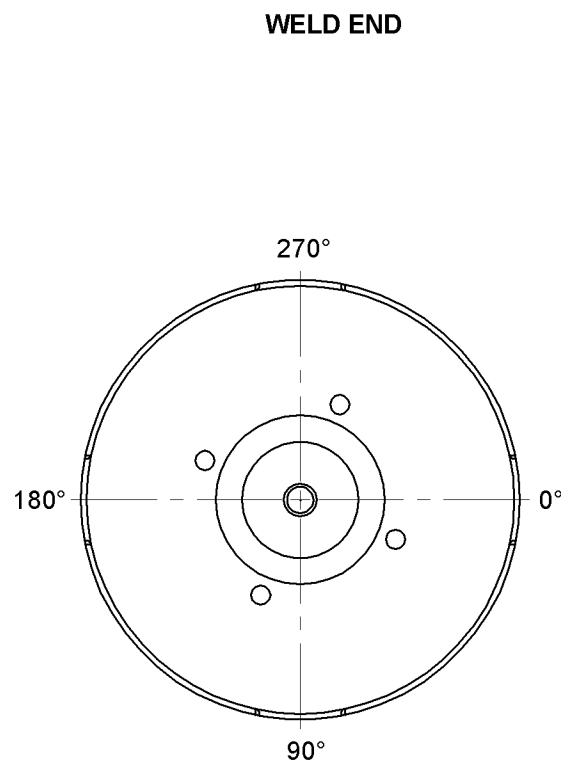
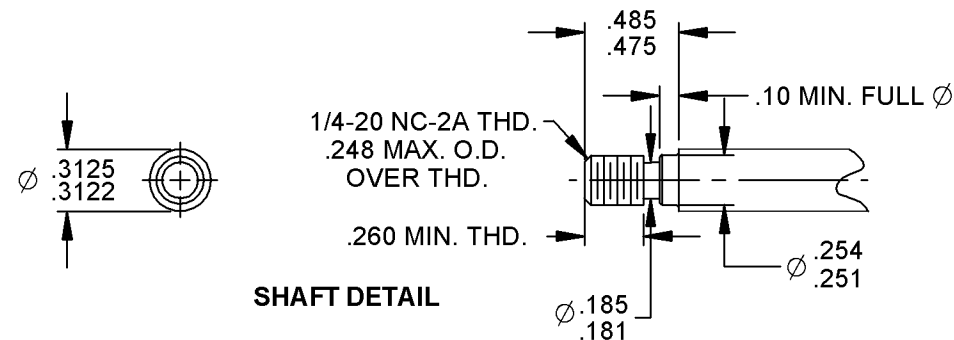
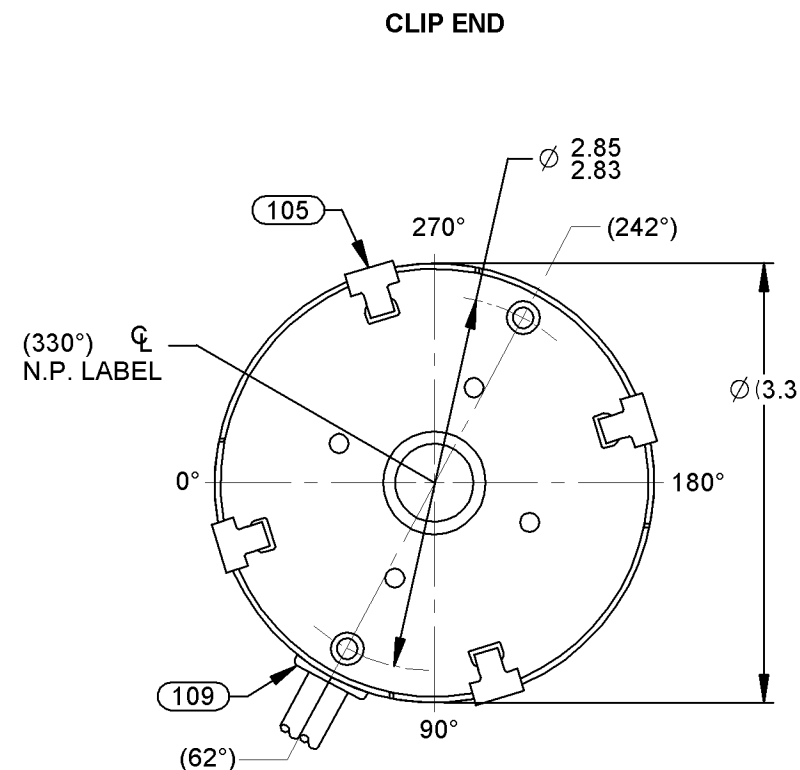
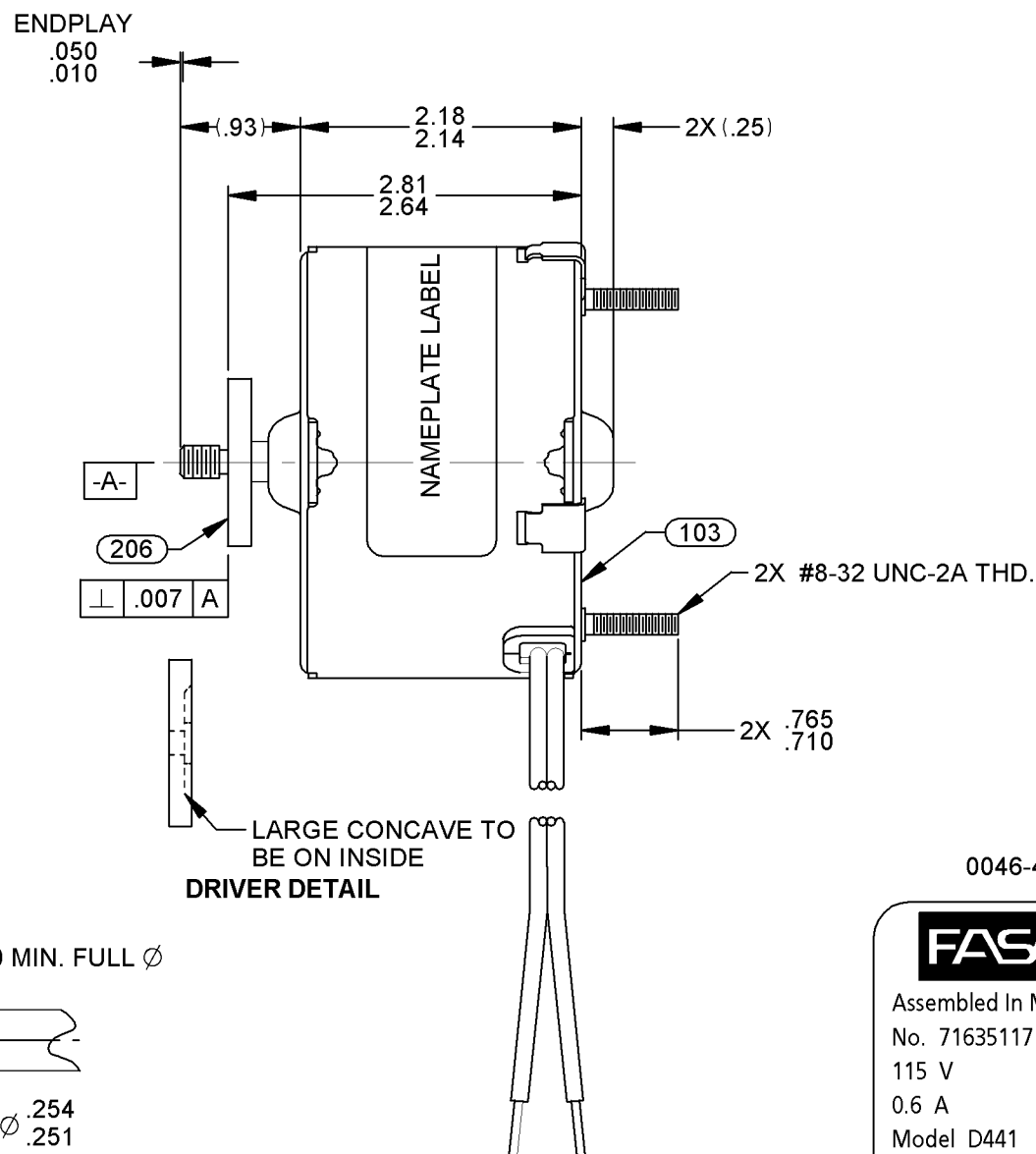


23	REVISED TO POWDER PAINT	SD 2-15-05	24	REVISED TO CURRENT STANDARDS	02/27/2008	25	REMOVE BAR CODE FROM NAMEPLATE.	C439974 SDM 08/27/10	STANDARD TOLERANCES: ANGULAR +/- 1 DEGREE 2 PLACE DECIMAL +/- .01 3 PLACE DECIMAL +/- .005
----	-------------------------	------------	----	------------------------------	------------	----	---------------------------------	-------------------------	---



ROTATION

LEAD MATERIAL
18 GA. 105°C 4/64 INS.
THERMO. SPT-3, 2 COND.
PARALLEL, BLACK
24.00/22.00 IN. LONG
W/1.75/1.50 IN. RIP
.56/.44 IN. STRIP



SHAFT DETAIL

- NOTES:
1. PACK 270 MOTORS MAX. PER PALLET.
2. SPEED NUT & RUBBER ISOLATOR TO BE SHIPPED WITH EACH MOTOR.
3. NO PACKING TAPE OVER CARTON LABELS.

0046-4072

0046-4282

FASCO Fasco Industries, Inc.
Motor Division

Assembled In Mexico

No. 71635117 TYPE U63B1 T.P. TEAO LR6319
115 V 60 Hz Class B
0.6 A 1550 RPM 1/80 HP
Model D441 Max Amb: 40°C



SAFETY WARNING

This Motor Must Be Grounded in Accordance With Local Or National Electrical Codes To Prevent Possible Injury Due To Electrical Shock

61299553

FRONT SHAFT POSITION	* TYPICAL PERFORMANCE AT 115 VOLTS 60 Hz.											CUSTOMER: FASCO DIST.	FASCO MOTORS GROUP AC MOTOR/BLOWER DIVISION									
HORIZONTAL	MOTOR SPEED	IDLE			LOADED			LOCKED			BREAK	PART NUMBER: D441						APPLICATION: DEHUMIDIFIER	CONFIDENTIAL: DO NOT DUPLICATE OR DISCLOSE TO THIRD PARTIES WITHOUT WRITTEN PERMISSION OF FASCO MOTORS GROUP, AC MOTOR/BLOWER DIVISION.			
UP DOWN		R.P.M.	AMP.	WATT	IN.OZ.	R.P.M.	AMP.	WATT	IN.OZ.	AMP.	WATT	IN.OZ.	MOTOR WEIGHT: 2.09 LBS.	MOTOR TYPE					DRAWING NUMBER			
CUSTOMER APPROVAL:		1727	.51	33	8.8	1550	.56	44	4.0	.78	64	11.3	ENVIRONMENT: DRY	SHADED POLE					7163 5117			
SIGNED:													FINISH COLOR: BLACK	REV. 25								
DATE:													DRAWN BY: J. TINDLE	B	LA	FR	A	S	C	E	B	A
													DATE DRAWN: 4-25-2002	00	63	30	T	01	HD	5	3	0