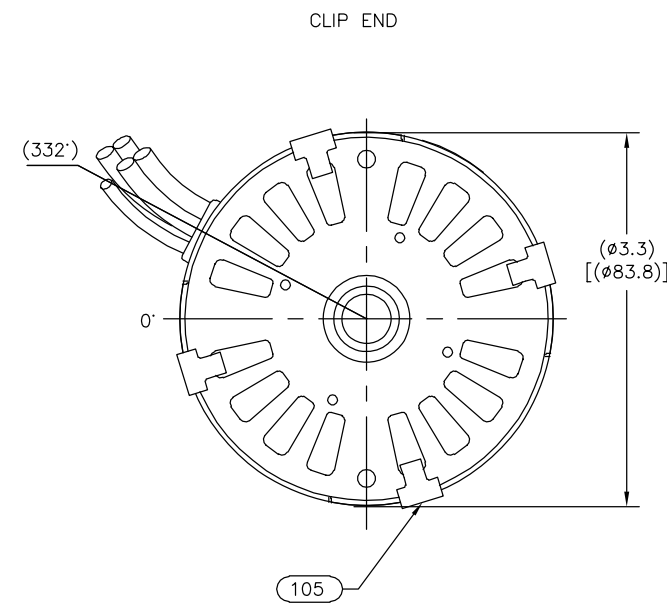
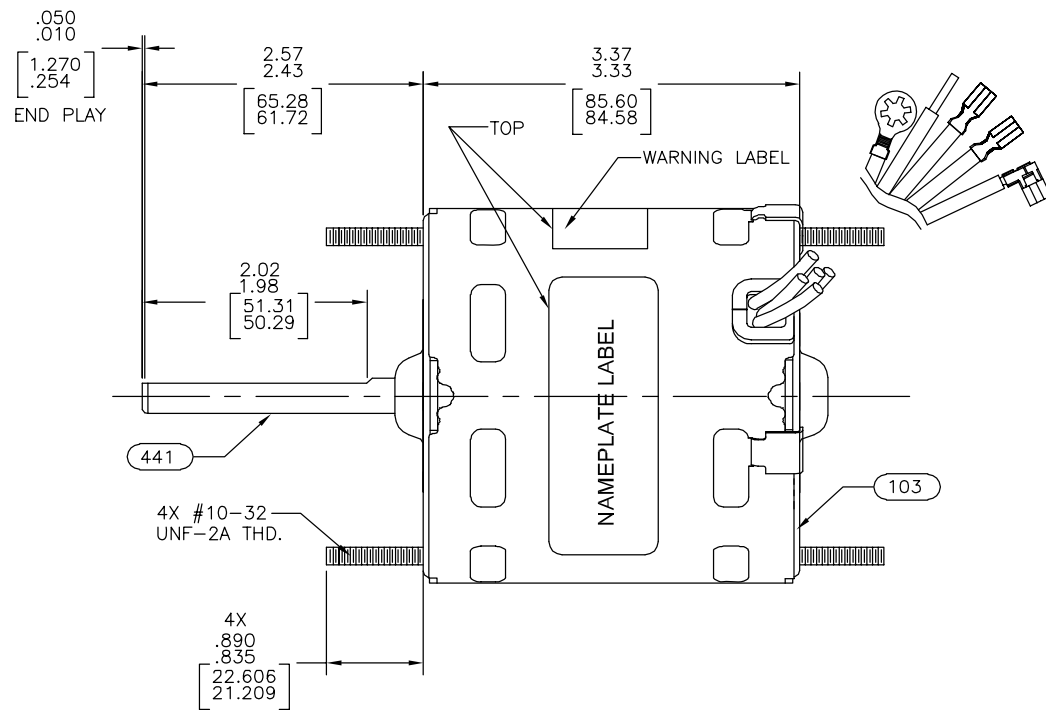
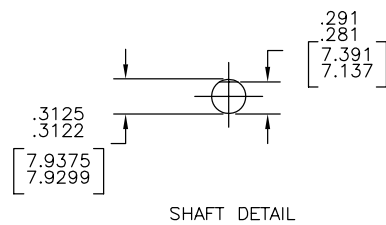


ROTATION



LEAD MATERIAL  
 18 GA. 125°C 2/64 INSUL.  
 X-LINKED POLY, (1) WHT,  
 16.00/14.00[406.40/355.60] LONG  
 .56/.44[14.22/11.18] STRIP  
 X-LINKED POLY, (1) BLK,  
 16.00/14.00[406.40/355.60] LONG  
 W/FFLAG TERM. 8903-4045  
 AMP 42742-2  
 X-LINKED POLY, (1) BLU,(1) RED,  
 16.00/14.00[406.40/355.60] LONG  
 W/FSPACE TERM. 8903-9008  
 AMP 42660-2

GROUND LEAD MATERIAL  
 18 GA. 125°C 2/64 INSUL.  
 X-LINKED POLY, GRN/YEL  
 13.00/11.00[330.20/279.40] LONG  
 W/RING TERM. 8902-0157  
 AMP 350436-2

- NOTES:  
 1. MOTOR HAS 416 S.S. SHAFT.  
 2. NO PACKAGING TAPE OVER CARTON LABEL.

6130 5568

**SAFETY WARNING**  
 This motor must be grounded in accordance with local or national electrical codes to prevent possible injury due to electrical shock

**AVERTISSEMENT DE SÉCURITÉ**  
 Ce moteur doit être fondée sur conformément à la réglementation locale ou national électrique codes pour prévenir d'éventuelles blessures en raison de choc électrique

00464537

**FASCO** Fasco Industries, Inc.  
 Motor Division

Assembled in Mexico  
 No. 71732160 TYPE U73B1 T.P. AO  
 115 V 60 Hz Class B  
 1.8 A 900 RPM 1/60 HP  
 Model D369 E40513  
 Three-Speed  
 Max Amb 40°C

00469111

Connection Diagram  
 Wht — Common  
 Blk — High  
 Blu — Med  
 Red — Low  
 Grm/Yel — Grd

APPLY IN A CONVENIENT LOCATION TO READ FROM CLIP END

CUSTOMER PN:	D369	ENVIRONMENT:	DAMP
CUSTOMER:	FASCO DIST.	APPLICATION:	COUNTER SALES
		MOTOR WEIGHT:	-

CUSTOMER APPROVAL	FRONT SHAFT POSITION	MOTOR TYPE	REFERENCE SAMPLE NUMBER
		SHADED POLE	X-0006267-3
SIGNED:	UP	B	LA
DATE:	HORIZONTAL	FR	A
	DOWN	S	C
		E	B
		A	

MOTOR SPEED	TYPICAL PERFORMANCE AT 115 VOLTS				60 HZ				LOCKED			BREAK
	RPM	AMP	WATT	IN OZ	RPM	AMP	WATT	IN OZ	AMP	WATT	IN OZ	
HIGH	1773	1.14	65	18.5	900	1.83	131	13.5	1.97	139	31.7	
MED	1773	.79	44	13.0	900	1.25	88	9.8	1.35	92	22.4	
LOW	1771	.58	32	9.6	900	.92	64	7.2	.99	66	16.6	

ORACLE REV. C

DRAWING REVISION: A.SUN DATE: 02-10-2015

ECO APPROVED BY: D.HUANG DATE: 02-10-2015

ECO DESCRIPTION: SEE ECO

COPYRIGHT REGAL BELOIT AMERICA, INC. ALL RIGHTS RESERVED. PROPRIETARY AND CONFIDENTIAL INFORMATION - THIS DOCUMENT IS THE PROPERTY OF REGAL BELOIT AMERICA, INC. (OWNER) AND CONTAINS OWNER'S PROPRIETARY INFORMATION. ANY PERSON, CORPORATION OR OTHER FIRM RECEIVING IT IS DEEMED BY RECEIVING IT, TO AGREE THAT IT, AND/OR ANY PART OF IT, SHALL NOT BE DISCLOSED TO ANY PERSON, CORPORATION OR OTHER ENTITY, DUPLICATED, AND/OR USED, EXCEPT AS EXPRESSLY APPROVED IN WRITING IN ADVANCE BY OWNER. THIS DOCUMENT SHALL BE RETURNED TO OWNER UPON REQUEST. IT MAY BE SUBJECT TO CERTAIN RESTRICTIONS UNDER APPLICABLE EXPORT CONTROL LAWS AND REGULATIONS.

DEC.	INCH	mm	ANGLE
X	±0.1	(±2.5)	±0.5°
.XX	±0.02	(±0.51)	
.XXX	±0.005	(±0.127)	
.XXXX	±0.0005	(±0.0127)	

REMOVE BURRS & BREAK SHARP EDGES .003/015 (0.076/381) CORNER FILLETS .02 (1.51) MACHINED SURFACES  $\frac{125}{\text{INCH}} \sqrt{\text{mm}^2}$  mm SHOWN IN [BRACKETS]

DRAWN BY: M.GU DATE: 06-27-2014

APPROVED BY: A.SUN DATE: 06-27-2014

REFERENCE: MODEL-SFHP-3.3 OUTLINE

MATERIAL: PROCESS/FINISH: BLACK PAINT

THIRD ANGLE PROJECTION

SIZE DWG NO: 71732160 SHEET: 1-2

D  
C  
B  
A

D  
C  
B  
A

4 3 2 1

4 3 2 1