

LEAD MATERIAL  
 18 GA. 125°C 2/64 INSUL.  
 X-LINKED POLYETHYLENE  
 19.00/17.00 [482.60/431.80]  
 W/FLAG TERMS.  
 AMP 42742-2

61305568

**SAFETY WARNING**  
 This motor must be grounded in accordance with local or national electrical codes to prevent possible injury due to electrical shock.

**AVERTISSEMENT DE SÉCURITÉ**  
 Ce moteur doit être fondée sur conformément à la réglementation locale ou nationale électrique codes pour prévenir d'éventuelles blessures en raison de choc électrique.

- NOTES:  
 1. MOTOR HAS 416 SS SHAFT.  
 2. NO PACKAGING TAPE OVER CARTON LABEL.

LOCATE IN A CONVENIENT LOCATION TO READ FROM BACK END

00464072 00469053

**FASCO** Fasco Industries, Inc. Motor Division

Assembled in Mexico

No. 71636388 TYPE U63B1 T.P. AO  
 115 V 60 Hz Class B  
 1550 RPM 2.7/2.1/1.7 A  
 Model D367 Max Amb: 40°C  
 1/10-1/15-1/30 HP LR6319

Connection Diagram  
 Wht — Common  
 Blk — High  
 Blu — Med  
 Red — Low

61299553

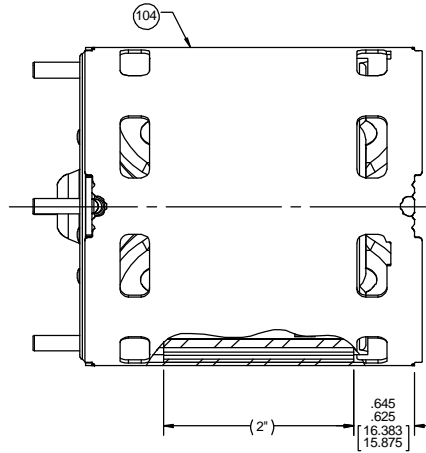
CUSTOMER:	FASCO DIST.	APPLICATION:	WINDOW AIR COND.
CUSTOMER PN:	D367	MOTOR WEIGHT:	5.19 LBS.
	ENVIRONMENT:		DAMP
MOTOR TYPE		REFERENCE SAMPLE	
SHADED POLE			
B	LA	FR	A
00	63	30	V
			08
			CC
			7
			3
			0
TYPICAL PERFORMANCE AT 115 VOLTS 60 HZ			
	IDLE		LOADED
MOTOR SPEED	RPM	AMP	WATT
HIGH	1779	1.99	106
MED	1779	1.40	81
LOW	1775	.98	59
			23.3
			1200
			1.48
			110
			13.9
			1.66
			117
			33.5

DRAWING REVISION AA	REVISION BY MLS	DATE 9/18/2017	TOLERANCES UNLESS OTHERWISE SPECIFIED: DEC. INCH mm ANGLE .X ±0.1 [±2.5] 1° .XX ±0.01 [±0.25] .XXX ±0.005 [±0.127] .XXXX ±0.0005 [±0.0127] REMOVE BURRS & BREAK SHARP EDGES: .003/.015 [0.076/.381] X 45° CORNER FILLETS: R. 02 [51] MACHINED SURFACES: .125/32 INCH/milv mm SHOWN IN [BRACKETS]	DRAWN BY MLS	DATE 9/18/2017	DESCRIPTION REGAL™ Regal Beloit America, Inc.
ECO-0131132	APPROVED BY SDM	DATE 9/18/2017	APPROVED BY SDM	DATE 9/18/2017	DESCRIPTION OUTLINE MOTOR ASSY	MATERIAL PROCESS/FINISH BLACK
ECO DESCRIPTION UPDATED SAFETY WARNING LABEL COPYRIGHT REGAL BELOIT AMERICA, INC. ALL RIGHTS RESERVED. PROPRIETARY AND CONFIDENTIAL INFORMATION. THIS DOCUMENT IS THE PROPERTY OF REGAL BELOIT AMERICA, INC. FORMER AND CONTAINS OWNERS PROPRIETARY INFORMATION. ANY PERSON, CORPORATION OR OTHER FIRM RECEIVING IT IS DEEMED BY RECEIVING IT, TO AGREE THAT IT, AND/OR ANY PART OF IT, SHALL NOT BE DISCLOSED TO ANY PERSON, CORPORATION OR OTHER ENTITY, DUPLICATED, AND/OR USED, EXCEPT AS EXPRESSLY APPROVED IN WRITING IN ADVANCE BY OWNER. THIS DOCUMENT SHALL BE RETURNED TO OWNER UPON REQUEST. IT MAY BE SUBJECT TO CERTAIN RESTRICTIONS UNDER APPLICABLE EXPORT CONTROL LAWS AND REGULATIONS.			THIRD ANGLE PROJECTION	SIZE C	DRAWING NUMBER 71636388	SHEET 1 OF 2

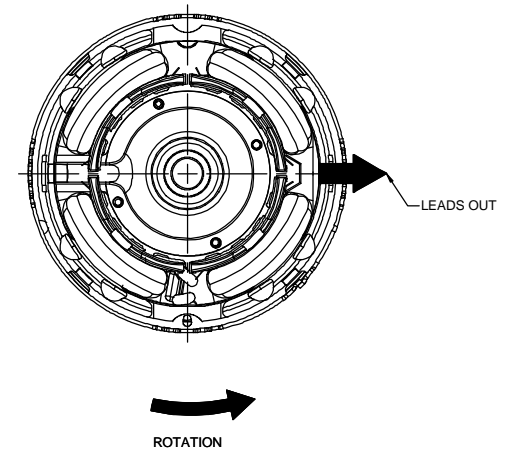
NOTES:

1. STAKE STATOR TO MAIN FRAME PER 88830264.
2. MAXIMUM TORQUE REQUIRED TO TURN MOTOR SHAFT IS 3/8 INCH-OUNCE.
3. MAKE-UP WASHERS ARE TO BE ADDED OR DELETED TO ACHIEVE REQUIRED ENDPLAY.

FRONT END



BACK END



PACKING SPECIFICATIONS

1. PACK PER 88834200. 1 PER CONTAINER, 7 LAYERS PER PALLET, 18 CONTAINERS PER LAYER, 126 MAX. PER PALLET.
2. PLACE (1) FILLER TUBE OVER EACH SHAFT EXTENSION. PLACE MOTOR IN CARTON, LEADS DOWN, CLOSE FLAPS AND TAPE. PLACE LABEL ON END OF CARTON.
3. PLACE (1) FLAT PAD ON PALLET AND (1) BETWEEN EACH LAYER. PLACE (1) FLAT PAD ON TOP LAYER OF PALLET BEFORE STRETCH WRAP.
4. CARTON LABELS MUST ALL FACE ONE DIRECTION TOWARD THE OPEN END OF THE PALLET. SEE 88834408.

DRAWING REVISION AA		REVISION BY MLS	DATE 9/18/2017	TOLERANCES UNLESS OTHERWISE SPECIFIED: DEC. INCH mm ANGLE		DRAWN BY	REGAL™ Regal Beloit America, Inc.	
ECO-0131132		APPROVED BY SDM	DATE 9/18/2017	.X ±0.1 [±2.5] ±1°	.XX ±0.01 [±0.25]	DATE 9/18/2017	DESCRIPTION <b>OUTLINE MOTOR ASSY</b>	
ECO DESCRIPTION UPDATED SAFETY WARNING LABEL COPYRIGHT REGAL BELOIT AMERICA, INC. ALL RIGHTS RESERVED.				.XXX ±0.005 [±0.127]	.XXXX ±0.0005 [±0.0127]	APPROVED BY SDM	MATERIAL	
PROPRIETARY AND CONFIDENTIAL INFORMATION. THIS DOCUMENT IS THE PROPERTY OF REGAL BELOIT AMERICA, INC. FORMERLY AND CONTAINS OWNERS PROPRIETARY INFORMATION. ANY PERSON, CORPORATION OR OTHER FIRM RECEIVING IT IS DEEMED BY RECEIVING IT, TO AGREE THAT IT, AND/OR ANY PART OF IT, SHALL NOT BE DISCLOSED TO ANY PERSON, CORPORATION OR OTHER ENTITY, DUPLICATED, AND/OR USED, EXCEPT AS EXPRESSLY APPROVED IN WRITING IN ADVANCE BY OWNER. THIS DOCUMENT SHALL BE RETURNED TO OWNER UPON REQUEST. IT MAY BE SUBJECT TO CERTAIN RESTRICTIONS UNDER APPLICABLE EXPORT CONTROL LAWS AND REGULATIONS.				REMOVE BURRS & BREAK SHARP EDGES: .0031 .015 [0.078/.381] X 45°	CORNER FILLETS: R.02 [.51]	DATE 9/18/2017	PROCESS/FINISH BLACK	
				MACHINED SURFACES: .125/3.2 INCH/milv	mm SHOWN IN [BRACKETS]	REFERENCE	SIZE C	DRAWING NUMBER <b>71636388</b>
						THIRD ANGLE PROJECTION	SHEET 2 OF 2	