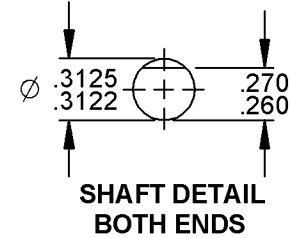
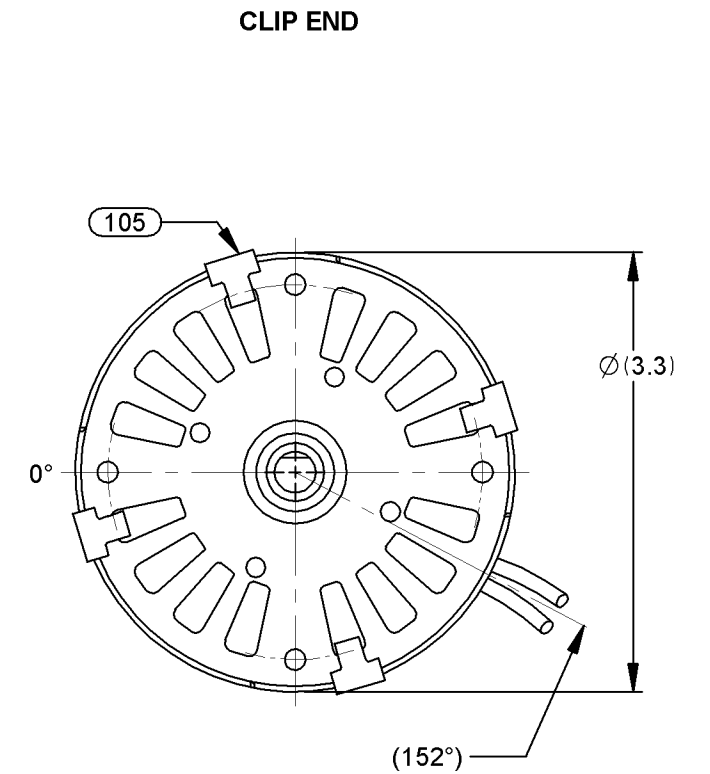
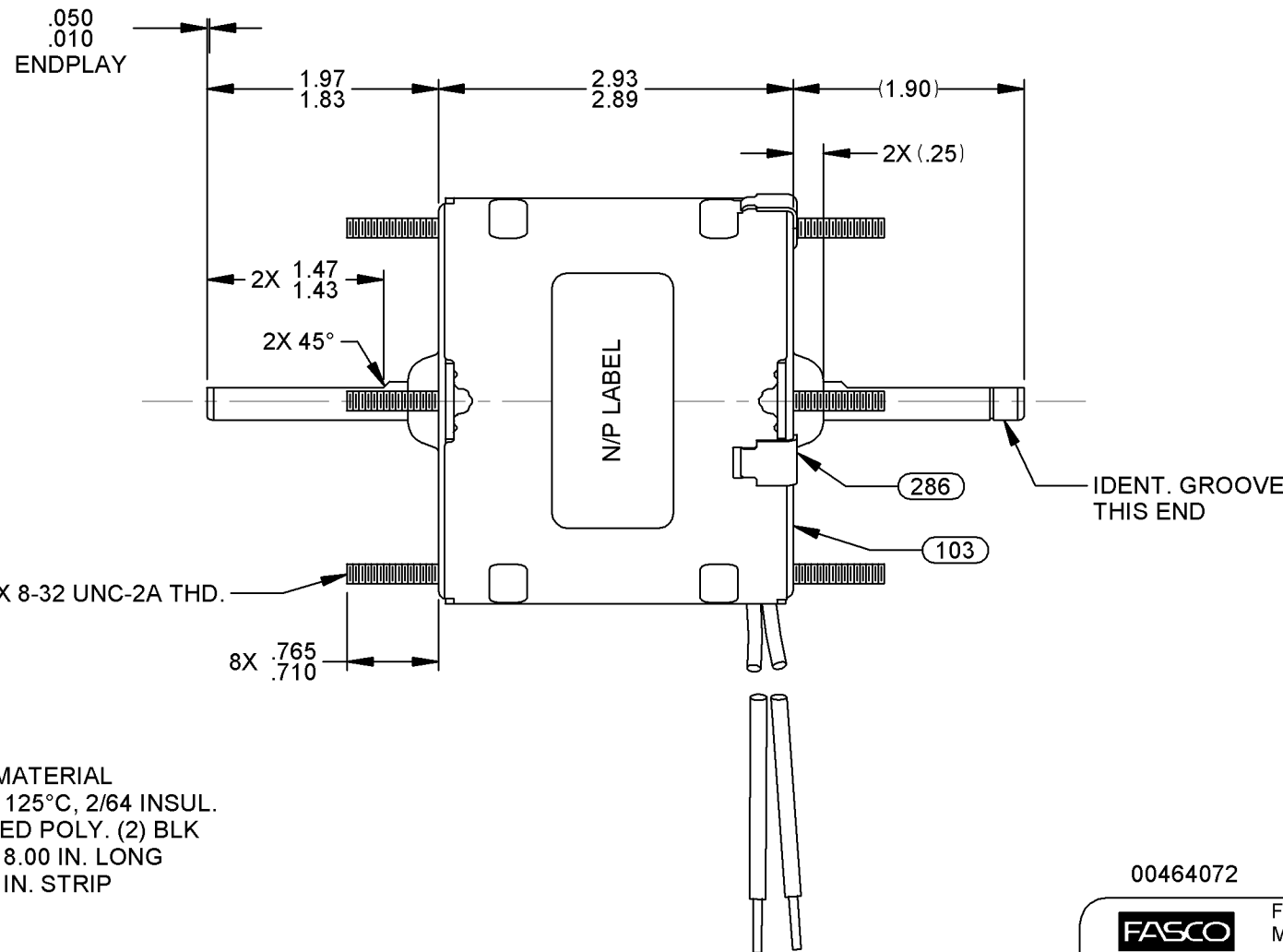
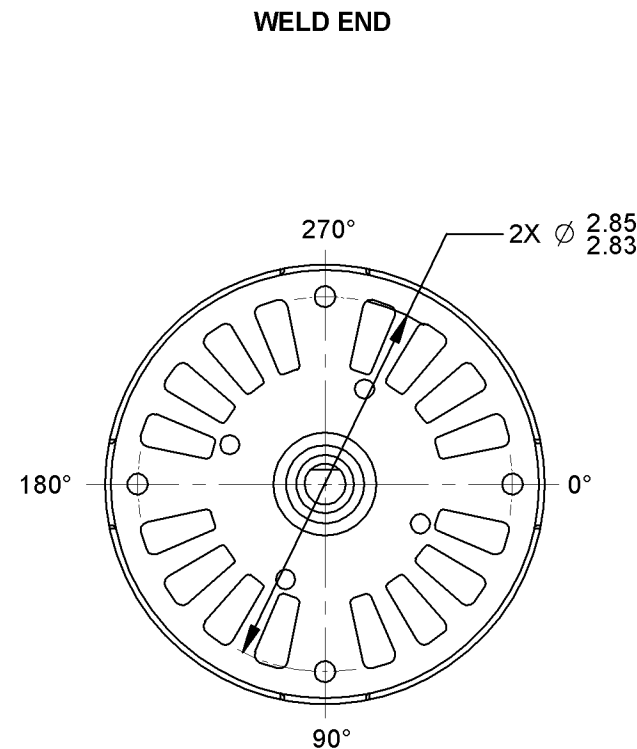


04	REVISED LABEL LAYOUT, REVISED TO CLINCH STUDS, REVISED NOTES TO STANDARD'S	VLL 10-11-07	05	REVISED PACKING, REMOVED BARCODE FROM N/P	BP 07/28/2010	06	REMOVED ROTATION ARROW ON N/P AND PUT IN WORDS	4004733 BGP 2/28/12	STANDARD TOLERANCES: ANGULAR +/- 1 DEGREE 2 PLACE DECIMAL +/- .01 3 PLACE DECIMAL +/- .005
----	--	--------------	----	---	---------------	----	--	------------------------	---



LEAD MATERIAL  
18 GA. 125°C, 2/64 INSUL.  
X-LINKED POLY. (2) BLK  
20.00/18.00 IN. LONG  
.56/.44 IN. STRIP

- NOTES:
1. PACK 270 MAX. MOTORS PER PALLET.
  2. NO PACKING TAPE OVER CARTON LABEL.

00464072 00464282

**FASCO** Fasco Industries, Inc.  
Motor Division

Assembled In Mexico

No. 71637648 TYPE U63B1 T.P. AO LR6319

115 V 60/50 Hz Class B

1.8 A 1550 RPM 1/25 HP

Model D364 Max Amb: 40°C

Rot: CWLE (1 spd.)

**SAFETY WARNING**

This Motor Must Be Grounded in Accordance With Local Or National Electrical Codes To Prevent Possible Injury Due To Electrical Shock

61299553

FRONT SHAFT POSITION	* TYPICAL PERFORMANCE AT 115 VOLTS 60/50 Hz.												CUSTOMER: FASCO DIST.	<b>FASCO</b> FASCO MOTORS GROUP AC MOTOR/BLOWER DIVISION									
HORIZONTAL	MOTOR SPEED	IDLE			LOADED			LOCKED			BREAK	PART NUMBER: D364	CONFIDENTIAL: DO NOT DUPLICATE OR DISCLOSE TO THIRD PARTIES WITHOUT WRITTEN PERMISSION OF FASCO MOTORS GROUP, AC MOTOR/BLOWER DIVISION.										
UP DOWN	50 Hz	R.P.M.	AMP.	WATT	IN.OZ.	R.P.M.	AMP.	WATT	IN.OZ.	AMP.	WATT	IN.OZ.	APPLICATION:	MOTOR TYPE			DRAWING NUMBER						
	60 Hz	1456	1.97	105	36.9	1300	2.00	139	19.2	2.74	217	51.4	MOTOR WEIGHT: 3.31 LBS.	SHADED POLE			7163 7648						
CUSTOMER APPROVAL:	60 Hz	1763	1.46	81	34.8	1550	1.71	127	15.7	2.49	184	41.6	ENVIRONMENT: DRY	B	LA	FR	A	S	C	E	B	A	REV.
SIGNED:													DRAWN BY: S. DALTON	00	63	30	V	05	OH	5	3	0	06
DATE:													DATE DRAWN: 3-6-2002										