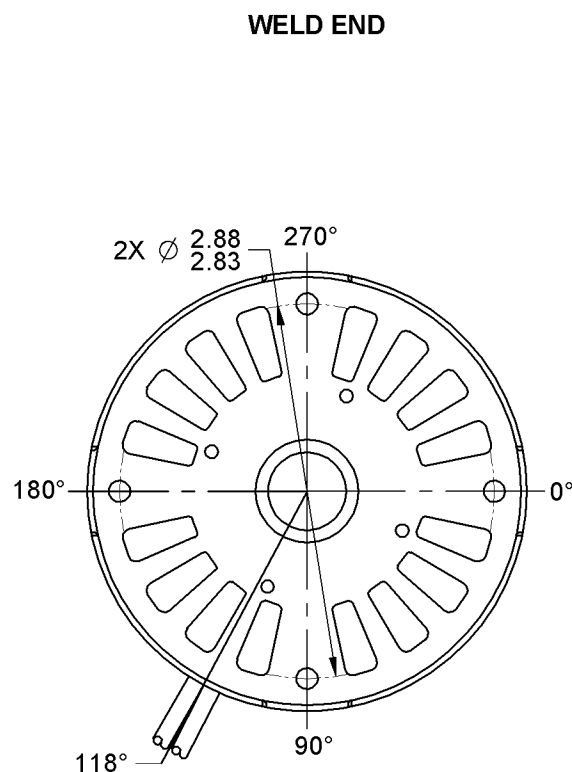
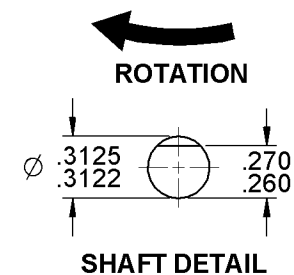
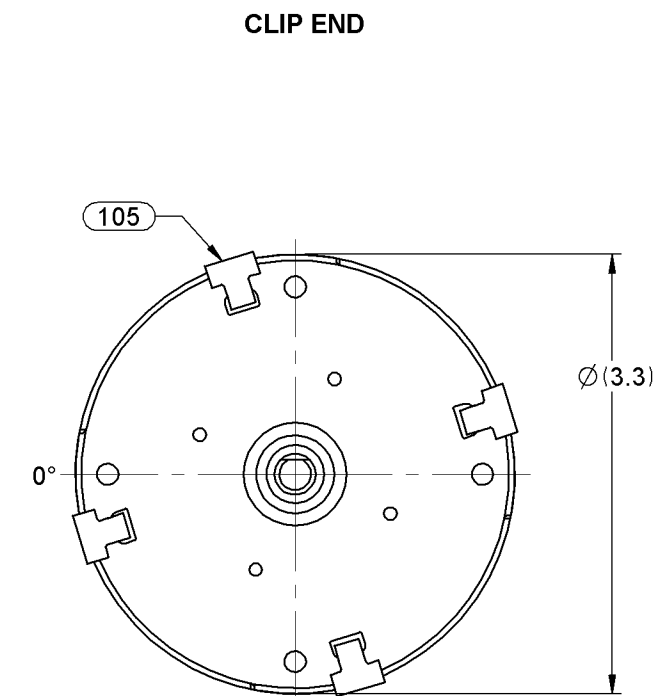
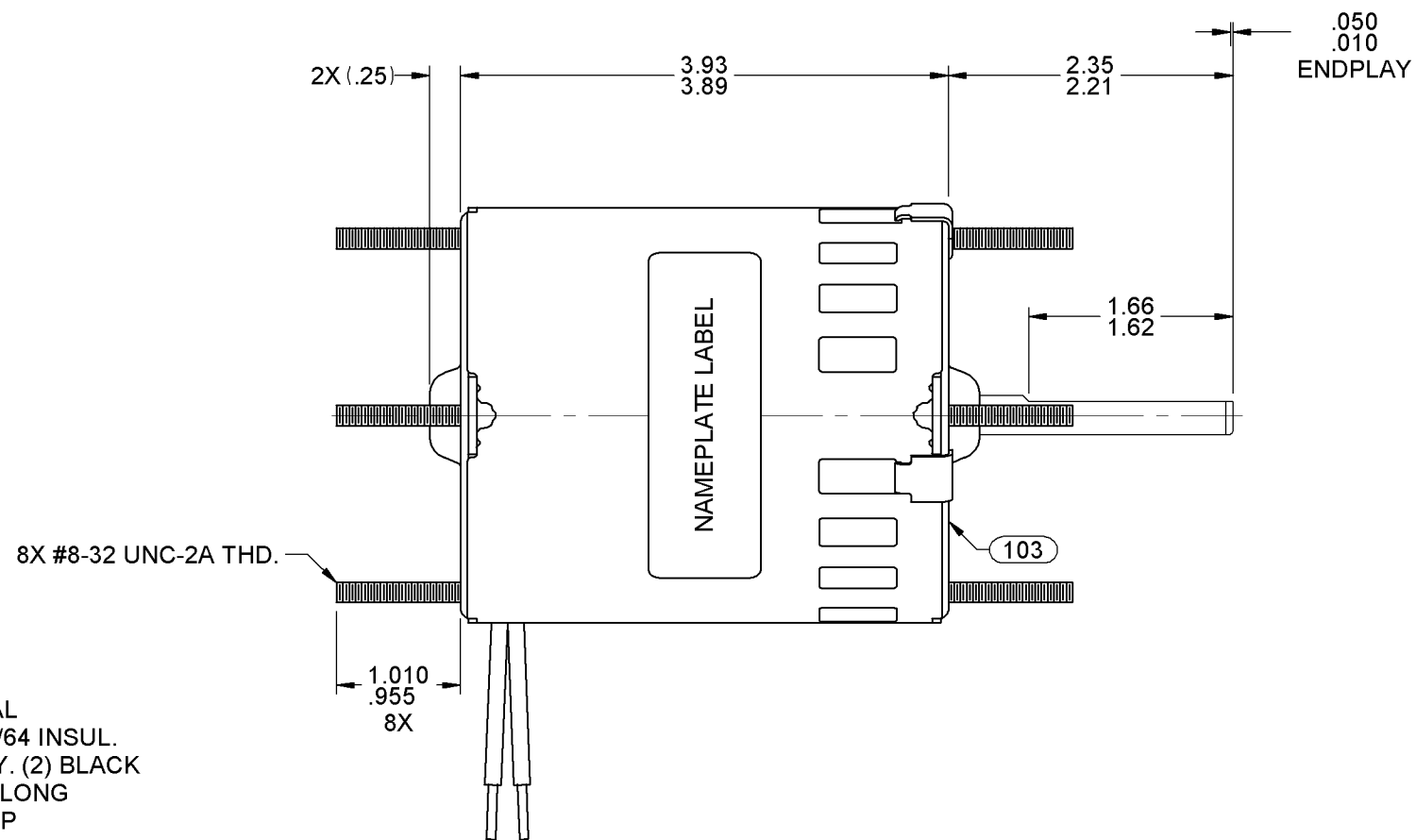


17	REVISED TO POWDER PAINT	SD 03/08/05	18	CHANGED N/P FORMAT, REVISED STUD LENGTH	PLA 02/25/08	19	CHANGE N/P TO MATCH N/P LABEL LAYOUT.	SDM 02/02/10	STANDARD TOLERANCES: ANGULAR +/- 1 DEGREE 2 PLACE DECIMAL +/- .01 3 PLACE DECIMAL +/- .005
----	-------------------------	-------------	----	---	--------------	----	---------------------------------------	--------------	---



LEAD MATERIAL
18 GA. 125°C 2/64 INSUL.
X-LINKED POLY. (2) BLACK
14.00/12.00 IN. LONG
.56/.44 IN. STRIP



0046-4072

0046-4282

FASCO	Fasco Industries, Inc. Motor Division			SAFETY WARNING		
Assembled in Mexico		This Motor Must Be Grounded in Accordance With Local Or National Electrical Codes To Prevent Possible Injury Due To Electrical Shock				
No. 71633325	TYPE U63B1				T.P. AO	LR6319
230 V	60/50 Hz				Class B	
0.5 A	1550/1300 RPM				1/40 HP	Max Amb: 40°C
Model D330						

61299553

NOTES:

PACK 270 MAX. MOTOR PER PALLET.

FRONT SHAFT POSITION	TYPICAL PERFORMANCE AT 230 VOLTS 60 Hz.											CUSTOMER: FASCO DIST.	FASCO MOTORS GROUP AC MOTOR/BLOWER DIVISION CONFIDENTIAL: DO NOT DUPLICATE OR DISCLOSE TO THIRD PARTIES WITHOUT WRITTEN PERMISSION OF FASCO MOTORS GROUP, AC MOTOR/BLOWER DIVISION.									
HORIZONTAL 	MOTOR SPEED	IDLE			LOADED			LOCKED			BREAK	PART NUMBER: D330										
		R.P.M.	AMP.	WATT	IN.OZ.	R.P.M.	AMP.	WATT	IN.OZ.	AMP.	WATT	IN.OZ.		MOTOR TYPE					DRAWING NUMBER			
CUSTOMER APPROVAL:													SHADED POLE					7163 3325				
SIGNED:													B	LA	FR	A	S	C	E	B	A	REV.
DATE:													00	63	30	F	06	FA	5	3	0	19