

NOTES:

1. THRU AIR SPACING BETWEEN WIRE AND METAL .094 MIN.
2. TIE BOLT TORQUE TOLERANCE 7-12 IN. LBS.
3. FOR WASHER SET-UP, SEE CHART C600 0279, DETAIL "A".
4. SALES TO SPECIFY ON P.O. WHICH PACK TO USE.

ECO	REV.	DATE	SPEC/CHECK
630717	5	2-10-03	LDC/RWS
638653	6	9-22-08	MKR/MKR
639420	7	4-8-09	LDC/LDC
642628	8	12-01-11	GAE/GAE

71xx xxx,R
71xx xxxC
71xx xxxZ

A. SEE PACKAGING MANUAL PAGE 2 FOR PACKAGING PROCEDURES.

1 MOTOR/CARTON;
10 MOTORS/LAYER;
5 LAYERS/PALLET;
50 MOTORS/PALLET.

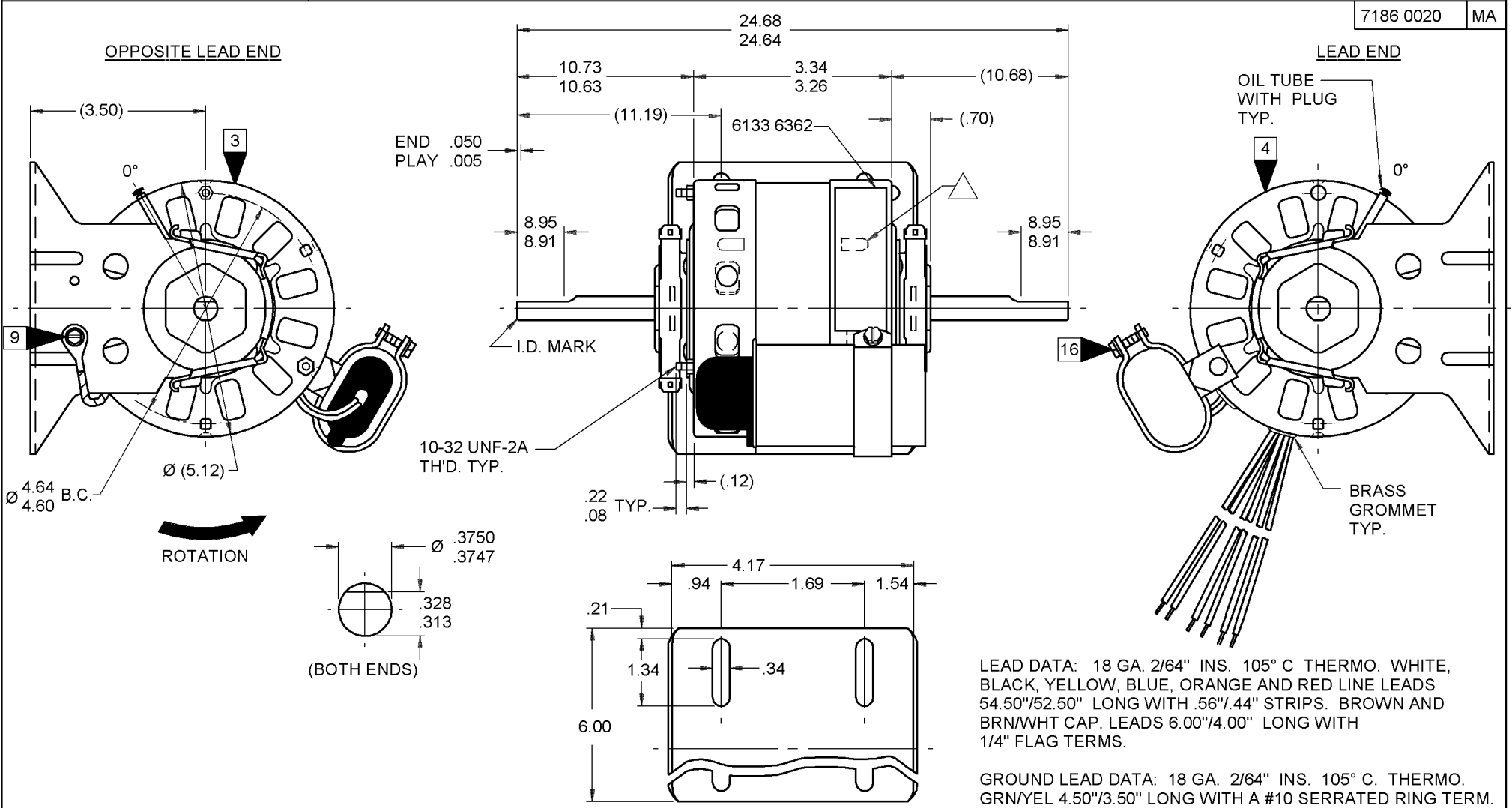
B. SEE DRAWING 8785 6079 SH. 2 FOR PALLET LAYOUT.

C. CENTER LABEL, 6119 6230, ON END OF CARTON.

D. PLACE PAMPHLET, 6122 4579, IN CARTON WITH MOTOR.

PRODUCTION TEST AT IDLE 115 VOLTS 60 HZ		MOTOR SPEED	PERFORMANCE TEST 115 VOLTS 60 HZ 1 PH 1/10 HP CAP. 6 MFD 370 VAC										
AMP	WATT		IDLE			LOADED				LOCKED			BREAK
			RPM	AMP	WATT	OZ/IN	RPM	AMP	WATT	OZ/IN	AMP	WATT	OZ/IN
.85 — .69	86.9 — 71.1	HIGH	1190	.77	79	92.0	1050	1.31	144	51.0	2.10	223	106.0
.63 — .51	66.0 — 54.0	MED. HI	1188	.57	60	66.0	1050	.98	105	37.0	1.62	168	77.0
.50 — .41	52.8 — 43.2	MED.	1187	.45	48	51.0	1050	.77	82	31.0	1.31	131	62.0
.41 — .33	44.0 — 36.0	MED. LO	1184	.37	40	39.0	1050	.61	64	23.0	1.05	101	48.0
.35 — .29	37.4 — 30.6	LOW	1182	.32	34	31.0	1050	.51	52	19.0	.88	82	39.0

HI-POT TEST 2000 VOLTS
MAX LEAKAGE CURRENT 5 mA



FASCO FASCO INDUSTRIES, INC. MOTOR DIVISION ASSEMBLED IN MEXICO

V. 115 HZ 60 PH 1 INS CL B TYPE U186B1 ROT →

HP 1/10-1/20-1/25-1/35-1/50 RPM 1050 (5 SPD)

AMP 1.3-1.0-.7-.6-.5 AO 40° C AMB NO. 7186-0020

CAP 6 MFD 370 VAC THERMALLY PROTECTED

SAFETY WARNING
THIS MOTOR MUST BE GROUNDED IN ACCORDANCE WITH LOCAL OR NATIONAL ELECTRICAL CODES TO PREVENT POSSIBLE INJURY DUE TO ELECTRICAL SHOCK

MODEL D294 DATE/BAR CODE AREA PER 8882 6003

CONNECTION DIAGRAM
BROWN ——— CAPACITOR
BRN/WHT ——— LINE
WHITE ——— LINE
BLACK-HI ——— LINE
YELLOW-MED HI ——— LINE
BLUE-MED ——— LINE
ORANGE-MED LOW ——— LINE
RED-LOW ——— LINE

SPECIAL INSTRUCTIONS: SHAFT IS BONDERIZED. FLATS TO BE PARALLEL WITHIN ± 20°.

ROTATE MOTOR 120° CWLE IN BASE, AS SHOWN. TOP OF SAFETY BOOT ON CAPACITOR MUST BE APPROXIMATELY FLUSH WITH O.L.E. FACE OF MOTOR, AS SHOWN. △ LANCE MUST BE COMPLETELY COVERED BY NAMEPLATE. PAMPHLET PACKED WITH MOTOR.

MOTORS PACKED MAX. PER SKID: ___ PALLET PACK, ___ CARTON PACK, ___ TRAY PACK.

CUSTOMER: FASCO DISTRIBUTING CO. PROPRIETARY: DO NOT DUPLICATE OR DISCLOSE TO THIRD PARTIES WITHOUT WRITTEN PERMISSION OF FASCO IND. INC., ELDON MO.

FASCO INDUSTRIES, INC. MOTOR DIVISION ELDON PLANT

PART NUMBER: D294

APPLICATION: DIST. SALES

FINISH COLOR: GRAY

MOTOR WEIGHT: 7.85 LBS.

ENVIRONMENT: DRY

INSULATION CLASS: B

MOTOR TYPE P.S.C.

B	LA	FR	A	S	C	E	B	A
00	86	12	V	04	AB	9	6	0

MOTOR NUMBER 7186 0020 R

REV. 8

6133 6362,R REV. 4

LOCATE EDGE OF NAMEPLATE .05 FROM EDGE OF LEAD END COVER TO READ RIGHT FROM LEAD END OF MOTOR. CENTER AT 270° CWLE.

SIZE 3.50 X 1.00

If Printed, this is an Uncontrolled Document