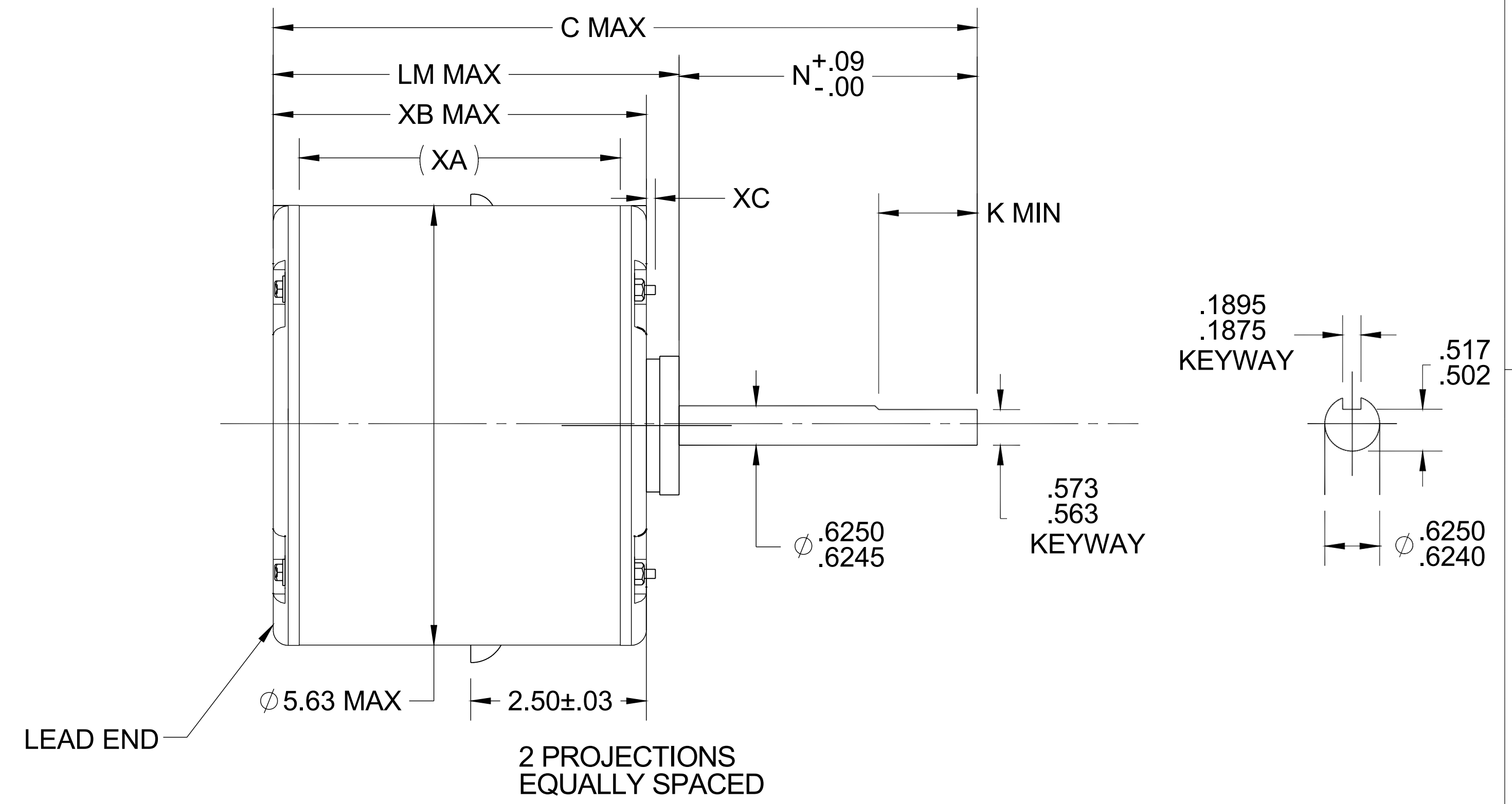
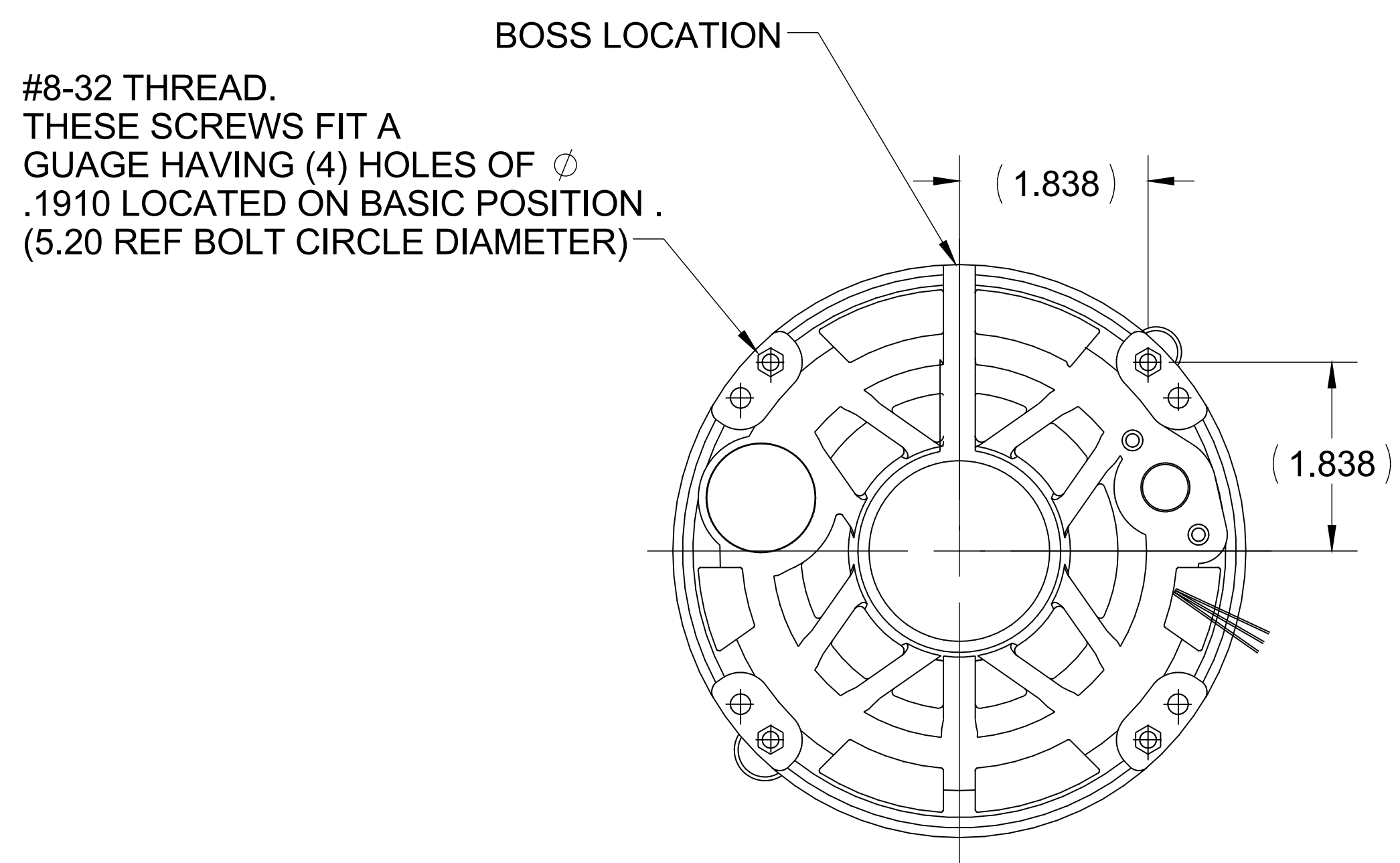


S.NO	CONNECTION	COLOR	EXIT TYPE	EXIT LOC (VIEWING LE)	GAGE	MATERIAL	WALL THK.	LENGTH	TERMINATION	NAMEPLATE DATA	
										MODEL	5KCP39UFWD72AS
1	COMMON LEAD	PURPLE	E/S VENT	3:20	18	VULKENE	2/64	97.00	.25 SQC PREMIER	CUST. P/N	D2852
2	REV LEAD	YELLOW	E/S VENT	3:20	18	VULKENE	2/64	5.00	.25 MALE ISQC	HP	1-3/4
3	CAPACITOR LEAD	BRN/WHT	E/S VENT	3:20	18	VULKENE	2/64	97.00	.25 SQC PREMIER	RPM	1075
4	REV LEAD	ORANGE	E/S VENT	3:20	18	VULKENE	2/64	5.00	.25 MALE ISQC	VOLTS	208-230/460
5	CAPACITOR LEAD	BROWN	E/S VENT	3:20	18	VULKENE	2/64	97.00	.25 SQC PREMIER	HZ	60
6	REV LEAD	BROWN	E/S VENT	3:20	18	VULKENE	2/64	5.00	.25 ISQC LO INS FORCE	SPEEDS	1
7	DUAL VOLTAGE LEAD	BLACK	E/S VENT	3:20	18	VULKENE	2/64	97.00	.25 SQC PREMIER	AMPS	1.90
8	DUAL VOLTAGE LEAD	YELLOW	E/S VENT	3:20	18	VULKENE	2/64	97.00	.25 SQC PREMIER	CAP. REQ'D-D1	25.00 µfd/370 Volts
9	DUAL VOLTAGE LEAD	RED	E/S VENT	3:20	18	VULKENE	2/64	97.00	.25 SQC PREMIER	CAP. REQ'D-D2	N/R
10	DUAL VOLTAGE LEAD	BLUE	E/S VENT	3:20	18	VULKENE	2/64	97.00	.25 SQC PREMIER	CONN.DRW#	NP24X350100
11	REV LEAD	PURPLE	E/S VENT	3:20	18	VULKENE	2/64	5.00	.25 ISQC LO INS FORCE	ROTATION	CCW/CW(VIEW FROM LE)



NOTE:
 1) DIMENSIONS SHOWN ARE NOMINAL UNLESS OTHERWISE SPECIFIED.
 2) NAME PLATE LABEL LOCATION : 90° - CENTER - READ FROM LE.

VENTILATION SYSTEM	
SHELL VENTS	CLOSED
ENDSHIELD (OPP.LEAD END)	OPEN
ENDSHIELD (LEAD END)	OPEN

DRAWING REVISION B	REVISION BY SN	DATE 10/05/2015
ECO ECO-0086293	APPROVED BY KEP	DATE 10/05/2015
ECO DESCRIPTION UPDATED AS PER ECO		
<small>COPYRIGHT REGAL BELOIT AMERICA, INC. ALL RIGHTS RESERVED. PROPRIETARY AND CONFIDENTIAL INFORMATION - THIS DOCUMENT IS THE PROPERTY OF REGAL BELOIT AMERICA, INC. ("OWNER") AND CONTAINS OWNER'S PROPRIETARY INFORMATION. ANY PERSON, CORPORATION OR OTHER FIRM RECEIVING IT IS DEEMED, BY RECEIVING IT, TO AGREE THAT IT, AND/OR ANY PART OF IT, SHALL NOT BE DISCLOSED TO ANY PERSON, CORPORATION OR OTHER ENTITY, DUPLICATED, AND/OR USED, EXCEPT AS EXPRESSLY APPROVED IN WRITING IN ADVANCE BY OWNER. THIS DOCUMENT SHALL BE RETURNED TO OWNER UPON REQUEST. IT MAY BE SUBJECT TO CERTAIN RESTRICTIONS UNDER APPLICABLE EXPORT CONTROL LAWS AND REGULATIONS.</small>		

TOLERANCES UNLESS OTHERWISE SPECIFIED:			
DEC.	INCH	mm	ANGLE
.X	±0.1	[±2.5]	±7' 30"
.XX	±0.03	[±0.76]	
.XXX	±0.005	[±0.127]	
.XXXX	±0.0005	[±0.0127]	
REMOVE BURRS & BREAK SHARP EDGES: .003/.015 [.076/.381] CORNER FILLETS: .02 [.51] MACHINED SURFACES: 200 INCH/mm 5.1			
mm SHOWN IN [BRACKETS]			

DRAWN BY PR	DATE 06/17/2015
APPROVED BY MVN	DATE 06/17/2015
REFERENCE	
THIRD ANGLE PROJECTION	

REGAL ™ Regal Beloit America, Inc.	
DESCRIPTION OUTLINE (CUST. NAME: DEF PUR)	
MATERIAL	PROCESS/FINISH
SIZE B	DRAWING NUMBER 5KCP39UFWD72AS
	SHEET 1 OF 1

10.21	3.25	1.32	6.89	.14	N/R
C	N	K	LM	XC	XD
				5.82	6.48
				XA	XB