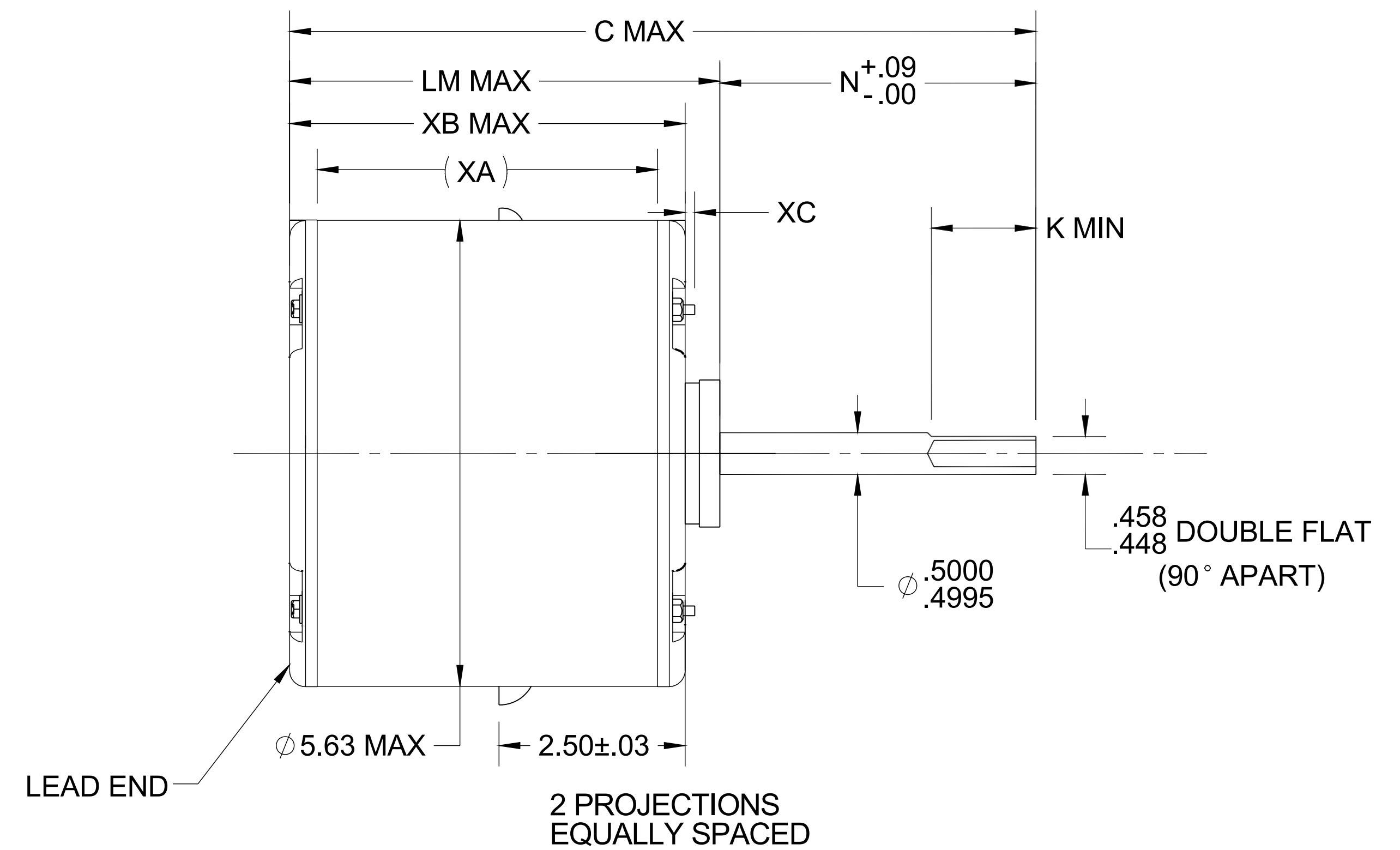
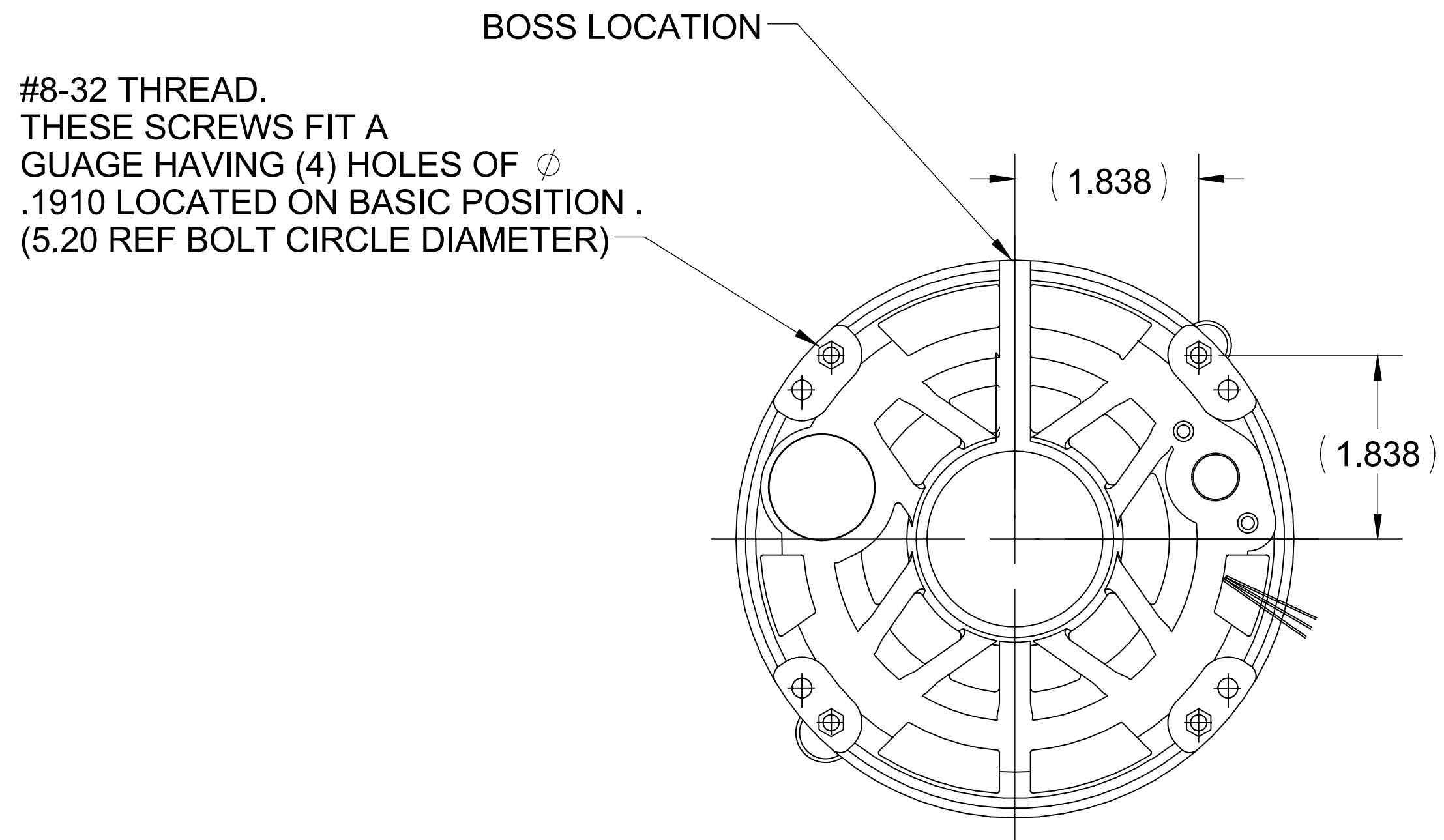


S.NO	CONNECTION	COLOR	EXIT TYPE	EXIT LOC (VIEWING LE)	GAGE	MATERIAL	WALL THK.	LENGTH	TERMINATION	NAMEPLATE DATA	
										MODEL	5KCP39UFWD74S
1	COMMON LEAD	YELLOW	E/S VENT	3:20	18	VULKENE	2/64	97.00	.25 SQC	CUST. P/N	D2850
2	CAPACITOR LEAD	RED	E/S VENT	3:20	18	VULKENE	2/64	97.00	.25 SQC	HP	1-3/4
3	DUAL VOLTAGE LEAD	ORANGE	E/S VENT	3:20	18	VULKENE	2/64	97.00	.25 SQC	RPM	1125/950
4	DUAL VOLTAGE LEAD	BROWN	E/S VENT	3:20	18	VULKENE	2/64	97.00	.25 SQC	VOLTS	208-230/460
5	DUAL VOLTAGE LEAD	PURPLE	E/S VENT	3:20	18	VULKENE	2/64	97.00	.25 SQC	HZ	60/50
6	DUAL VOLTAGE LEAD	WHITE	E/S VENT	3:20	18	VULKENE	2/64	97.00	.25 SQC	SPEEDS	1
										AMPS	3.95/ 2.10
										CAP. REQ'D-D1	25.00 µfd/370 Volts
										CAP. REQ'D-D2	N/R
										CONN.DRW#	NP24X327426
										ROTATION	CCW (VIEW FROM LE)



NOTE:  
 1) DIMENSIONS SHOWN ARE NOMINAL UNLESS OTHERWISE SPECIFIED.  
 2) NAME PLATE LABEL LOCATION :90° - OPP.LEAD END - READ FROM LE.

	.14	N/R				
	XC	XD				
9.88	2.92	1.50	N/A	6.89	5.82	6.48
C	N	K	XK	LM	XA	XB

DRAWING REVISION G		REVISION BY SN	DATE 09/08/2015	TOLERANCES UNLESS OTHERWISE SPECIFIED: DEC. INCH mm ANGLE .X ±0.1 [±2.5] ±7' 30" .XX ±0.03 [±0.76] .XXX ±0.005 [±0.127] .XXXX ±0.0005 [±0.0127] REMOVE BURRS & BREAK SHARP EDGES: .003/.015 [.076/.381] CORNER FILLETS: .02 [.51] MACHINED SURFACES: 200 INCH mm 5.1 mm SHOWN IN [BRACKETS]	DRAWN BY SSB	Regal Beloit America, Inc.	
ECO-0084781		APPROVED BY KEP	DATE 09/08/2015		DATE 07/17/2014		DESCRIPTION <b>OUTLINE</b> (CUST. NAME: FASCO IND)
ECO DESCRIPTION UPDATED AS PER ECO-0084781		COPYRIGHT REGAL BELOIT AMERICA, INC. ALL RIGHTS RESERVED. PROPRIETARY AND CONFIDENTIAL INFORMATION - THIS DOCUMENT IS THE PROPERTY OF REGAL BELOIT AMERICA, INC. ("OWNER") AND CONTAINS OWNER'S PROPRIETARY INFORMATION. ANY PERSON, CORPORATION OR OTHER FIRM RECEIVING IT IS DEEMED, BY RECEIVING IT, TO AGREE THAT IT, AND/OR ANY PART OF IT, SHALL NOT BE DISCLOSED TO ANY PERSON, CORPORATION OR OTHER ENTITY, DUPLICATED, AND/OR USED, EXCEPT AS EXPRESSLY APPROVED IN WRITING IN ADVANCE BY OWNER. THIS DOCUMENT SHALL BE RETURNED TO OWNER UPON REQUEST. IT MAY BE SUBJECT TO CERTAIN RESTRICTIONS UNDER APPLICABLE EXPORT CONTROL LAWS AND REGULATIONS.		DATE 07/17/2014	MATERIAL	PROCESS/FINISH	
VENTILATION SYSTEM SHELL VENTS CLOSED ENDSHIELD (OPP.LEAD END) OPEN ENDSHIELD (LEAD END) OPEN				REFERENCE	SIZE B	DRAWING NUMBER 5KCP39UFWD74S	SHEET 1 OF 1

4

3

2

1

4

3

2

1