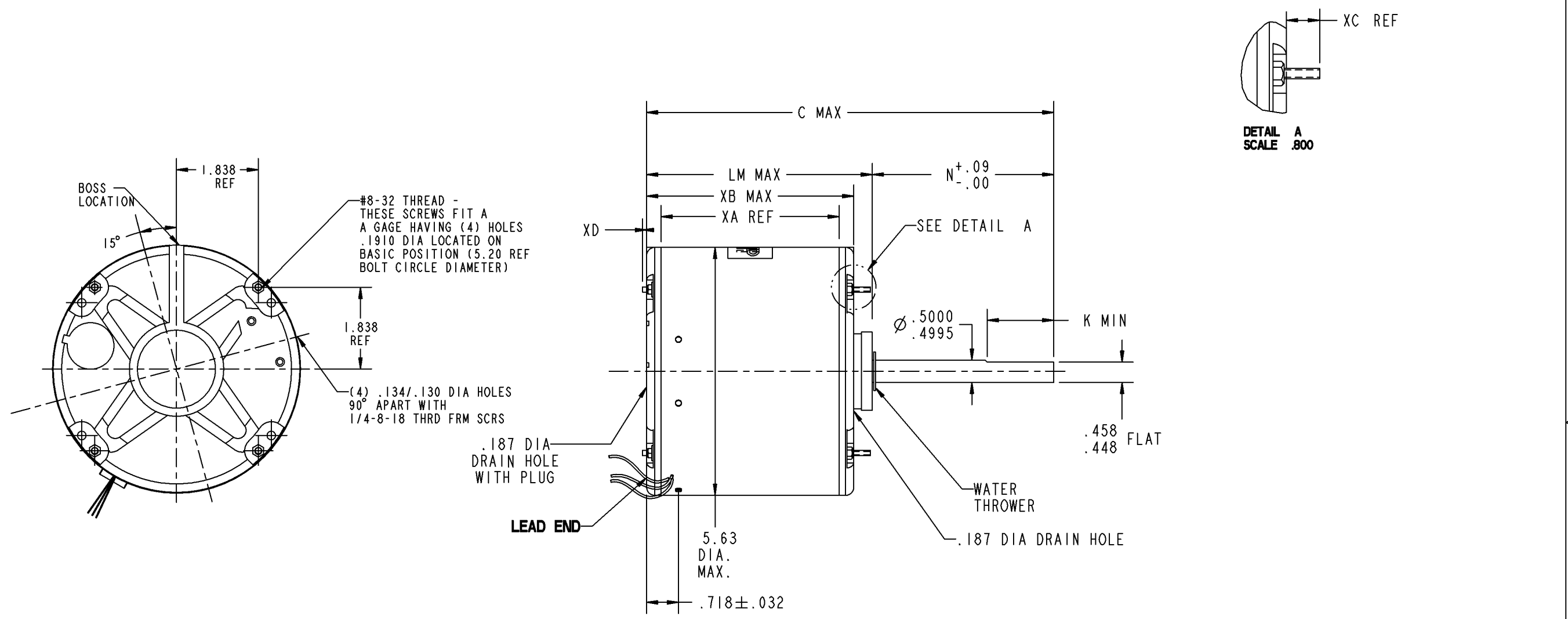


NAME: 501221413 OBJECT: 5KCP39CFAE33S DATE: 19-Feb-09 13:24:08

VENTILATION SYSTEM	
SHELL VENTS	CLOSED
ENDSHIELD (OPP. LEAD END)	CLOSED
ENDSHIELD (LEAD END)	CLOSED

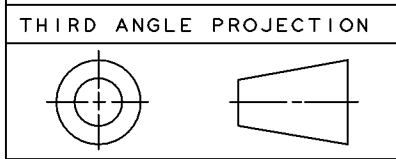
RBC PROPRIETARY AND CONFIDENTIAL INFORMATION
 This document is the property of REGAL BELOIT CORPORATION ("RBC") including its subsidiaries and divisions and contains proprietary information of RBC. This document is loaned on the express condition that neither it nor the information contained therein shall be disclosed to others without the express written consent of RBC, and that the information shall be used by the recipient only as approved expressly by RBC. This document shall be returned to RBC upon its request. This document may be subject to certain restrictions under U.S. export control laws and regulations.

REVISIONS			
REV.	DESCRIPTION	DATE	APPROVED
0			



NOTE:
 1. DIMENSIONS SHOWN ARE NOMINAL UNLESS OTHERWISE SPECIFIED.

							.09	.65
							XC	XD
8.21	3.75	3.50	N/A	N/A	4.39	3.32	3.98	
C	N	K	XN	XK	LM	XA	XB	



SNO	CONNECTION	COLOR	EXIT TYPE	EXIT LOC (VIEWING LE)	GAGE	MATERIAL	WALL THK	LENGTH	TERMINATION
1	COMMON LEAD	ORANGE	4-5 LD BUSHING	7:00	18	THERMOPLASTIC	4/64	41.00	.25 FQC
2	CAPACITOR LEAD	BROWN	4-5 LD BUSHING	7:00	18	THERMOPLASTIC	4/64	41.00	.25 FQC
3	CAPACITOR LEAD	BRN/WHT	4-5 LD BUSHING	7:00	18	THERMOPLASTIC	4/64	41.00	.25 FQC
4	HIGH SPEED LEAD	BLACK	4-5 LD BUSHING	7:00	18	THERMOPLASTIC	4/64	41.00	.25 FQC

NAMEPLATE DATA	
MODEL	5KCP39CFAE33S
CUST P/N	STOCK NO D2844
HP	1/10
RPM	825
VOLTS	208-230
HZ	60
SPEEDS	1
AMPS	0.80
CAP REQD-1	3.00µfd/370Volts
CAP REQD-2	5.00µfd/370Volts
CONN DRW*	SK-CFBB35S
ROTATION	CCW (VIEWED FROM LE)

REGAL BELOIT REGAL-BELOIT CORPORATION FORTWAYNE, INDIANA

TITLE **MOTOR OUTLINE**
 (CUSTOMER NAME : FASCO IND)

SIZE DRAWING **5KCP39CFAE33S** REV **0**

SCALE: NO ISSUED: 2/19/09 SHEET 1 of 1