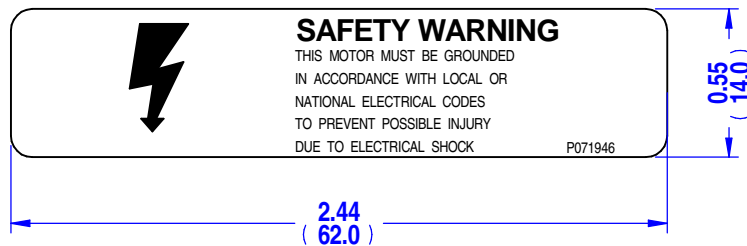


**MOTOR SPECIFICATION**

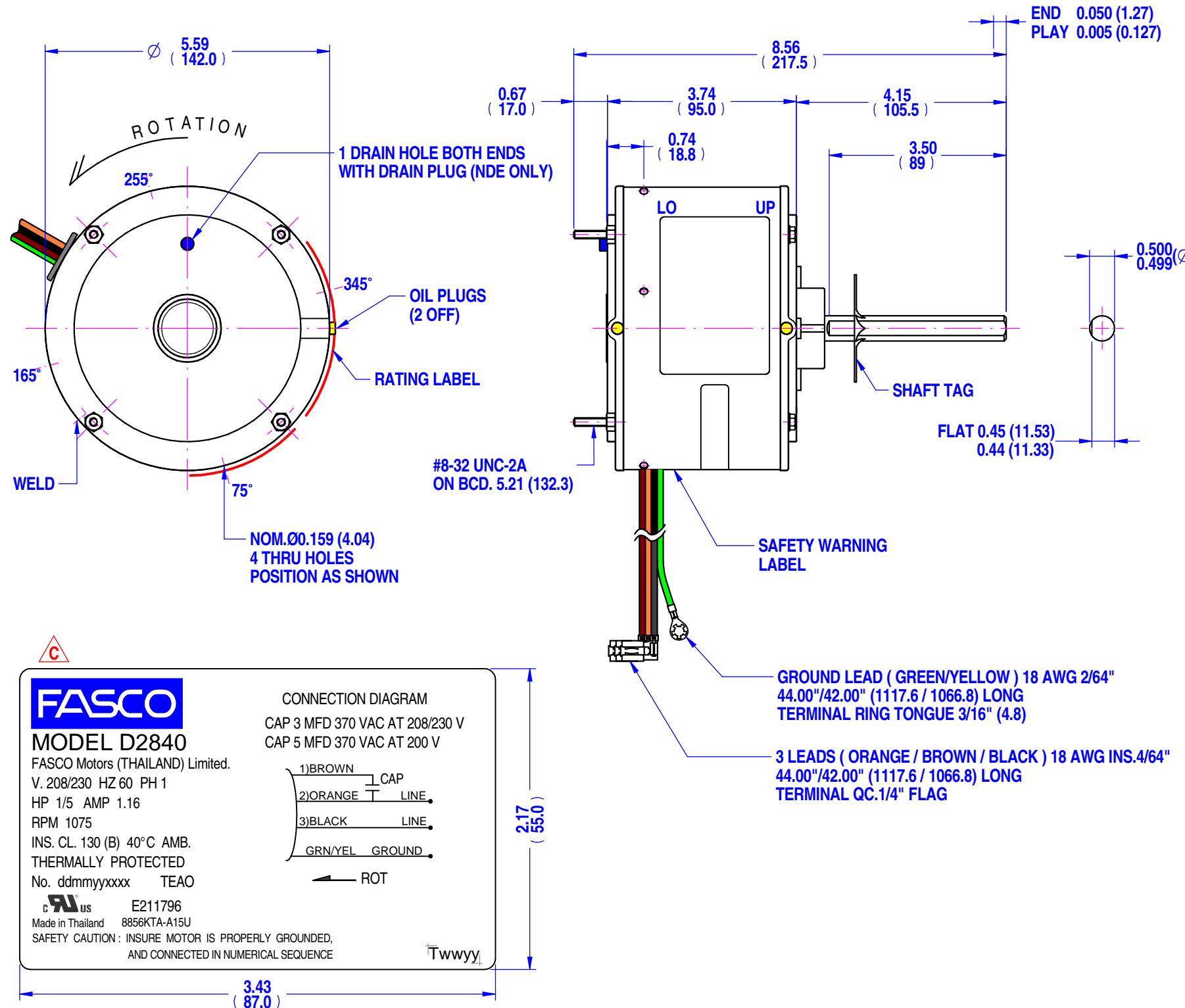
**8856KTA-A15U**

Q.R. No.	Y004441	CUSTOMER NO.	D2840
CUSTOMER	FASCO USA		
MOTOR RATING	VOLTS	208/230	Hz 60 Ph 1 Duty S1 AOM
	RPM.	1075	1.16 $\Delta$ AMPS
	NOM. OUTPUT	1/5 HP	
ROTATION	CLOCKWISE AT DRIVE END		
CAPACITOR	START	-----	$\mu$ F/V RUN 3/--- $\mu$ F/V
ENCLOSURE	T.E.A.O.		
MOTOR TYPE	PSC	INSULATION CLASS	130 (B)
THERMAL PROTECTION	AUTO RESET OVERLOAD		
APPLICATION	FAN CONDENSING - SHAFT HORIZONTAL		
BEARING D.E.	SLEEVE	LUBRICATION	PERMAWICK OPERA.TEMP -15°~90°C
BEARING N.D.E.	SLEEVE		
SUPPLY LEAD	AS SHOWN		
EARTH PROVISION	SUPPLIED		
BASIC BUILD SPECIFICATION	305-881-05	PAINT/ COLOUR	PC GREY PLAIN E/SHIELDS
PERFORMANCE SPECIFICATION	SP88007-01		
CONNECTION DIAGRAM	AS SHOWN	RATING LABEL	AS SHOWN



**FINAL INSPECTED MOTORS MUST COMPLY WITH ELECTRIC MOTOR VIBRATION SPECIFICATION (ES049)**

THIRD ANGLE PROJECTION.



NOTE : DIMENSIONS SHOWN INCH (mm.)  
STK - 26

**SPECIAL REQUIREMENTS:**

- 1)\_CAPACITOR SUPPLIED BY CUSTOMER.
- 2)\_SCREW (SM13-13 / 4 EA) AND WASHER LOCK (SM19-1 / 4 EA) TO BE PACKED IN PLASTIC BAG AND PUT INTO INDIVIDUAL CARTON WITH MOTOR, IN CASE OF SINGLE PACKING.
- 3)\_ADD SAFETY BOOK P/N 398-063-02 IN ALL INDIVIDUAL CARTON.

**UNLESS OTHERWISE SPECIFIED : DIMENSIONS ARE IN MM. TOLERANCES**

DECIMALS	ANGULAR
.X ± 1.0	± 30'
.XX ± 0.1	

THIS DRAWING REMAINS THE PROPERTY OF FASCO MOTORS AND MAY NOT BE USED, COPIED OR ISSUED WITHOUT WRITTEN PERMISSION FROM FASCO MOTORS

MOTOR WEIGHT	4.5 kg.	
DRAWN	Pongpun	16/03/2013
CHECKED	Pipat	30/03/2018
RELEASED	Suksakorn	30/03/2018
SCALE	N.T.S.	

**FASCO THAILAND**  
29/7-8 MOO 3, BANGKRUAY - SAINOI Rd.,  
BANGKRANG, MUANG NONTABURI DISTRICT,  
NONTABURI 11000 THAILAND

FRAME	MOTOR	
STATUS	R	
SHEET	DWG. NO.	REVISION
A3	8856KTA-A15U	C

MIC1803190 By: Muntana Date: 30/03/2018 MIC C: change AMP on name plate and label packing from 1.3 Note: to 1.16 Amp