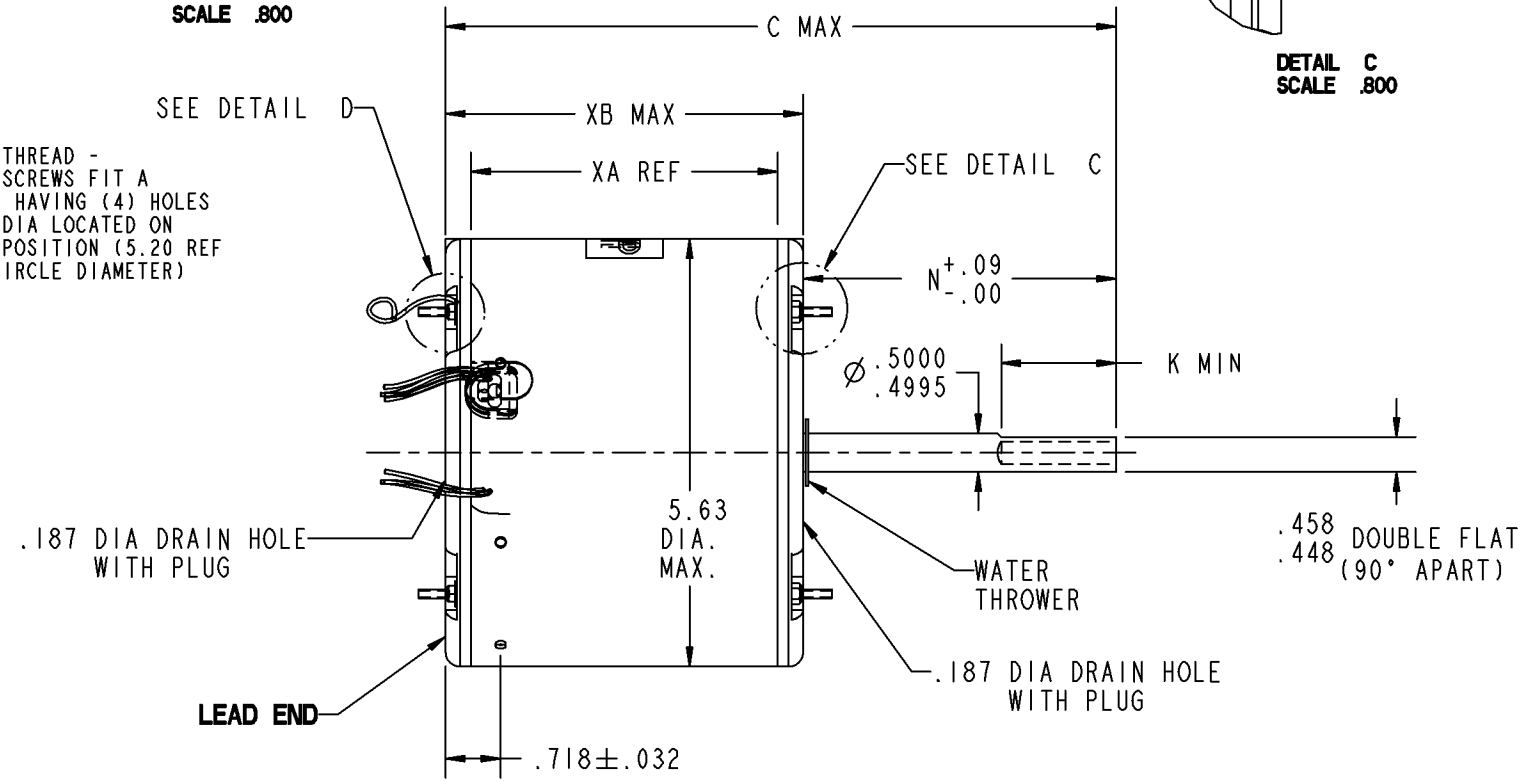
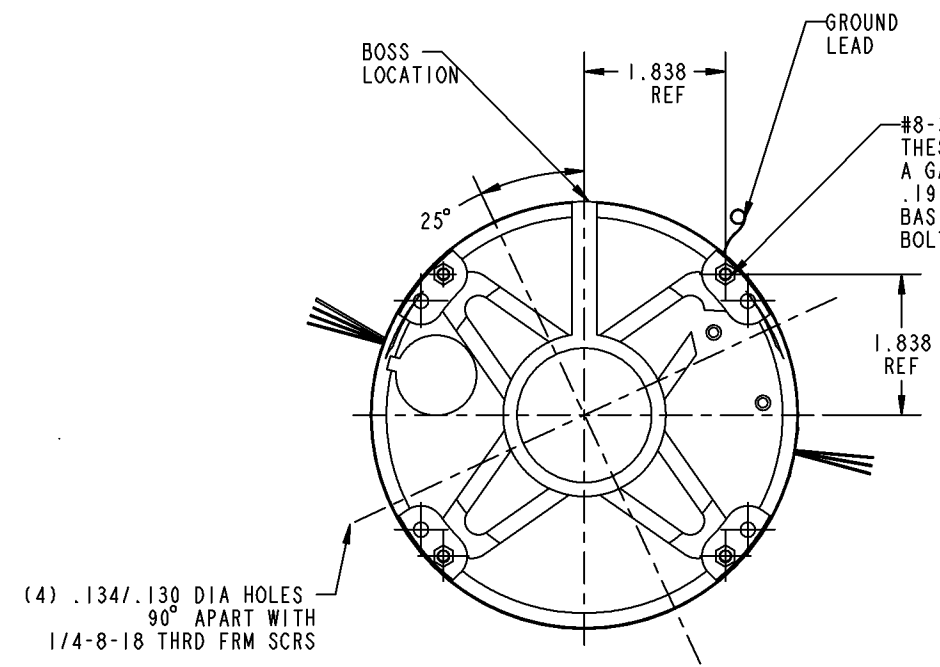
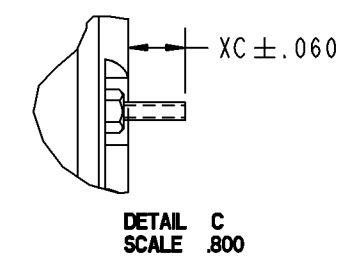
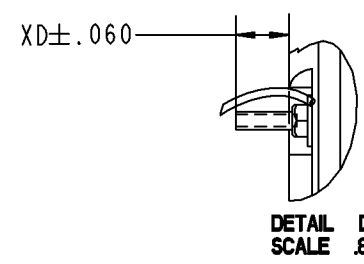


NAME: 100003764 OBJECT: 5KCP39NFBB29S DATE: 29-Apr-09 21:38:10

VENTILATION SYSTEM	
SHELL VENTS	CLOSED
ENDSHIELD (OPP. LEAD END)	CLOSED
ENDSHIELD (LEAD END)	CLOSED

RBC PROPRIETARY AND CONFIDENTIAL INFORMATION
 This document is the property of REGAL BELOIT CORPORATION ("RBC") including its subsidiaries and divisions and contains proprietary information of RBC. This document is loaned on the express condition that neither it nor the information contained therein shall be disclosed to others without the express written consent of RBC, and that the information shall be used by the recipient only as approved expressly by RBC. This document shall be returned to RBC upon its request. This document may be subject to certain restrictions under U.S. export control laws and regulations.

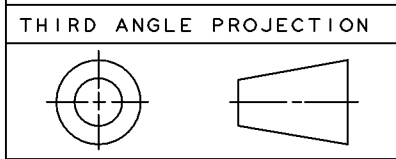
REVISIONS			
REV.	DESCRIPTION	DATE	APPROVED
2	RLSD TO PROD. PER IS:09-1590	04/29/09	AVL



(4) .134/.130 DIA HOLES
 90° APART WITH
 1/4-8-18 THRD FRM SCRS

#8-32 THREAD -
 THESE SCREWS FIT A
 GAGE HAVING (4) HOLES
 .1910 DIA LOCATED ON
 BASIC POSITION (5.20 REF
 BOLT CIRCLE DIAMETER)

NOTE:
 1. DIMENSIONS SHOWN ARE NOMINAL
 UNLESS OTHERWISE SPECIFIED.



SNO	CONNECTION	COLOR	EXIT TYPE	EXIT LOC (MEMO) LE	GAGE	MATERIAL	WALL THK	LENGTH	TERMINATION
1	COMMON LEAD	WHITE	4-5 LD BUSHING	3:40	18	THERMOPLASTIC	4/64	37.00	.25 FQC
2	REV LEAD	YELLOW	2-3 LD BUSHING	9:40	18	EPDM	2/64	3.00	.25 MALE 1SQC
3	CAPACITOR LEAD	BROWN	4-5 LD BUSHING	3:40	18	THERMOPLASTIC	4/64	37.00	.25 FQC
4	REV LEAD	ORANGE	2-3 LD BUSHING	9:40	18	EPDM	2/64	3.00	.25 MALE 1SQC
5	CAPACITOR LEAD	BRN/WHT	4-5 LD BUSHING	3:40	18	THERMOPLASTIC	4/64	37.00	.25 FQC
6	REV LEAD	BROWN	2-3 LD BUSHING	9:40	18	EPDM	2/64	3.00	.25 FISQC LO INS FORCE
7	HIGH SPEED LEAD	BLACK	4-5 LD BUSHING	3:40	18	THERMOPLASTIC	4/64	37.00	.25 FQC
8	LOW SPEED LEAD	RED	4-5 LD BUSHING	3:40	18	THERMOPLASTIC	4/64	37.00	.25 FQC CE
9	REV LEAD	PURPLE	2-3 LD BUSHING	9:40	18	EPDM	2/64	3.00	.25 FISQC LO INS FOR
10	GROUND	GRN-YEL	CLAMPSCREW	1:30	18	THERMOPLASTIC	2/64	12.00	#10 SERR EYELET

NAMEPLATE DATA	
MODEL	5KCP39NFBB29S
CUST P/N	MODEL D2826
HP	1/3-1/6
RPM	825(2SPD)
VOLTS	208-230
HZ	60
SPEEDS	2
AMPS	1.90/ 1.20
CAP REQD-1	7.50µfd/370Volts
CAP REQD-2	10.00µfd/370Volts
CONN DRW*	NP24X327715
ROTATION	CCW/CW (VIEWED FROM LE)

							1.26	.72
							XC	XD
10.31	5.00	4.50	N/A	N/A	N/A		4.57	5.23
C	N	K	XN	XK	LM		XA	XB

REGAL BELOIT CORPORATION FORTWAYNE, INDIANA

TITLE: **MOTOR OUTLINE**
 (CUSTOMER NAME : FASCO)

SIZE: B DRAWING: 5KCP39NFBB29S REV: 2

SCALE: NO ISSUED: 4/29/09 SHEET 1 of 1