

NOTES

1. THRU AIR SPACING BETWEEN WIRE AND METAL .094 MIN.
2. TIE BOLT TORQUE TOLERANCE 7-12 IN. LBS.
3. FOR WASHER SET-UP, SEE CHART C600 0279, DETAIL "H".
4. LOCATE CONNECTION DIAGRAM, 6134 6699, ON OPPOSITE LEAD END COVER AT 0° TO READ RIGHT FROM LEAD END OF MOTOR.
5. ASSEMBLE SLINGER, 8865 6002, WITH SLICK SIDE AWAY FROM MOTOR.
6. CONNECT THE TWO YELLOW REV. LEADS TOGETHER AND THE TWO PURPLE REV. LEADS TOGETHER. THIS WILL GIVE CCWLE ROTATION.
7. SALES TO SPECIFY ON P.O. WHICH PACK TO USE.

ECO	REV.	DATE	SPEC/CHECK
640075	6	07-07-09	GAE/GAE
628301	3	4-18-01	LDC/RWS
631629	4	8-20-03	MKR/MKR
638302	5	6-24-08	MKR/MKR

- A. SEE PACKAGING MANUAL PAGE 2 FOR PACKAGING PROCEDURES.
- 1 MOTOR/CARTON;
 - 32 MOTORS/LAYER;
 - 6 LAYERS/PALLET;
 - 192 MOTORS/PALLET;
- B. SEE DRAWING 8785 6079 SH. 1 FOR PALLET LAYOUT.
- C. CENTER LABEL, 6119 6475, ON END OF CARTON.
- D. PLACE PAMPHLET, 6122 4579, IN CARTON WITH MOTOR.



PRODUCTION TEST AT IDLE 230 VOLTS 60 HZ		MOTOR SPEED	PERFORMANCE TEST 230 VOLTS 60 HZ 1 PH 1/8 HP CAP. 5 MFD 370 VAC											
AMP	WATT		IDLE			LOADED				LOCKED			BREAK	
			RPM	AMP	WATT	OZ/IN	RPM	AMP	WATT	OZ/IN	AMP	WATT	OZ/IN	
.47	.39	HIGH	1783	.43	83	122.0	1550	.98	227	55.0	1.53	336	134.0	

HI-POT TEST 2000 VOLTS

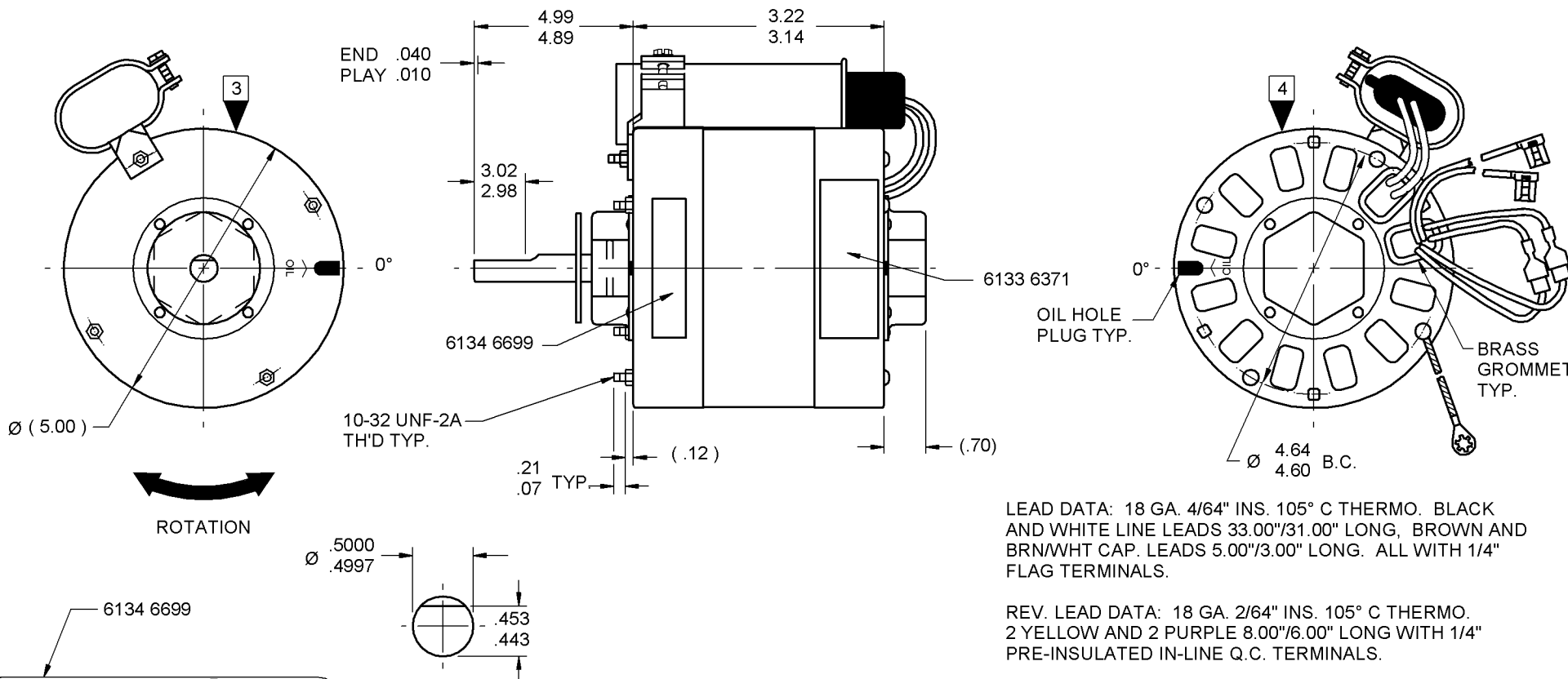
MAX LEAKAGE CURRENT 5 mA

TYPICAL PERFORMANCE SHOWN ABOVE FOR CCWLE ROTATION.

7184 0013 MA

OPPOSITE LEAD END

LEAD END



LEAD DATA: 18 GA. 4/64" INS. 105° C THERMO. BLACK AND WHITE LINE LEADS 33.00"/31.00" LONG, BROWN AND BRN/WHT CAP. LEADS 5.00"/3.00" LONG. ALL WITH 1/4" FLAG TERMINALS.

REV. LEAD DATA: 18 GA. 2/64" INS. 105° C THERMO. 2 YELLOW AND 2 PURPLE 8.00"/6.00" LONG WITH 1/4" PRE-INSULATED IN-LINE Q.C. TERMINALS.

GROUND DATA: 18 GA. 2/64" INS. 105° C THERMO. GRN/YEL 7.00"/6.00" LONG WITH A #10 SERRATED RING TERMINAL.

ROTATION INSTRUCTIONS

CW	CCW
SHAFT END PURPLE → PURPLE	SHAFT END PURPLE → PURPLE
PURPLE → YELLOW	YELLOW → PURPLE
YELLOW → YELLOW	YELLOW → PURPLE

SAFETY WARNING

THIS MOTOR MUST BE GROUNDED IN ACCORDANCE WITH LOCAL OR NATIONAL ELECTRICAL CODES TO PREVENT POSSIBLE INJURY DUE TO ELECTRICAL SHOCK

7184 0013 = MADE IN U.S.A.
7184 0013R = ASSEMBLED IN MEXICO

FASCO INDUSTRIES, INC. MOTOR DIVISION

MODEL D264

V. 230 HZ 60 PH 1 ROT →
HP 1/8 INS CL B CAP 5 MFD 370 VAC
AMP 1.1 40° C AMB NO. 7184-0013
RPM 1550 AO TYPE U184B1

CONNECTION DIAGRAM
BRN — CAPACITOR
BRN/WHT —
WHITE — LINE
BLACK — LINE

DATE/BAR CODE AREA PER 8882 6003

SPECIAL INSTRUCTIONS: SHAFT IS BONDERIZED. ROTOR IS RUSTPROOFED. PAMPHLET PACKED WITH MOTOR.

MOTORS PACKED MAX. PER SKID: PALLET PACK, 192 CARTON PACK.

CUSTOMER: FASCO DISTRIBUTING CO.	PROPRIETARY: DO NOT DUPLICATE OR DISCLOSE TO THIRD PARTIES WITHOUT WRITTEN PERMISSION OF FASCO IND. INC., ELDON MO.
PART NUMBER: D264	FASCO INDUSTRIES, INC. MOTOR DIVISION ELDON PLANT
APPLICATION: DIST. SALES	MOTOR TYPE P.S.C.
FINISH COLOR: GRAY	MOTOR NUMBER 7184 0013 R
MOTOR WEIGHT: 7.80 LBS.	REV. 6
ENVIRONMENT: WET	
INSULATION CLASS: B	

LOCATE NAMEPLATE .10 FROM FACE OF LEAD END COVER TO READ RIGHT FROM LEAD END OF MOTOR CENTER AT 0°.

SIZE 3.50 X 1.00