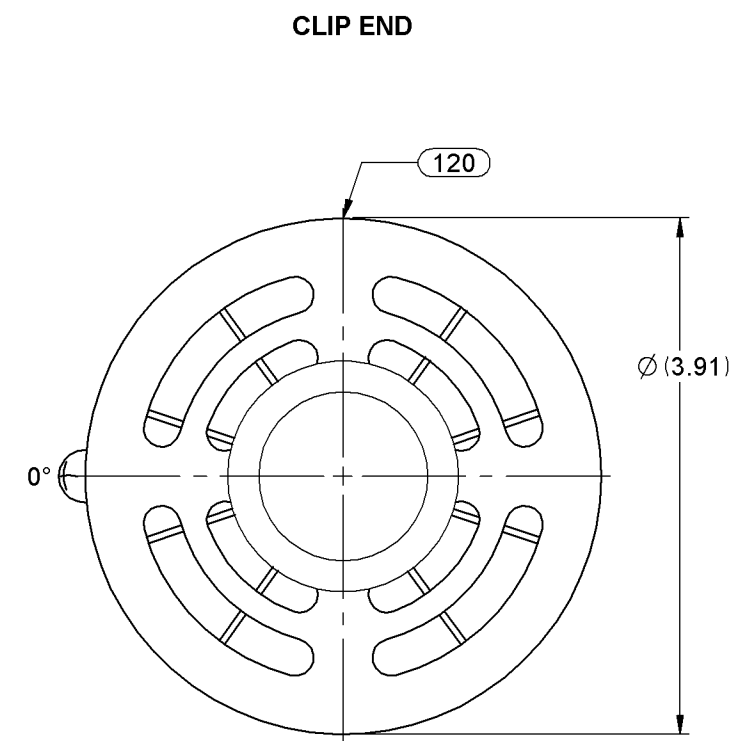
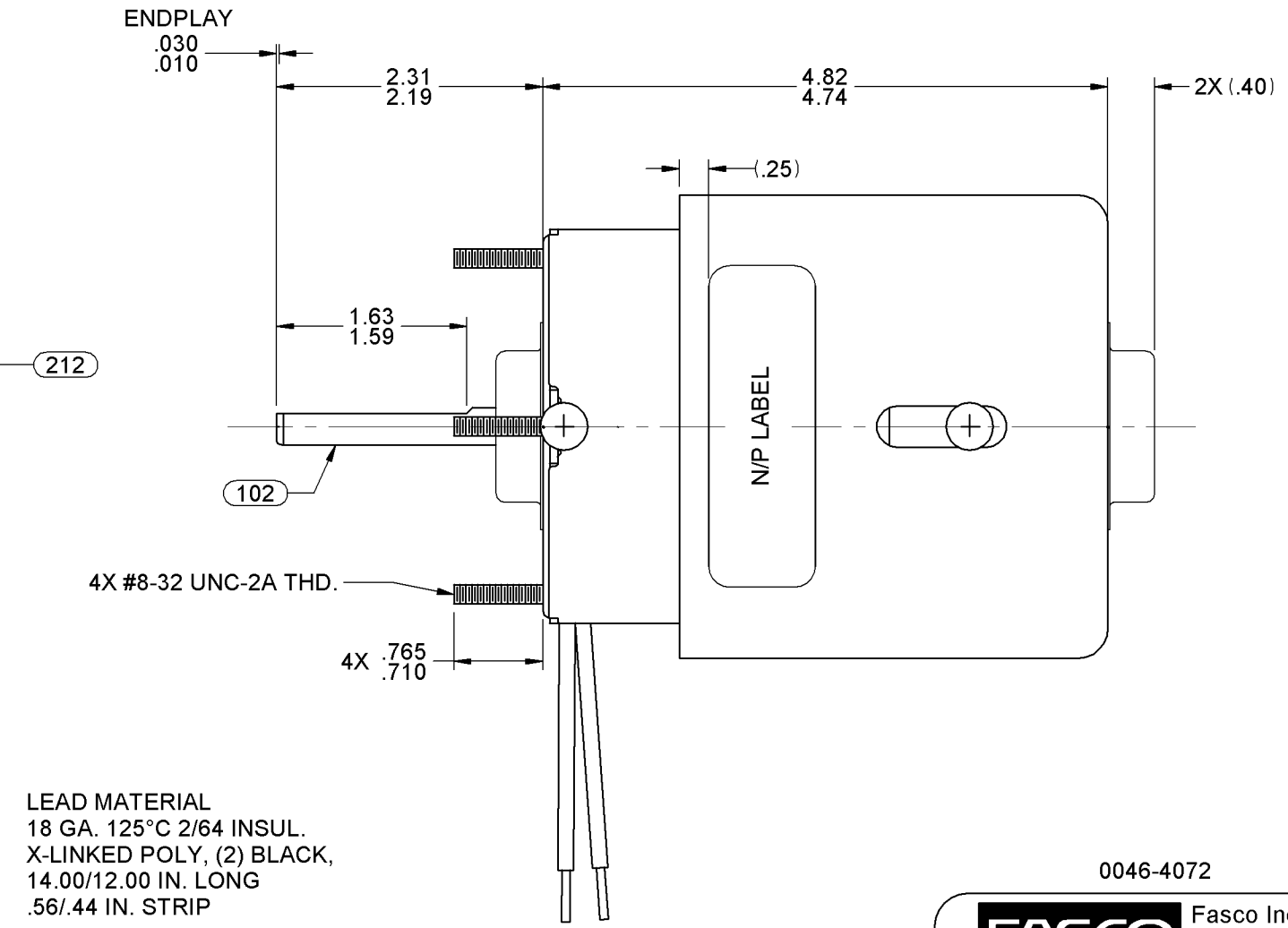
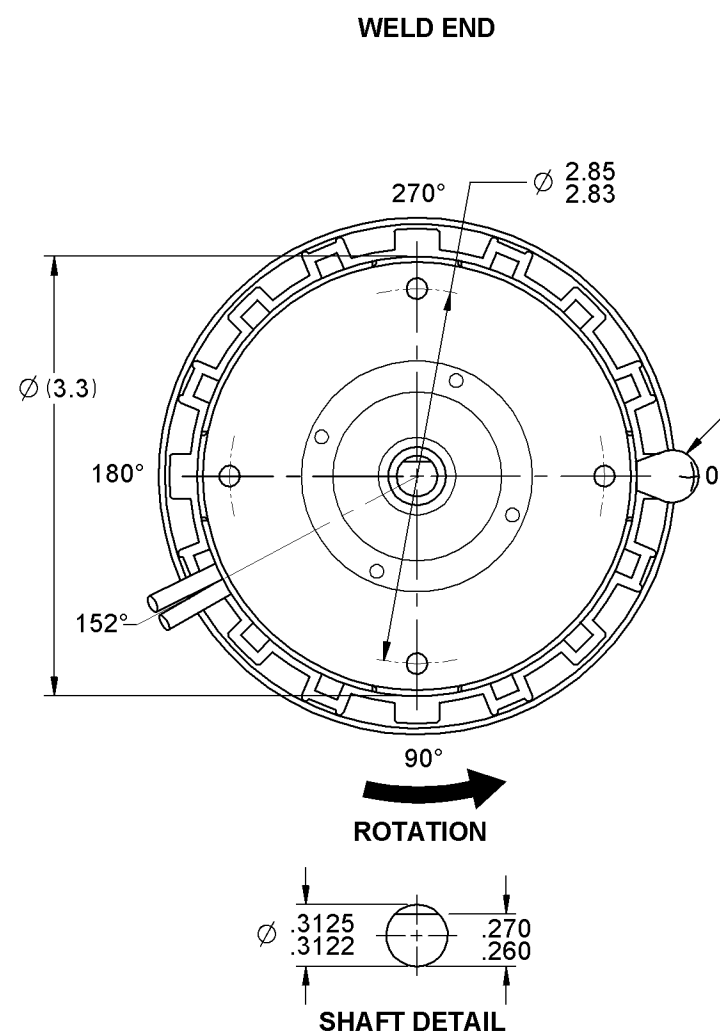


18	CHANGE NAMEPLATE TO MATCH NAMEPLATE LAYOUT. SDM 10/28/09	19	UPDATED THE IDLE AMPS FROM 1.65 TO 1.82 PLA 11/19/09	20	REVISED PACKING AND ADDED CARTON LABEL NOTES 4003549 MLM 10/26/11	STANDARD TOLERANCES: ANGULAR +/- 1 DEGREE 2 PLACE DECIMAL +/- .01 3 PLACE DECIMAL +/- .005
----	---	----	---	----	---	---



NOTES:
1. NO PACKAGING TAPE OVER CARTON LABEL.

0046-4072 0046-4282

FASCO Fasco Industries, Inc. Motor Division

Assembled in Mexico

No. 71633056	TYPE U63B1	T.P. TEAO
115 V	60 Hz	Class B
2.2 A	1580 RPM	1/12 HP
Model D235		Max. Amb: 40°C
LR6319		

SAFETY WARNING

This Motor Must Be Grounded in Accordance With Local Or National Electrical Codes To Prevent Possible Injury Due To Electrical Shock

61299553

FRONT SHAFT POSITION	TYPICAL PERFORMANCE AT 120 VOLTS 60 Hz.											CUSTOMER: FASCO DIST.	PART NUMBER: D235	FASCO MOTORS GROUP AC MOTOR/BLOWER DIVISION																			
	MOTOR SPEED	IDLE			LOADED			LOCKED			BREAK			APPLICATION: COUNTER SALES					MOTOR TYPE					DRAWING NUMBER									
		R.P.M.	AMP.	WATT	IN.OZ.	R.P.M.	AMP.	WATT	IN.OZ.	AMP.	WATT	IN.OZ.		ENVIRONMENT: DRY					FINISH COLOR: BLACK					DRAWN BY: M. MASON					DATE DRAWN: 11/28/06				
HORIZONTAL DOWN	1780	1.82	90	50.0	1580	2.15	155	15.0	3.05	212	54.0																						
CUSTOMER APPROVAL:																																	
SIGNED:																																	
DATE:																																	

If Printed, this is an Uncontrolled Document.