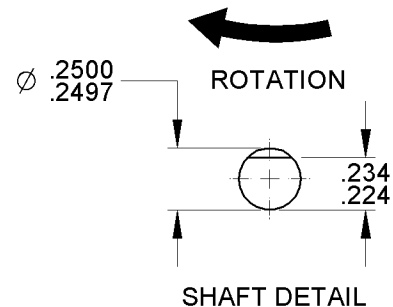
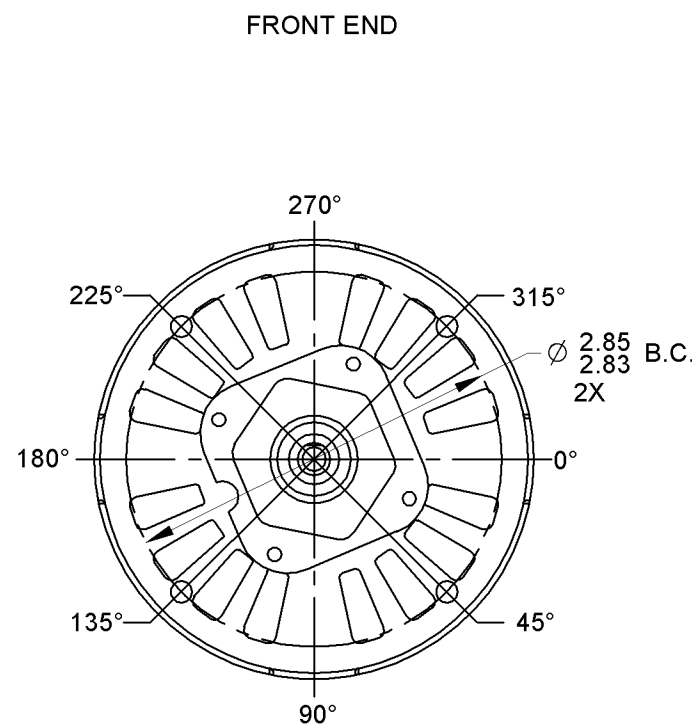
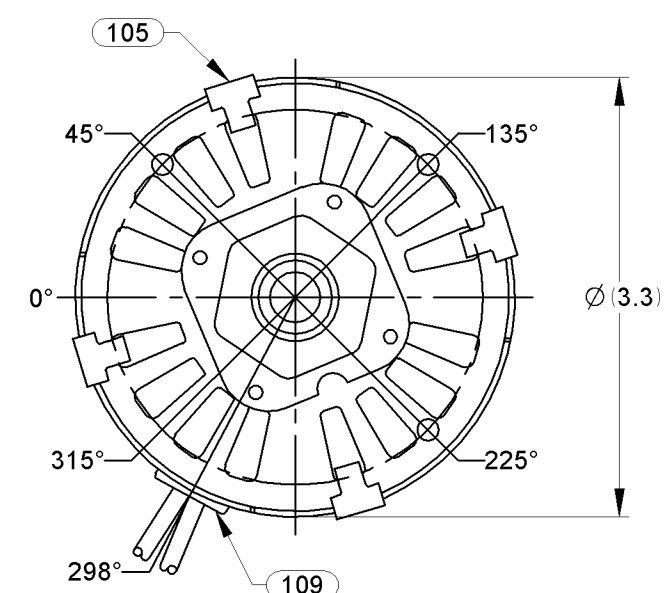
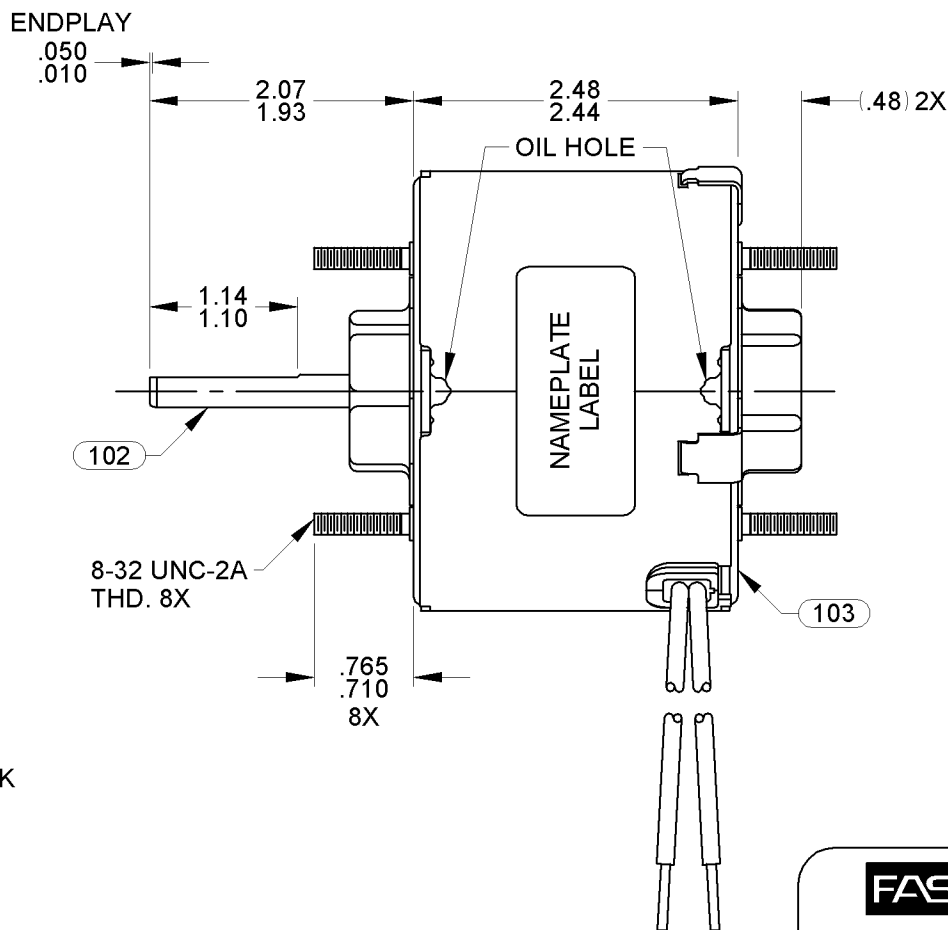


07	REVISED TO NEW N/P FORMAT	11/06/2007	08	REMOVE BARCODE, UPDATE N/P & UPDATE TO CURRENT STANDARDS.	KSA 11/12/09	09	ADDED CARTON LABEL NOTES	4002306 MLM 6/9/11	STANDARD TOLERANCES: ANGULAR +/- 1 DEGREE 2 PLACE DECIMAL +/- .01 3 PLACE DECIMAL +/- .005
----	---------------------------	------------	----	---	--------------	----	--------------------------	-----------------------	---



LEAD MATERIAL
18 GA. 125°C 2/64 INS.
X-LINKED POLY. (2) BLACK
20.00/18.00 IN. LONG
.56/.44 IN. STRIP



NOTES:
1. NO PACKAGING TAPE OVER CARTON LABEL.

0046-4072
0046-4282

Fasco Industries, Inc.
Motor Division

Assembled In Mexico

No. 71219952	TYPE U21B	T.P. AO
115 V	60 Hz	Class B
.92 A	3000 RPM	1/50 HP
Model D228		Max Amb: 40°C
LR36496		

SAFETY WARNING

This Motor Must Be Grounded in Accordance With Local Or National Electrical Codes To Prevent Possible Injury Due To Electrical Shock

61299553

FRONT SHAFT POSITION	TYPICAL PERFORMANCE AT 115 VOLTS 60 Hz											CUSTOMER:	FASCO DIST.	FASCO MOTORS GROUP AC MOTOR/BLOWER DIVISION									
HORIZONTAL DOWN	MOTOR SPEED	IDLE			LOADED			LOCKED			BREAK	PART NUMBER:	D228										
		R.P.M.	AMP.	WATT	IN.OZ.	R.P.M.	AMP.	WATT	IN.OZ.	AMP.	WATT	IN.OZ.	APPLICATION:	OVER COUNTER SALES									
		3405	.86	56	6.3	3000	.92	72	2.71	1.20	95	7.7	MOTOR WEIGHT:	1 3/4 LB									
CUSTOMER APPROVAL:													ENVIRONMENT:	DRY									
SIGNED:													FINISH COLOR:	BLACK									
DATE:													DRAWN BY:	SDM									
													DATE DRAWN:	09/27/2005									
		SHADED POLE										DRAWING NUMBER											
		7121 9952										REV. 09											
		B	LA	FR	A	S	C	E	B	A	REV.												
		00	21	30	V	01	DX	5	1	0													

If Printed, this is an Uncontrolled Document.