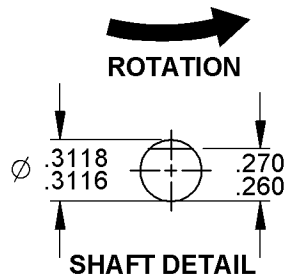
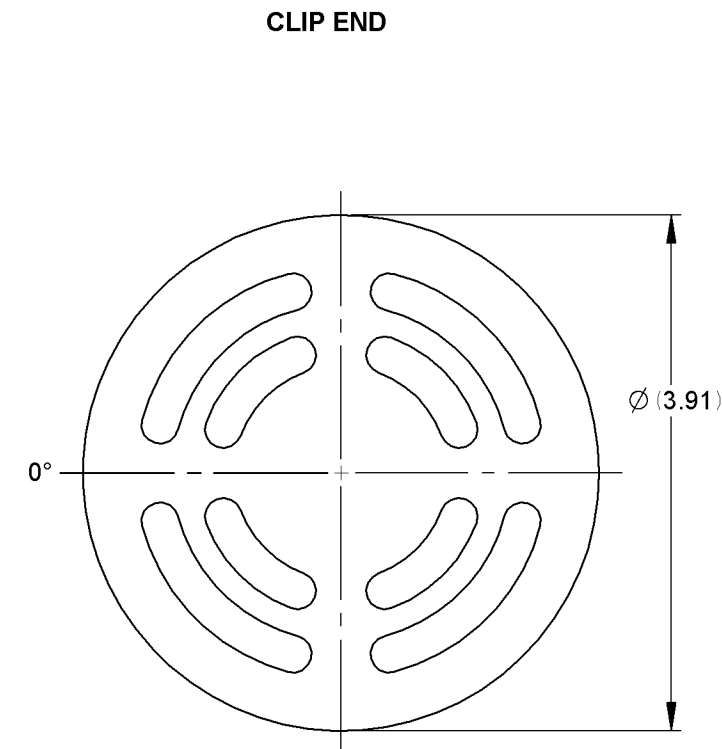
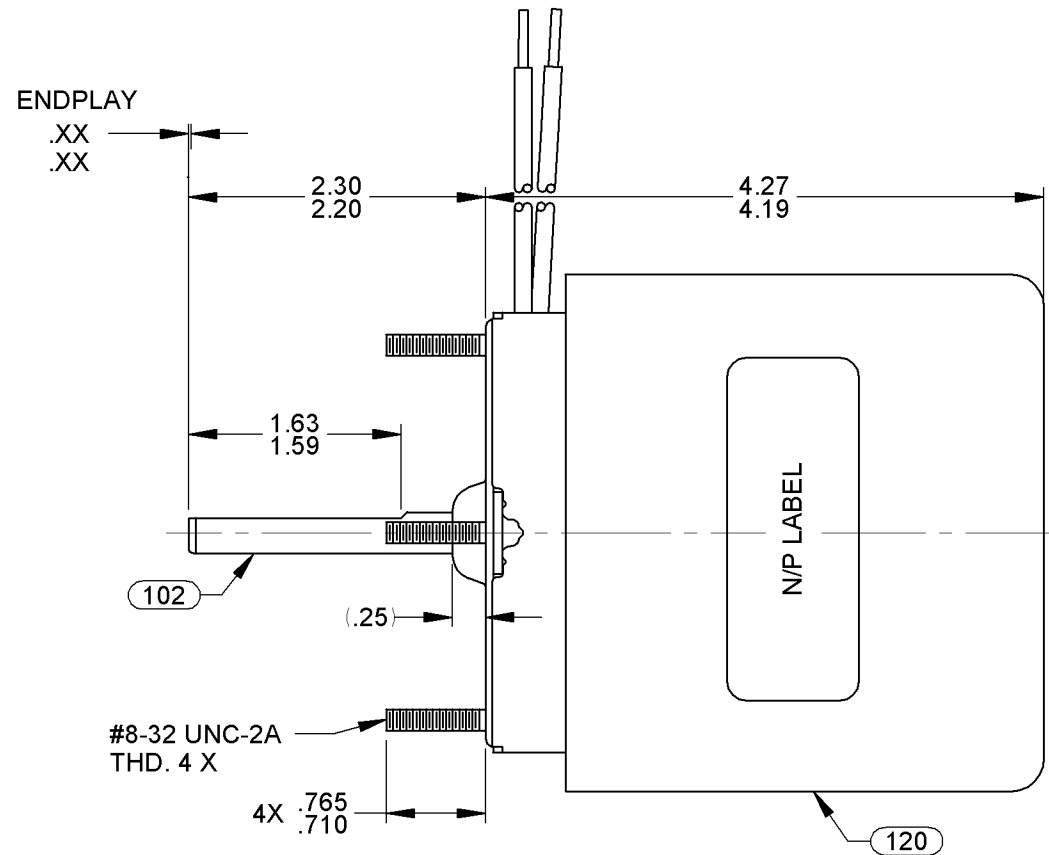
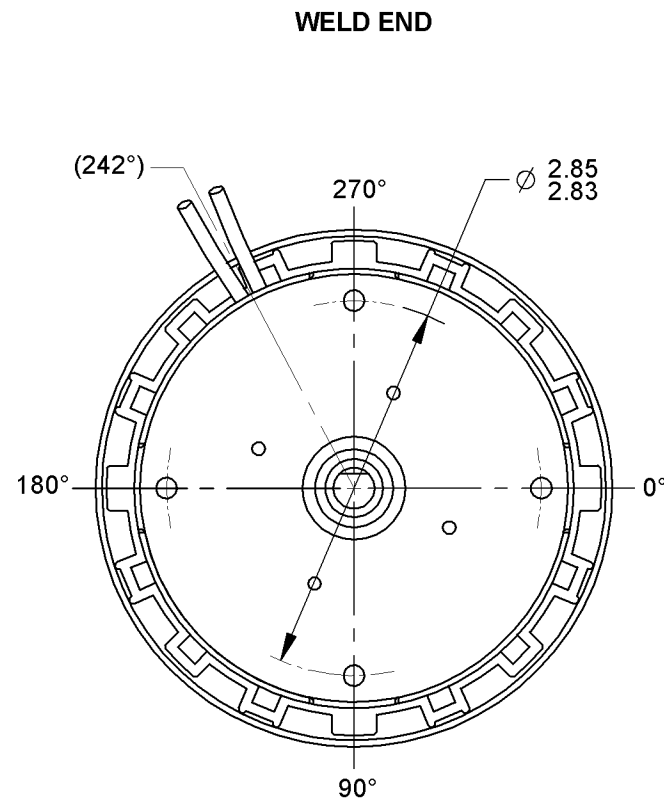


14	REVISED TO CLINCH STUDS, UPDATED TYPICAL PERFORMANCE	SD 7-1-04	15	REVISED TO CURRENT STANDARDS	02/08/2008	16	REMOVED BARCODE FROM AND ADDED CSA NUMBER TO NAMEPLATE	BP 08/03/2010	STANDARD TOLERANCES: ANGULAR +/- 1 DEGREE 2 PLACE DECIMAL +/- .01 3 PLACE DECIMAL +/- .005
----	--	-----------	----	------------------------------	------------	----	--	---------------	---



LEAD MATERIAL
18 GA. 125° C 2/64 IN.
X-LINK POLY., BLACK
14.00/12.00 IN. LONG
.68/.56 IN. STRIP

0046-4072

0046-4282

FASCO Motor Division
Assembled In Mexico
No. 71634245 TYPE U63B1
115 V 60 Hz
1.8 A 1550 RPM
Model D227
Max Amb: 40°C
LR6319

T.P. TEAO
Class B
1/20 HP
Sealed Ball Brg

SAFETY WARNING

This Motor Must Be Grounded in Accordance With Local Or National Electrical Codes To Prevent Possible Injury Due To Electrical Shock

- NOTES:
1. PACK 280 MOTORS MAX. PER PALLET.
2. NO PACKING TAPE OVER CARTON LABEL.

FRONT SHAFT POSITION UP DOWN	* TYPICAL PERFORMANCE AT 115 VOLTS 60 Hz.											CUSTOMER: FASCO DIST.	FASCO FASCO MOTORS GROUP AC MOTOR/BLOWER DIVISION								
	MOTOR SPEED	IDLE			LOADED			LOCKED			BREAK	PART NUMBER: D227									
		R.P.M.	AMP.	WATT	IN.OZ.	R.P.M.	AMP.	WATT	IN.OZ.	AMP.	WATT	IN.OZ.	APPLICATION: COUNTER SALES	CONFIDENTIAL: DO NOT DUPLICATE OR DISCLOSE TO THIRD PARTIES WITHOUT WRITTEN PERMISSION OF FASCO MOTORS GROUP, AC MOTOR/BLOWER DIVISION.							
	1750	1.36	68	30.0	1590	1.65	107	12.0	2.34	141	33.0	MOTOR WEIGHT: 4.57 LBS.	MOTOR TYPE	DRAWING NUMBER							
CUSTOMER APPROVAL:												ENVIRONMENT: DRY	SHADED POLE		7163 4245						
SIGNED:												FINISH COLOR: BLACK	REV. 16								
DATE:												DRAWN BY: S. DALTON	B	LA	FR	A	S	C	E	B	A
												DATE DRAWN: 3-7-2002	00	63	28	T	06	OC	5	0	0