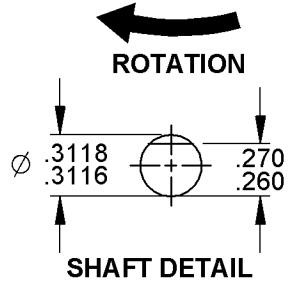
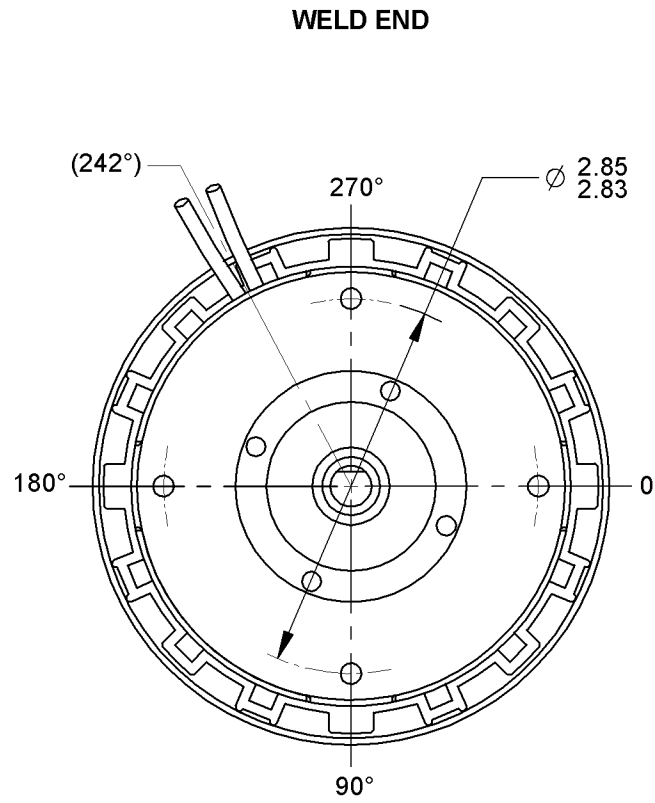
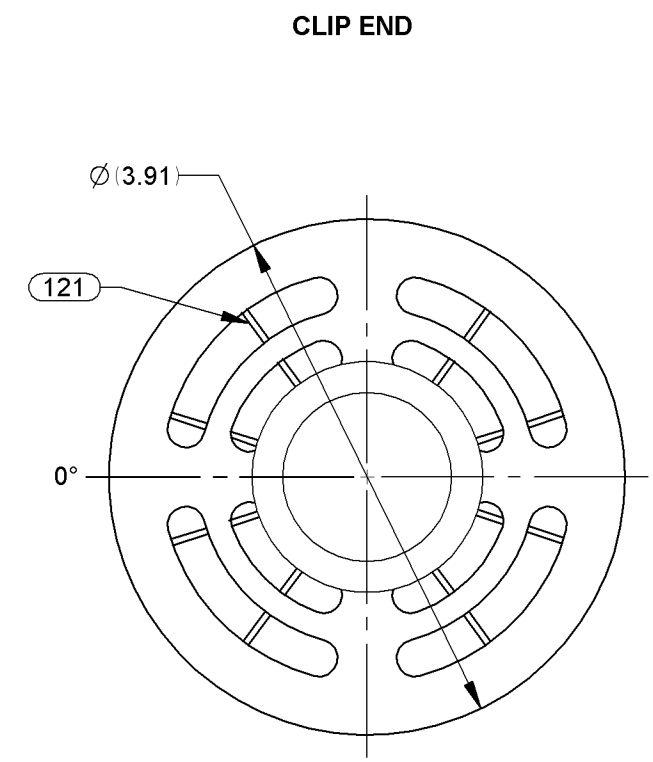
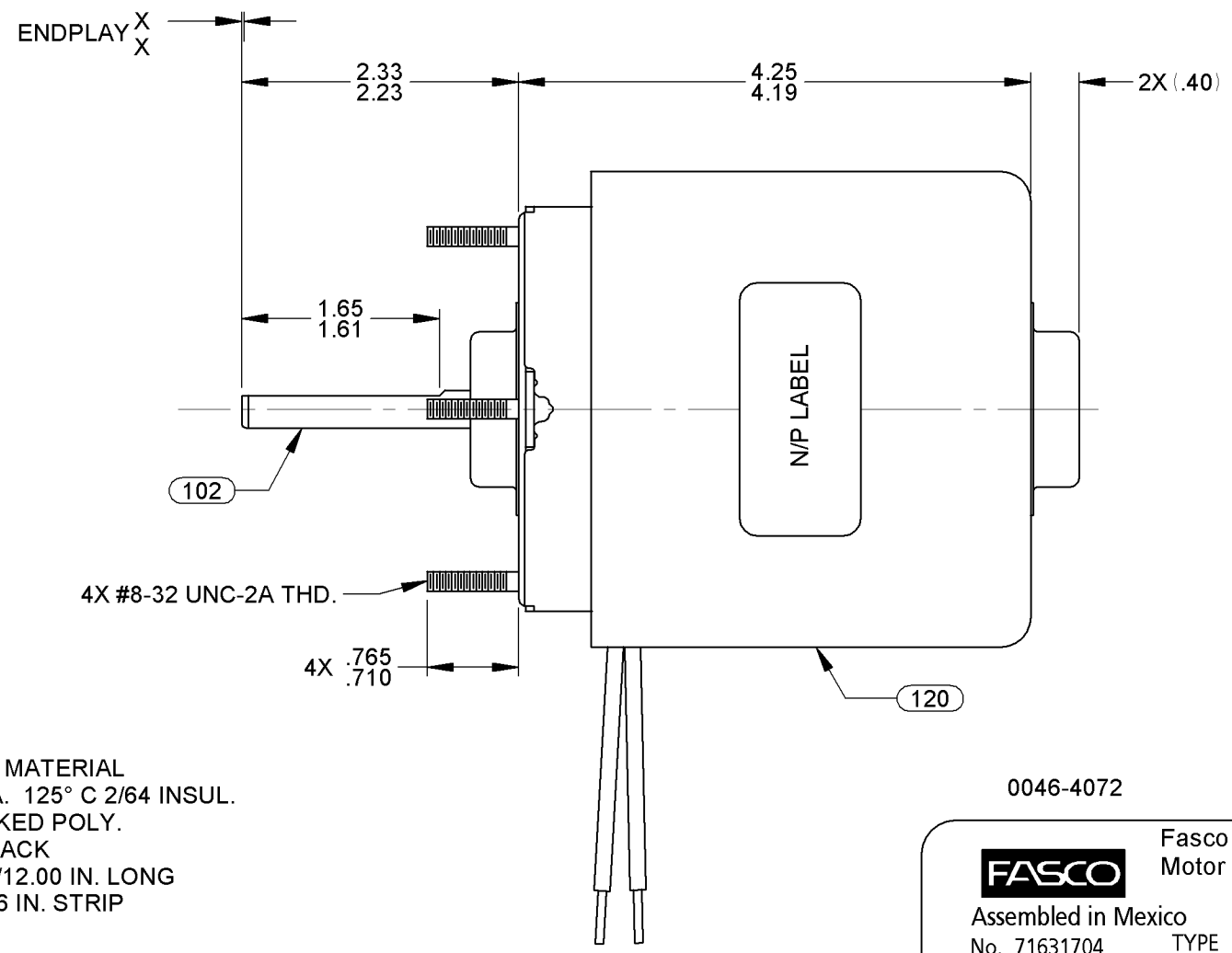


34	CHANGED N/P FORMAT & UPDATED STANDARDS	PLA 11/07/07	35	REMOVE BARCODE AND UPDATE NAMEPLATE.	KSA 01/07/10	36	REVISED PACKING, AND ADDED CARTON LABEL NOTES	4001158 MLM 2/21/11	STANDARD TOLERANCES: ANGULAR +/- 1 DEGREE 2 PLACE DECIMAL +/- .01 3 PLACE DECIMAL +/- .005
----	--	--------------	----	--------------------------------------	--------------	----	---	------------------------	---

ALL MATERIAL FURNISHED TO THIS DRAWING AND/OR APPLICABLE PURCHASE ORDER FOR THIS PART MUST COMPLY WITH THE LATEST REVISION OF THE EUROPEAN DIRECTIVES RoHS AND REACH.



LEAD MATERIAL
18 GA. 125° C 2/64 INSUL.
X-LINKED POLY.
(2) BLACK
14.00/12.00 IN. LONG
.68/.56 IN. STRIP



0046-4072

0046-4282

FASCO Industries, Inc.
Motor Division

Assembled in Mexico
No. 71631704 TYPE U63B1
115 V 60 Hz
1.7 A 1500 RPM
Model D226
Thermally Protected
Max Amb: 40° C

TEAO LR6319
Class B
1/20 HP
Sealed Ball Brg

SAFETY WARNING

This Motor Must Be Grounded in Accordance With Local Or National Electrical Codes To Prevent Possible Injury Due To Electrical Shock

61299553

- NOTES:
- NO PACKAGING TAPE OVER CARTON LABEL.

FRONT SHAFT POSITION	* TYPICAL PERFORMANCE AT 115 VOLTS 60 Hz.												CUSTOMER: FASCO DIST.	FASCO FASCO MOTORS GROUP AC MOTOR/BLOWER DIVISION									
HORIZONTAL 	MOTOR SPEED	IDLE			LOADED			LOCKED			BREAK	PART NUMBER: D226	CONFIDENTIAL: DO NOT DUPLICATE OR DISCLOSE TO THIRD PARTIES WITHOUT WRITTEN PERMISSION OF FASCO MOTORS GROUP, AC MOTOR/BLOWER DIVISION.										
		R.P.M.	AMP.	WATT	IN.OZ.	R.P.M.	AMP.	WATT	IN.OZ.	AMP.	WATT	IN.OZ.	APPLICATION: COUNTER SALES	MOTOR TYPE			DRAWING NUMBER						
CUSTOMER APPROVAL:												MOTOR WEIGHT: 4.07 LBS.	SHADED POLE			7163 1704							
SIGNED:												ENVIRONMENT: DRY	B	LA	FR	A	S	C	E	B	A	REV.	
DATE:												FINISH COLOR: BLACK	00	63	28	T	05	OJ	5	0	0	36	
												DRAWN BY: S. DALTON											
												DATE DRAWN: 7-1-2004											

If Printed, this is an Uncontrolled Document.