

FRONT END

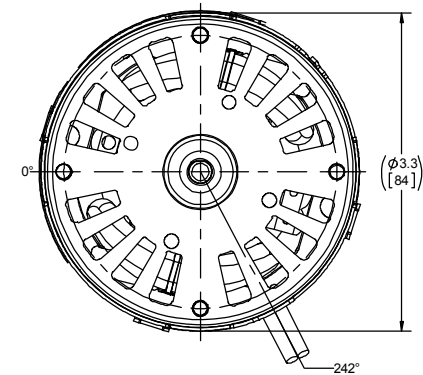
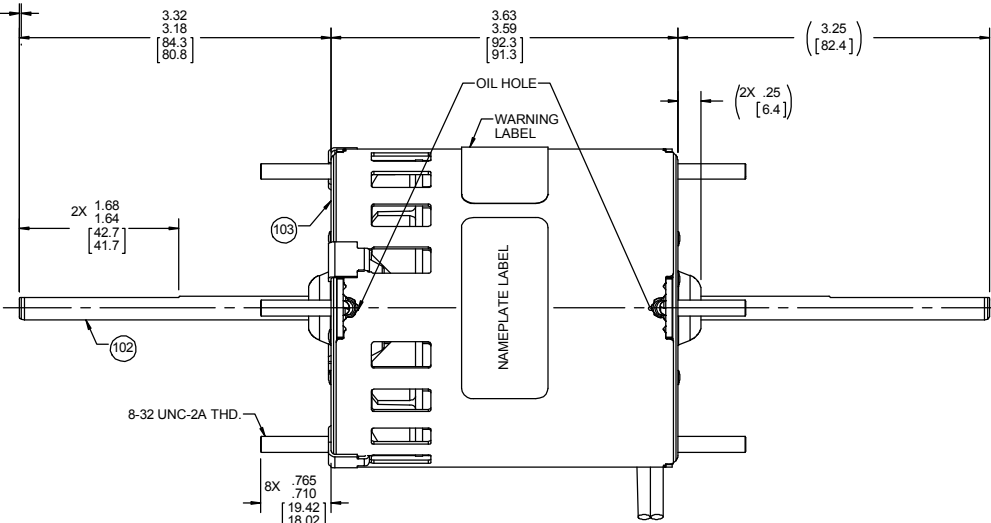
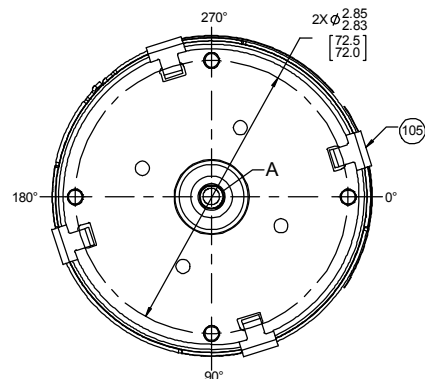
BACK END

ENDPLAY
.050
.010
[.25]

3.32
3.18
[84.3
80.8]

3.63
3.59
[92.3
91.3]

(3.25)
[82.4]



LEAD MATERIAL
18 GA. 125°C 2/64 INSUL
X-LINKED POLY.
(2) BLACK
14.00/12.00 [355.6/304.8]
.56/.44 [14.2/11.2] STRIP



ROTATION



DETAIL A
SHAFT

61305568

00464071

NOTES:
1. NO PACKAGING TAPE OVER CARTON LABEL.

SAFETY WARNING
This motor must be grounded in accordance with local or national electrical codes to prevent possible injury due to electrical shock

AVERTISSEMENT DE SÉCURITÉ
Ce moteur doit être fondée sur conformément à la réglementation locale ou national électrique codes pour prévenir d'éventuelles blessures en raison de choc électrique

FASCO Fasco Industries, Inc.
Motor Division

Assembled In Mexico
No. 71213273 TYPE U21 T.P. AO
115 V 60 Hz
1.12 A 3000 RPM
Model D209 1/30 HP
LR6319 Max Amb: 40°C

61298553

CUSTOMER:	FASCO DIST.	APPLICATION:	COUNTER SALES
CUSTOMER PN:	D209	MOTOR WEIGHT:	2.8 LBS.
		ENVIRONMENT:	DRY
UP		MOTOR TYPE	
DOWN		SHADED POLE	
B	LA	FR	A
00	21	30	F
REFERENCE SAMPLE		S	C
		04	OC
TYPICAL PERFORMANCE AT 115 VOLTS 60 HZ		E	B
		5	1
		A	0
		LOCKED	
		BREAK	
MOTOR SPEED	RPM	AMP	WATT
	3450	1.02	64
			10.0
			3050
			1.2
			92
			4.5
			1.52
			122
			14.0

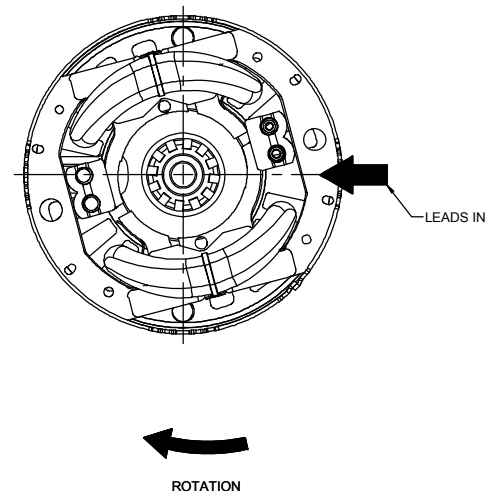
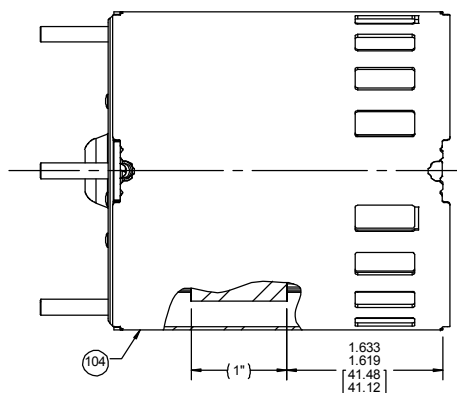
DRAWING REVISION AA	REVISION BY MLS	REV DATE/DATE 7/17/2019	TOLERANCES (EXCEPT AS NOTED): DEC .INCH .mm ANGLE .XX ±0.1 [E3] ° .XXX ±0.01 [±0.3] .XXX ±0.005 [±0.13] .XXX ±0.005 [±0.13] REMOVE BURRS & BREAK SHARP EDGES: .003/.015 [08/38] X 45° CORNER FILLETS: R.02 [.5] MACHINED SURFACES: .125/ .32 INCH/ mm mm DIMENSIONS IN [BRACKETS] ARE FOR REFERENCE ONLY	DRAWN BY MLS	DATE 7/17/2019	DESCRIPTION REGAL Regal Beloit America, Inc.
ECO-0170437	APPROVED BY SDM	DATE 7/17/2019	APPROVED BY SDM	DATE 7/17/2019	DESCRIPTION OUTLINE MOTOR ASSY	MATERIAL PROCESS/FINISH BLACK
THIRD ANGLE PROJECTION			SIZE C	DRAWING NUMBER 71213273	SHEET 1 OF 2	

NOTES:

1. ALL SPACING THRU AIR BETWEEN WIRE AND METAL MUST BE AT LEAST: .063 [1.60].

BACK END

FRONT END



PACKING SPECIFICATIONS

- 1. PACK 1 PER CONTAINER, 36 CONTAINERS PER LAYER, 8 LAYERS PER PALLET, 288 MAX. PER PALLET, PACKING ASSY. 87854000, PER 88834200 AND 88834408.
- 2. CARTON LABELS MUST ALL FACE ONE DIRECTION TOWARD THE OPEN END OF THE PALLET. SEE 88834408.

DRAWING REVISION AA		REVISION BY MLS	REV DATE/DATE 7/17/2019	TOLERANCES (EXCEPT AS NOTED):		DRAWN BY MLS		Regal Beloit America, Inc.
ECO-0170437		APPROVED BY SDM	DATE 7/17/2019	DEC X	INCH ±0.1	mm [E3]	ANGLE ±1°	
ECO DESCRIPTION UPDATED WARNING LABEL				.XX	±0.01	[±0.3]		DATE 7/17/2019
REMOVE BURRS & BREAK SHARP EDGES: .003/.015 [08/38] X 45° CORNER FILLETS: R.02 [.5] MACHINED SURFACES: 125/ 3.2 INCH/ mm mm DIMENSIONS IN [BRACKETS] ARE FOR REFERENCE ONLY.				.XXX	±0.005	[±0.13]		APPROVED BY SDM
				.XXX	±0.005	[±0.013]		DATE 7/17/2019
THIRD ANGLE PROJECTION				SIZE C		DRAWING NUMBER 71213273		PROCESS/FINISH BLACK
								SHEET 2 OF 2