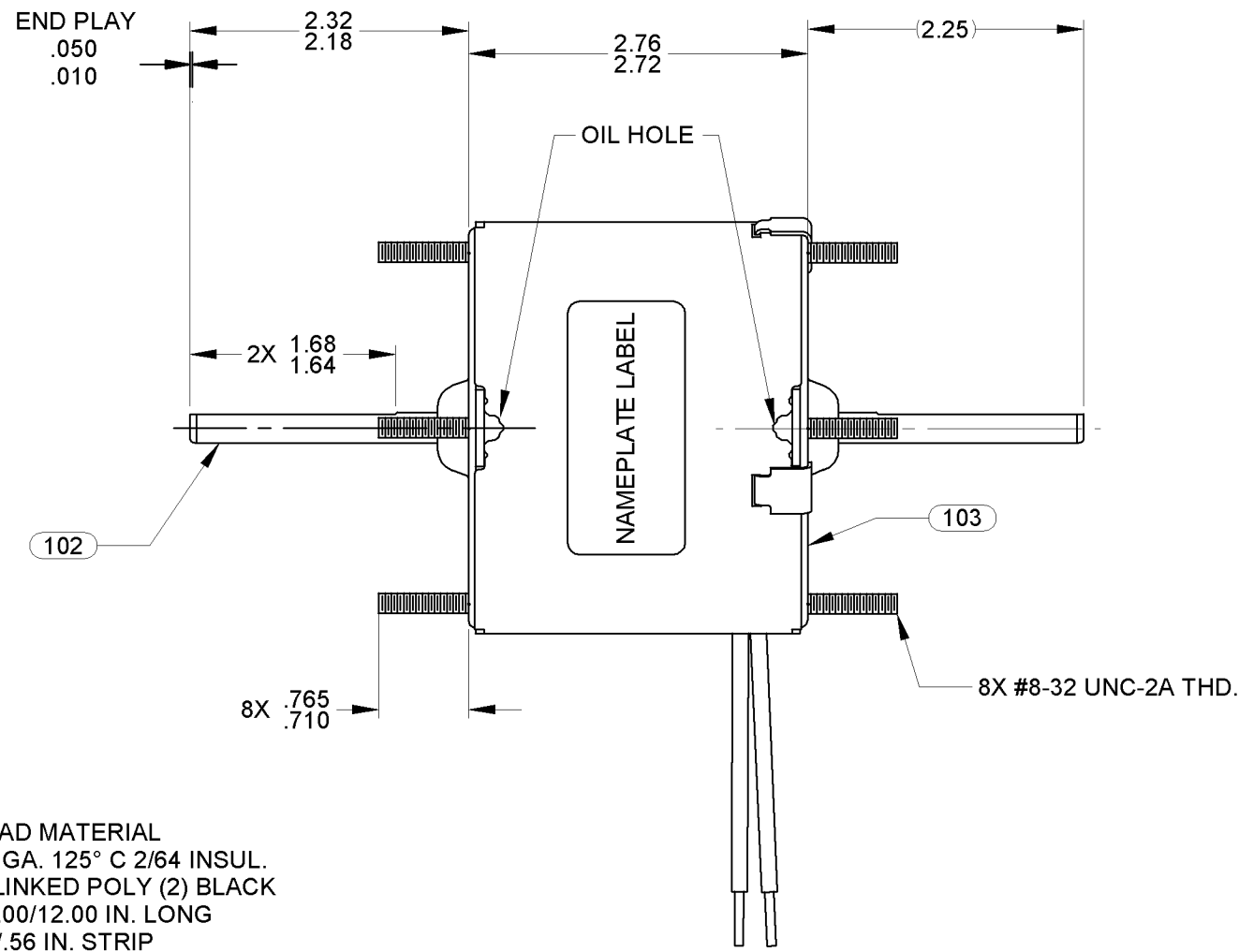
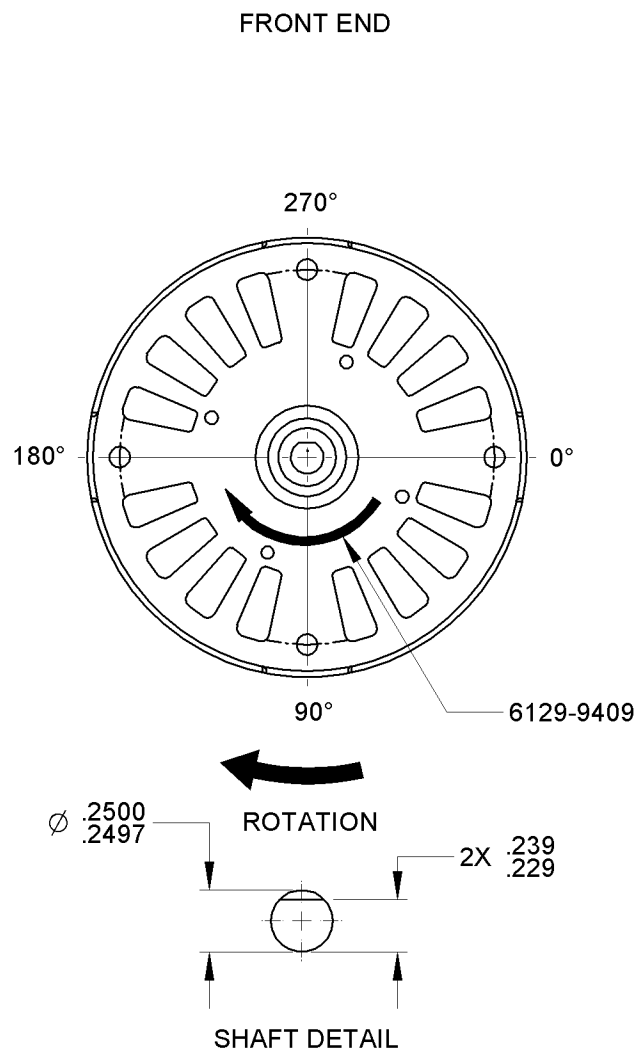
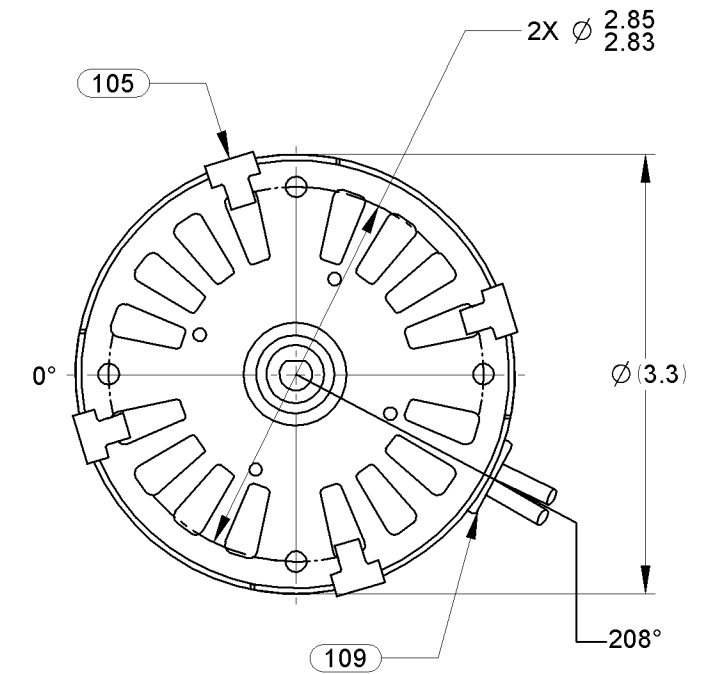


31	UPDATED N/P FORMAT, REMOVED WARNING LABEL BGP 11/05/07	32	REMOVE BARCODE, UPDATE N/P & UPDATE TO CURRENT STANDARDS. KSA 11/10/09	33	ADDED CARTON LABEL NOTES 4001881 MLM 5/2/11	STANDARD TOLERANCES: ANGULAR +/- 1 DEGREE 2 PLACE DECIMAL +/- .01 3 PLACE DECIMAL +/- .005
----	---	----	---	----	---	---



LEAD MATERIAL  
18 GA. 125° C 2/64 INSUL.  
X-LINKED POLY (2) BLACK  
14.00/12.00 IN. LONG  
68/.56 IN. STRIP



- NOTES:  
1. NO PACKAGING TAPE OVER CARTON LABEL.

6129-9409  
STAMP ROTATION  
ARROW ON WELD  
PLATE PER  
OUTLINE ABOVE

0046-4072

0046-4282

**FASCO**  
Assembled In Mexico  
No. 71213274  
230 V  
.64 A  
Model D207  
LR36496

Fasco Industries, Inc  
Motor Division

TYPE U21  
60 Hz  
3000 RPM

T.P. AO

**SAFETY WARNING**

This Motor Must Be  
Grounded in  
Accordance With Local  
Or National Electrical  
Codes To Prevent  
Possible Injury Due To  
Electrical Shock

1/30 HP  
Max Amb: 40°C

6129 9553

FRONT SHAFT POSITION	TYPICAL PERFORMANCE AT 230 VOLTS 60 Hz												CUSTOMER:	FASCO DIST.	<div style="display: flex; align-items: center;"> <b>FASCO MOTORS GROUP</b>                      AC MOTOR/BLOWER DIVISION                 </div>									
	HORIZONTAL  DOWN	MOTOR SPEED	IDLE			LOADED			LOCKED			BREAK												
R.P.M.			AMP.	WATT	IN.OZ.	R.P.M.	AMP.	WATT	IN.OZ.	AMP.	WATT	IN.OZ.	D207	COUNTER SALES	2.5 LBS.	DRY	BLACK	RPT	AUGUST 17, 2006					
		3450	.53	63	10.0	3050	.64	95	4.5	.74	118	13.4												
CUSTOMER APPROVAL:																								
SIGNED:																								
DATE:																								

**CONFIDENTIAL:** DO NOT DUPLICATE OR DISCLOSE TO THIRD PARTIES WITHOUT WRITTEN PERMISSION OF FASCO MOTORS GROUP, AC MOTOR/BLOWER DIVISION.

MOTOR TYPE					DRAWING NUMBER				
<b>SHADED POLE</b>					7121 3274				
B	LA	FR	A	S	C	E	B	A	REV.
00	21	30	V	04	AX	5	1	0	33