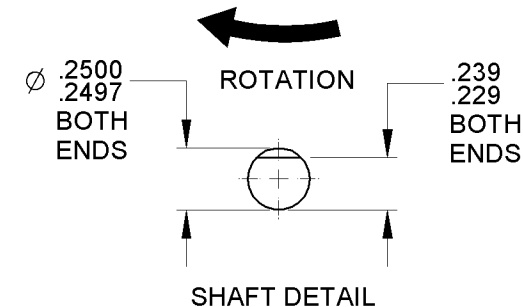
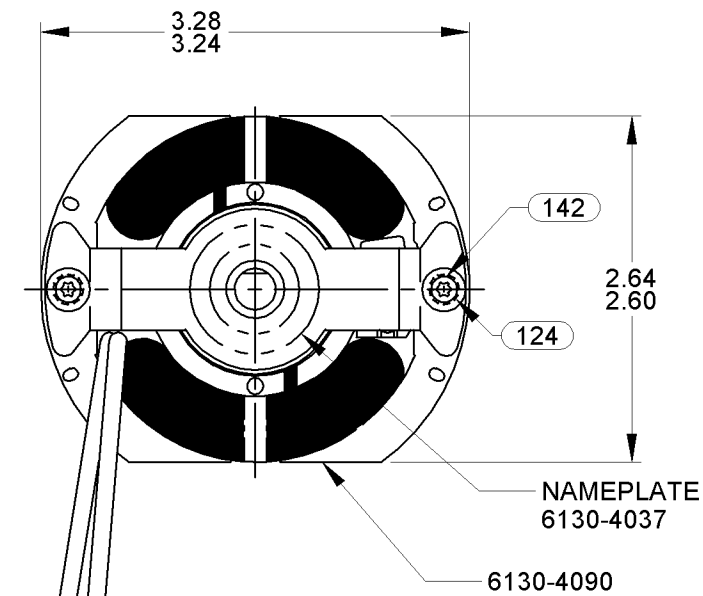
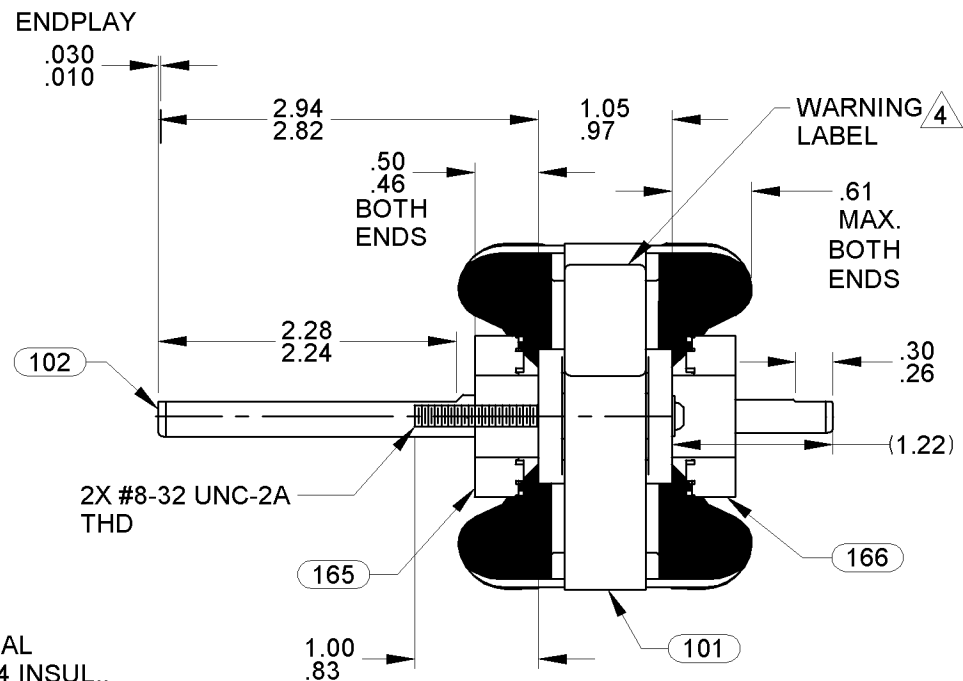
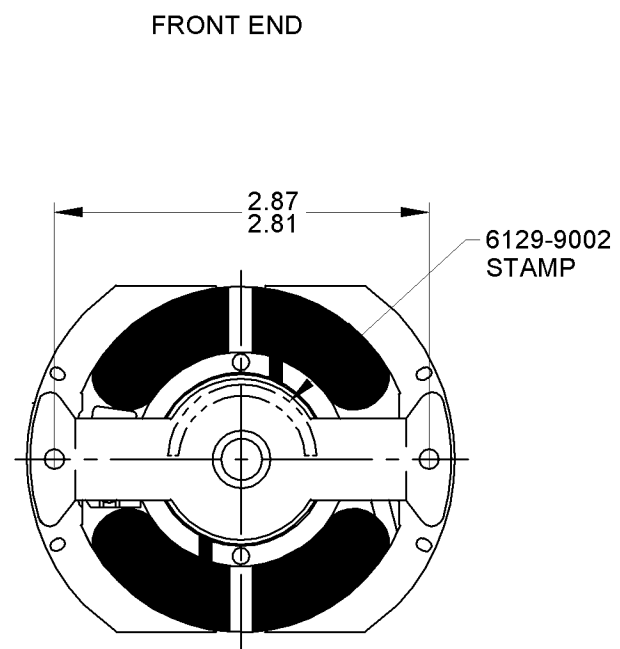


16	REDRAWN ON NEW SOLID EDGE TEMPLATE, CHG'D. DIM'S. DUE TO STACK & STAKE STATOR	BP/08/09/06	32	CHANGE WARNING LABEL TO 6129-4832.	4000601 SDM 12/22/10	33	CHANGE STAMP NOTE ON BRG. STRAP PRINTS.	4002012 SDM 05/13/11	STANDARD TOLERANCES: ANGULAR +/- 1 DEGREE 2 PLACE DECIMAL +/- .01 3 PLACE DECIMAL +/- .005		
----	---	-------------	----	------------------------------------	-------------------------	----	---	-------------------------	---	--	--



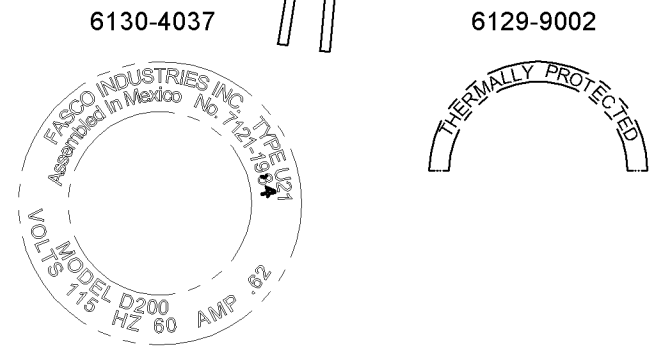
LEAD MATERIAL
18 GA., 125°C, 2/64 INSUL.,
CROSS-LINKED POLY.
(2) BLACK
14.00/12.00 IN. LONG
.68/.56 IN STRIP

NOTES:
1. NO PACKING TAPE OVER CARTON LABEL.

6129-4832

SAFETY WARNING

This Motor Must Be Grounded In Accordance With Local Or National Electrical Codes To Prevent Possible Injury Due To Electrical Shock



LOCATE N/P ON BACK BEARING STRAP ASSEMBLY AROUND BEARING SEAT TO READ RIGHT WITH TIE BOLTS IN HORIZONTAL PLANE. THERMALLY PROTECTED STAMP IS TO BE LOCATED ON FRONT BEARING STRAP ASSEMBLY AROUND BEARING SEAT TO READ RIGHT WITH TIE BOLTS IN HORIZONTAL PLANE.

FRONT SHAFT POSITION		TYPICAL PERFORMANCE AT 115 VOLTS 60 Hz											CUSTOMER: FASCO DIST.		FASCO MOTORS GROUP AC MOTOR/BLOWER DIVISION CONFIDENTIAL: DO NOT DUPLICATE OR DISCLOSE TO THIRD PARTIES WITHOUT WRITTEN PERMISSION OF FASCO MOTORS GROUP, AC MOTOR/BLOWER DIVISION.													
HORIZONTAL		MOTOR SPEED	IDLE			LOADED			LOCKED			BREAK	PART NUMBER: D200												APPLICATION: COUNTER SALES			
			R.P.M.	AMP.	WATT	IN.OZ.	R.P.M.	AMP.	WATT	IN.OZ.	AMP.	WATT	IN.OZ.	MOTOR WEIGHT:					ENVIRONMENT: DRY									
CUSTOMER APPROVAL:			3390	.63	43	4.0	2960	.69	54	2.5	.82	79	5.1	FINISH COLOR: NATURAL					MOTOR TYPE: SHADED POLE					DRAWING NUMBER: 7121 1984				
SIGNED:														DRAWN BY: B. POPPLEWELL					REV. 33									
DATE:														DATE DRAWN: 08/21/2006					B LA FR A S C E B A 00 21 01 X 01 OC 5 1 0									

If Printed, this is an Uncontrolled Document.