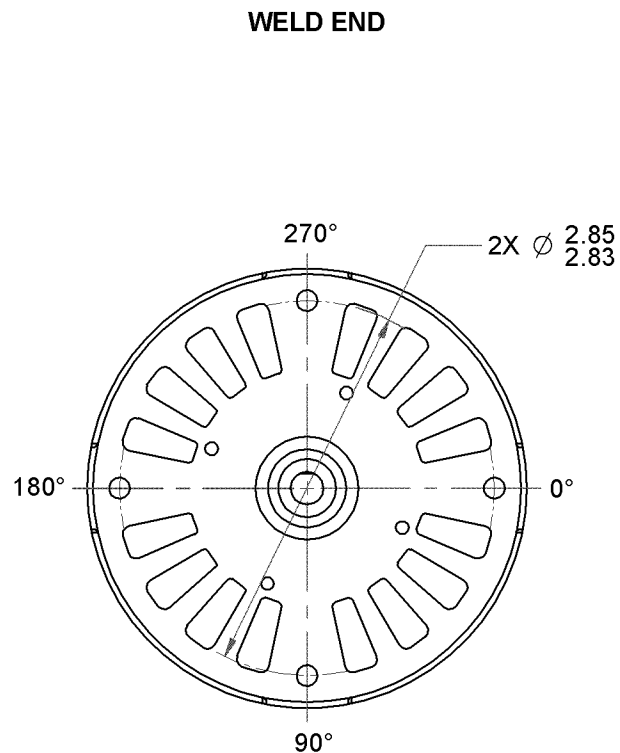
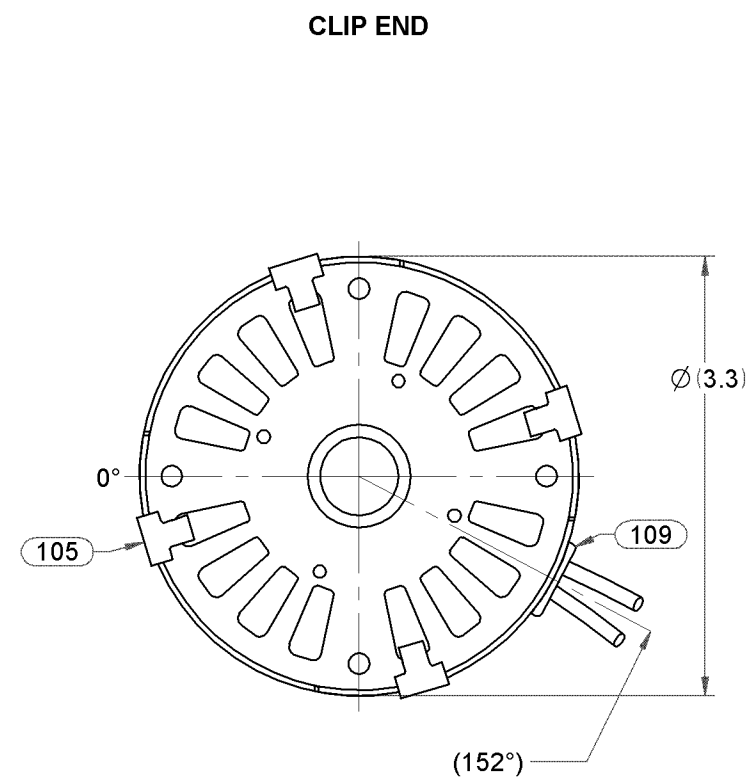
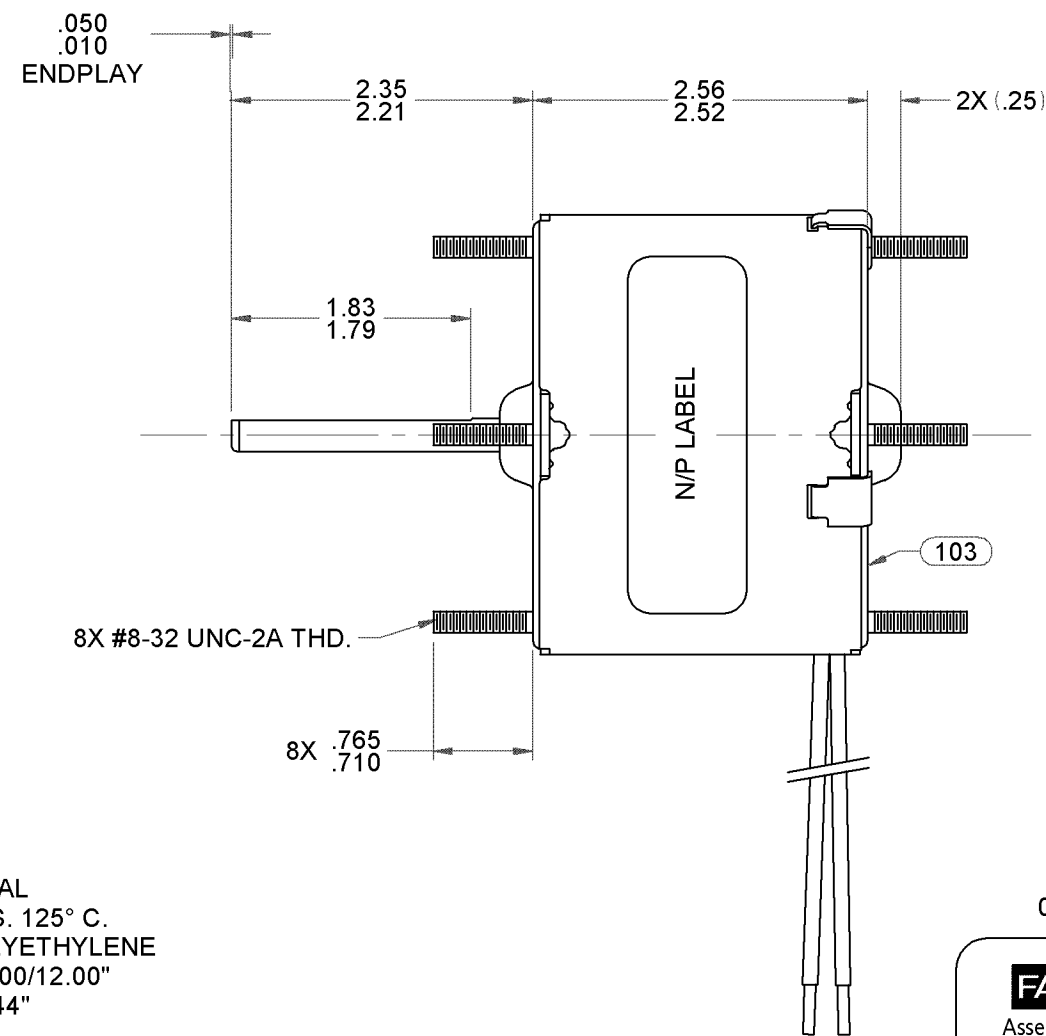
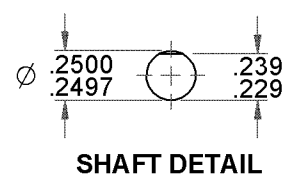


31	REVISED N/P LABEL	SD 1-30-08	32	REMOVE BARCODE AND UPDATE NAMEPLATE	KSA 11-04-09	33	ADDED CARTON LABEL NOTES	4002728 MLM 7/22/11	STANDARD TOLERANCES: ANGULAR +/- 1 DEGREE 2 PLACE DECIMAL +/- .01 3 PLACE DECIMAL +/- .005
----	-------------------	------------	----	-------------------------------------	--------------	----	--------------------------	------------------------	---



ROTATION



LEAD MATERIAL
18 GA 2/64 INS. 125° C.
X-LINKED POLYETHYLENE
(2) BLACK, 14.00/12.00"
W/STRIP .56/.44"

0046-4072

0046-4282

FASCO	Fasco Industries, Inc. Motor Division		SAFETY WARNING
Assembled in Mexico	TYPE U63B1	T.P. AO LR6319	This Motor Must Be Grounded in Accordance With Local Or National Electrical Codes To Prevent Possible Injury Due To Electrical Shock
No. 71631509	60/50 Hz	Class B	
230 V	1500/1250 RPM	1/40 HP	
0.6/0.7 A		Max. Amb: 40°C	
Model D190			

NOTES:
PACK 270 MOTORS MAX. PER PALLET.
NO PACKAGING TAPE OVER CARTON LABEL.

FRONT SHAFT POSITION	★ TYPICAL PERFORMANCE AT 230 VOLTS 60 Hz.											CUSTOMER: FASCO DIST.	FASCO FASCO MOTORS GROUP AC MOTOR/BLOWER DIVISION										
HORIZONTAL DOWN	MOTOR SPEED	IDLE			LOADED			LOCKED			BREAK	PART NUMBER: D190	CONFIDENTIAL: DO NOT DUPLICATE OR DISCLOSE TO THIRD PARTIES WITHOUT WRITTEN PERMISSION OF FASCO MOTORS GROUP, AC MOTOR/BLOWER DIVISION.										
		R.P.M.	AMP.	WATT	IN.OZ.	R.P.M.	AMP.	WATT	IN.OZ.	AMP.	WATT	IN.OZ.											APPLICATION: COUNTER SALES
		1760	.46	52	19.5	1550	.51	73	9.0	.75	109	22.8	MOTOR WEIGHT: 2.50 LBS.	MOTOR TYPE					DRAWING NUMBER				
CUSTOMER APPROVAL:													ENVIRONMENT: DRY	SHADED POLE					7163 1509				
SIGNED:													FINISH COLOR: BLACK	B	LA	FR	A	S	C	E	B	A	REV.
DATE:													DRAWN BY: S. DALTON	00	63	30	V	03	JU	5	1	0	33
													DATE DRAWN: 2-28-2002										

If Printed, this is an Uncontrolled Document.