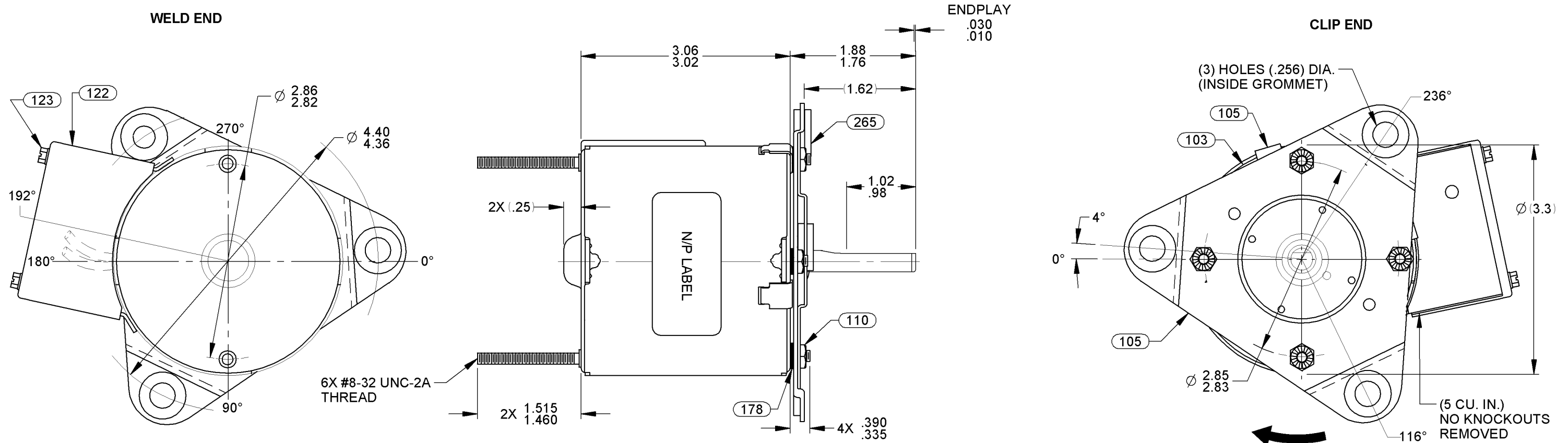


11	REVISED TO POWDER PAINT, UPDATED TYPICAL PERFORMANCE	SD 7-15-05	12	REVISED TO CURRENT STANDARDS	03/06/2008	13	REMOVED BARCODE AND ADDED CSA NUMBER TO N/P	BP 07/26/10	STANDARD TOLERANCES: ANGULAR +/- 1 DEGREE 2 PLACE DECIMAL +/- .01 3 PLACE DECIMAL +/- .005	
----	------------------------------------------------------	------------	----	------------------------------	------------	----	---------------------------------------------	-------------	-----------------------------------------------------------------------------------------------	--



LEAD MATERIAL
18GA. 125°C 2/64 INS.
X-LINK POLY., BLACK
9.00/7.00 IN. LONG
.56/.44 IN. STRIP

0046-4072

0046-4282

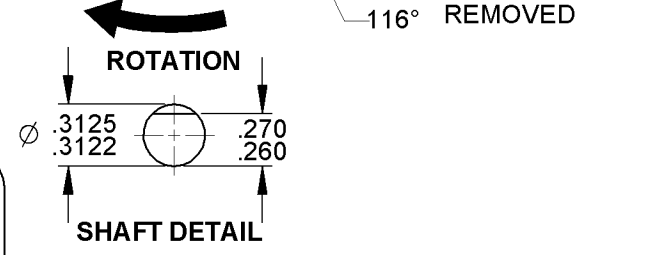
FASCO Fasco Industries, Inc. Motor Division

Assembled In Mexico

No. 71637875	TYPE U63B1	T.P. TEAO
115 V	60 Hz	Class B
1.2 A	1550 RPM	1/25 HP
Model D184		Max Amb: 40°C
LR6319		

SAFETY WARNING

This Motor Must Be Grounded in Accordance With Local Or National Electrical Codes To Prevent Possible Injury Due To Electrical Shock



NOTES:
1. PACK 180 MAX MOTORS PER PALLET

FRONT SHAFT POSITION	* TYPICAL PERFORMANCE AT 115 VOLTS 60 Hz.												CUSTOMER: FASCO DIST.	FASCO MOTORS GROUP AC MOTOR/BLOWER DIVISION CONFIDENTIAL: DO NOT DUPLICATE OR DISCLOSE TO THIRD PARTIES WITHOUT WRITTEN PERMISSION OF FASCO MOTORS GROUP, AC MOTOR/BLOWER DIVISION.																													
HORIZONTAL 	MOTOR SPEED	IDLE			LOADED			LOCKED			BREAK	PART NUMBER: D184	APPLICATION:																														
		R.P.M.	AMP.	WATT	IN.OZ.	R.P.M.	AMP.	WATT	IN.OZ.	AMP.	WATT	IN.OZ.	MOTOR WEIGHT: 4.19 POUNDS	MOTOR TYPE	DRAWING NUMBER																												
		1762	.96	53	25.9	1550	1.18	86	10.5	1.65	113	27.0	ENVIRONMENT: DRY	SHADED POLE	7163 7875																												
CUSTOMER APPROVAL:													FINISH COLOR: BLACK	<table border="1"> <tr> <td>B</td><td>LA</td><td>FR</td><td>A</td><td>S</td><td>C</td><td>E</td><td>B</td><td>A</td><td>REV.</td> </tr> <tr> <td>00</td><td>63</td><td>33</td><td>T</td><td>06</td><td>AU</td><td>5</td><td>3</td><td>0</td><td>13</td> </tr> </table>										B	LA	FR	A	S	C	E	B	A	REV.	00	63	33	T	06	AU	5	3	0	13
B	LA	FR	A	S	C	E	B	A	REV.																																		
00	63	33	T	06	AU	5	3	0	13																																		
SIGNED:													DRAWN BY: RM																														
DATE:													DATE DRAWN: 2-15-02																														

If Printed, this is an Uncontrolled Document.