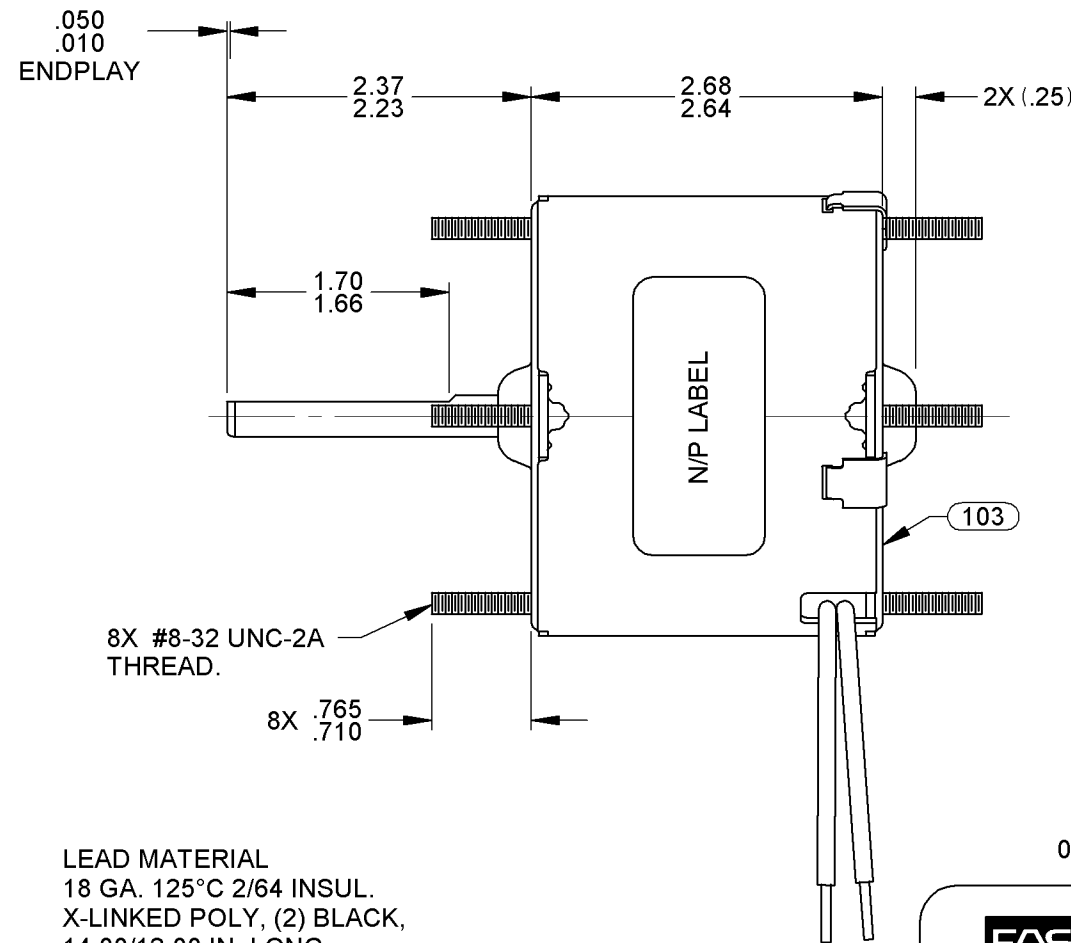
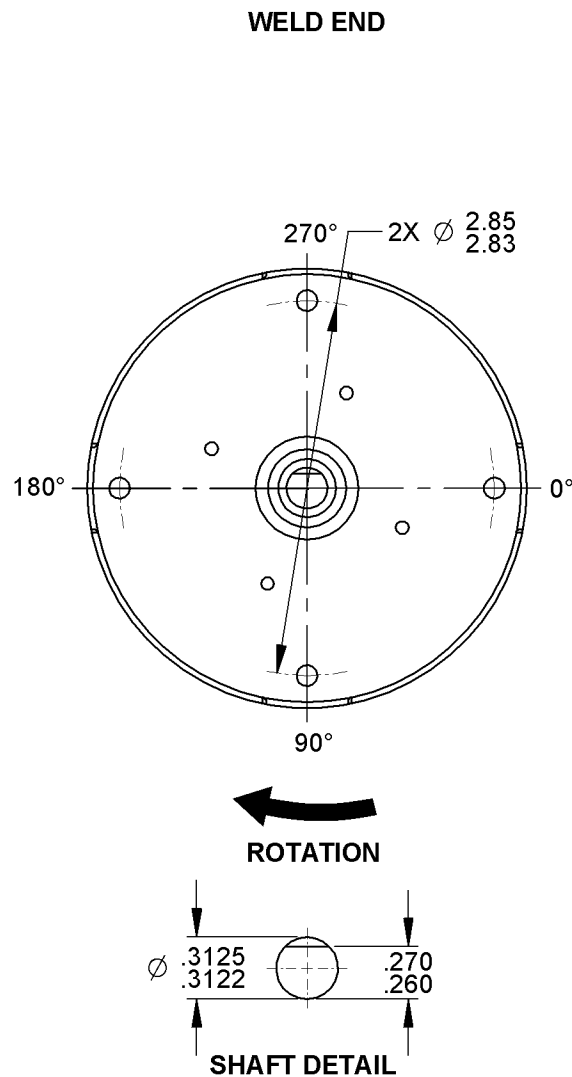
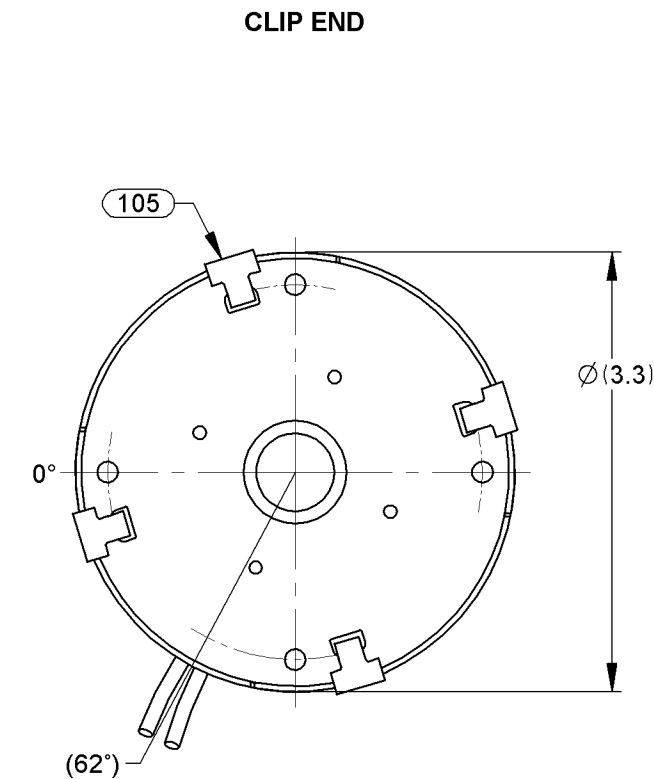


26	REVISED TO NEW N/P FORMAT.	11/29/2007	27	CHANGE N/P TO MATCH N/P LABEL LAYOUT.	SDM 01/12/10	28	ADDED CARTON LABEL NOTES	4002703 MLM 7/20/11	STANDARD TOLERANCES: ANGULAR +/- 1 DEGREE 2 PLACE DECIMAL +/- .01 3 PLACE DECIMAL +/- .005
----	----------------------------	------------	----	---------------------------------------	--------------	----	--------------------------	------------------------	---



LEAD MATERIAL
18 GA. 125°C 2/64 INSUL.
X-LINKED POLY, (2) BLACK,
14.00/12.00 IN. LONG
WITH .56/.44 IN. STRIP



0046-4072

0046-4282

FASCO Fasco Industries, Inc.
Motor Division

Assembled In Mexico

No. 71631486 TYPE U63B1 T.P. TEAO LR6319

115 V 60 Hz Class B

0.6 A 1500 RPM 1/60 HP

Model D182 Max Amb: 40°C

SAFETY WARNING

This Motor Must Be Grounded in Accordance With Local Or National Electrical Codes To Prevent Possible Injury Due To Electrical Shock

NOTES:
1. NO PACKAGING TAPE OVER CARTON LABEL.

FRONT SHAFT POSITION	* TYPICAL PERFORMANCE AT 120 VOLTS 60 Hz.										CUSTOMER: FASCO DIST.	FASCO FASCO MOTORS GROUP AC MOTOR/BLOWER DIVISION						
HORIZONTAL UP DOWN	MOTOR SPEED	IDLE			LOADED			LOCKED			BREAK	PART NUMBER: D182	CONFIDENTIAL: DO NOT DUPLICATE OR DISCLOSE TO THIRD PARTIES WITHOUT WRITTEN PERMISSION OF FASCO MOTORS GROUP, AC MOTOR/BLOWER DIVISION.					
		R.P.M.	AMP.	WATT	IN.OZ.	R.P.M.	AMP.	WATT	IN.OZ.	AMP.	WATT	IN.OZ.	APPLICATION: COUNTER SALES	MOTOR TYPE			DRAWING NUMBER	
		1750	.58	34	10.1	1590	.62	42	5.6	.92	67	12.8	MOTOR WEIGHT: 2.50 LBS.	SHADED POLE			7163 1486	
CUSTOMER APPROVAL:												ENVIRONMENT: DRY	B LA FR A S C E B A			REV. 28		
SIGNED:												FINISH COLOR: BLACK	00 63 30 T 03 BM 5 3 0					
DATE:												DRAWN BY: S. DALTON						
												DATE DRAWN: 7-30-2001						

If Printed, this is an Uncontrolled Document.