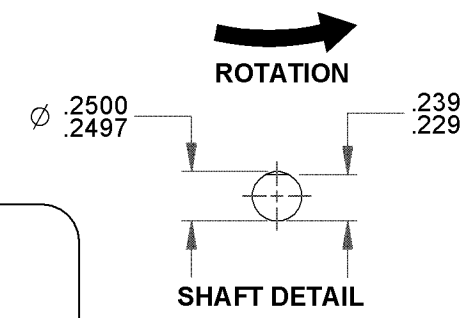
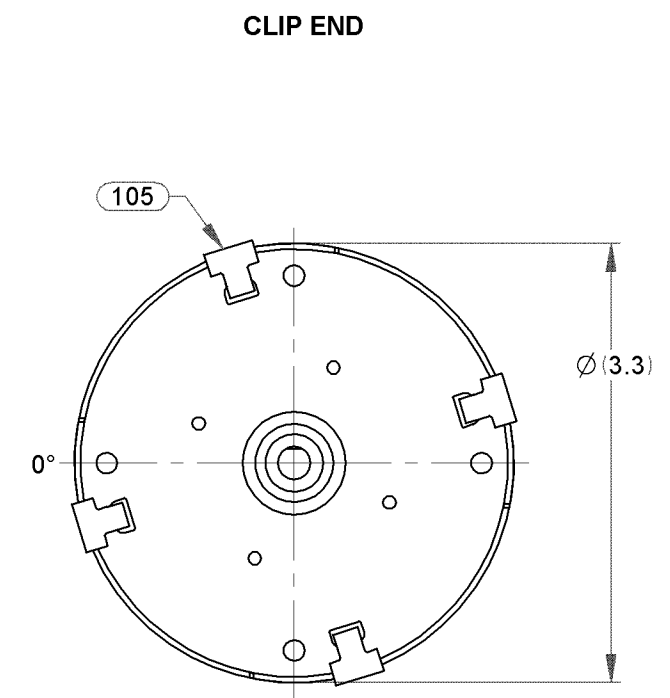
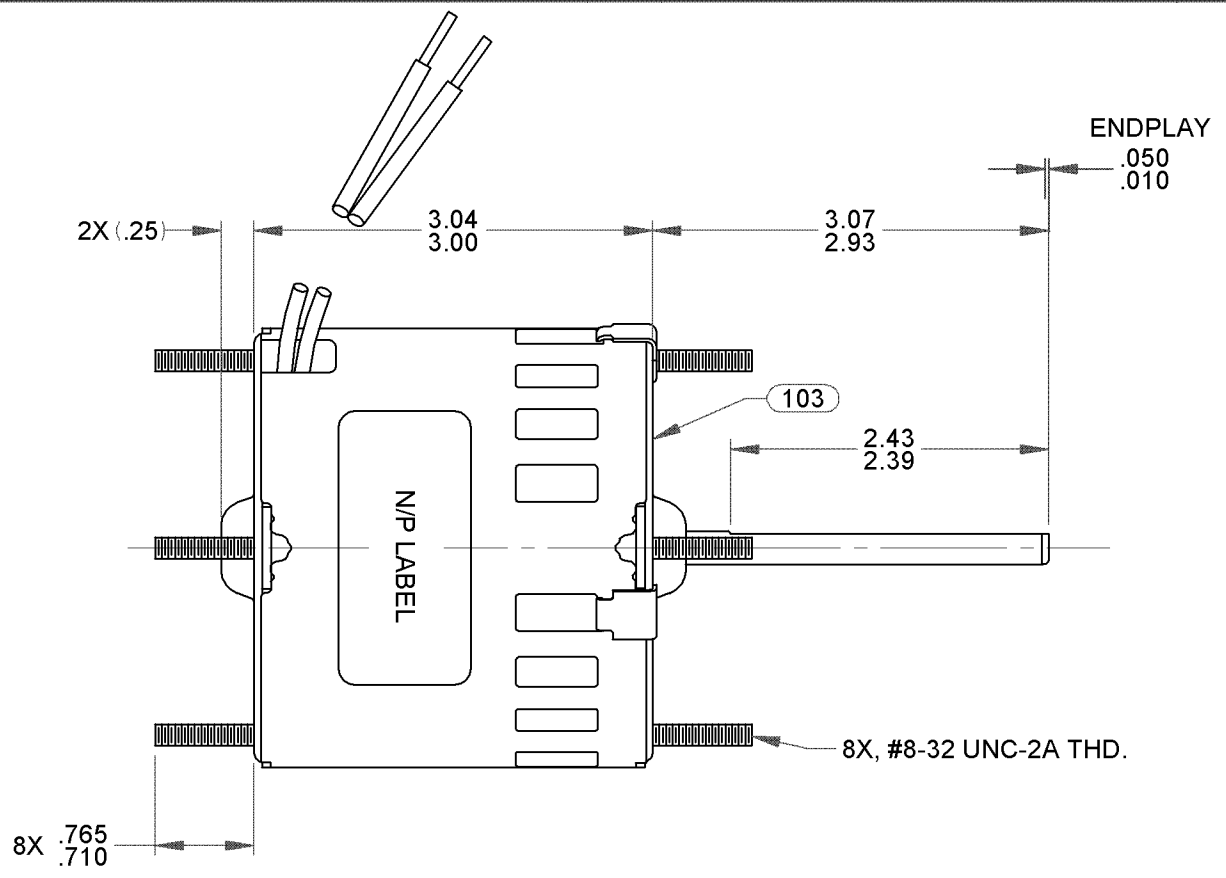
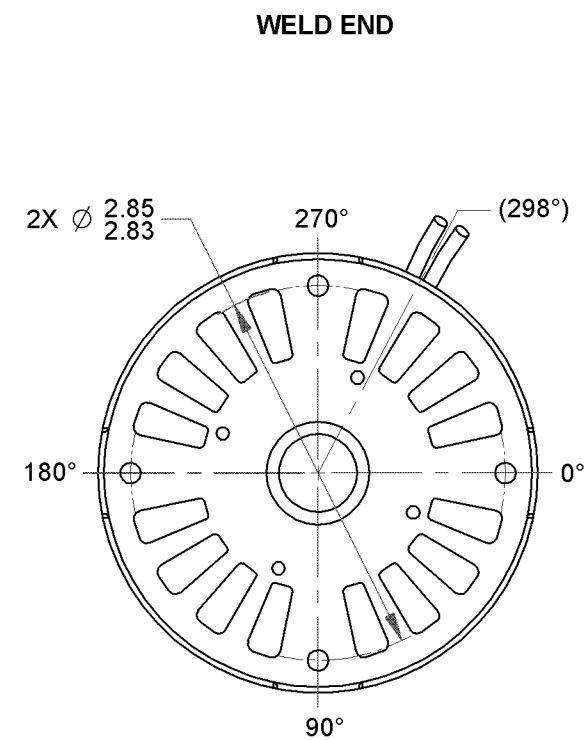


22	REVISED TO CURRENT STANDARDS	02/28/2008	23	REMOVED BARCODE AND ADDED CSA NO. TO N/P	BP 07/30/2010	24	REVISED PACKING AND SHOWED LEAD ENDS	4002674 MLM 7/18/11	STANDARD TOLERANCES: ANGULAR +/- 1 DEGREE 2 PLACE DECIMAL +/- .01 3 PLACE DECIMAL +/- .005
----	------------------------------	------------	----	--	---------------	----	--------------------------------------	------------------------	---



LEAD MATERIAL
18 GA. 2/64 INS. 125°C
X-LINK POLY., BLACK
14.00/12.00 IN. LONG
.56/.44 IN. STRIP

0046-4072
0046-4282

FASCO Motor Division
Assembled In Mexico

No. 71631481	TYPE U63B1	T.P. AO
115 V	60 Hz	Class B
0.7 A	1500 RPM	1/70 HP
Model D169		Max Amb: 40°C
LR6319		

SAFETY WARNING
⚡ This Motor Must Be Grounded in Accordance With Local Or National Electrical Codes To Prevent Possible Injury Due To Electrical Shock

- NOTES:
1. PACK 270 MOTORS MAX. PER PALLET.
 2. NO PACKING TAPE OVER CARTON LABEL.

FRONT SHAFT POSITION UP DOWN	TYPICAL PERFORMANCE AT 115 VOLTS 60 Hz.												CUSTOMER: FASCO DIST.	FASCO FASCO MOTORS GROUP AC MOTOR/BLOWER DIVISION								
	MOTOR SPEED	IDLE			LOADED			LOCKED			BREAK	PART NUMBER: D169										
		R.P.M.	AMP.	WATT	IN.OZ.	R.P.M.	AMP.	WATT	IN.OZ.	AMP.	WATT	IN.OZ.	APPLICATION: COUNTER SALES	CONFIDENTIAL: DO NOT DUPLICATE OR DISCLOSE TO THIRD PARTIES WITHOUT WRITTEN PERMISSION OF FASCO MOTORS GROUP, AC MOTOR/BLOWER DIVISION.								
	1710	.68	46	10.0	1480	.71	58	5.3	.91	78	12.1	MOTOR WEIGHT: 2.09 LBS.	MOTOR TYPE	DRAWING NUMBER								
CUSTOMER APPROVAL:												ENVIRONMENT: DRY	SHADED POLE		7163 1481							
SIGNED:												FINISH COLOR: BLACK										
DATE:												DRAWN BY: S. DALTON	B	LA	FR	A	S	C	E	B	A	REV.
												DATE DRAWN: 8-19-2004	00	63	30	F	01	OW	5	1	0	24

If Printed, this is an Uncontrolled Document.