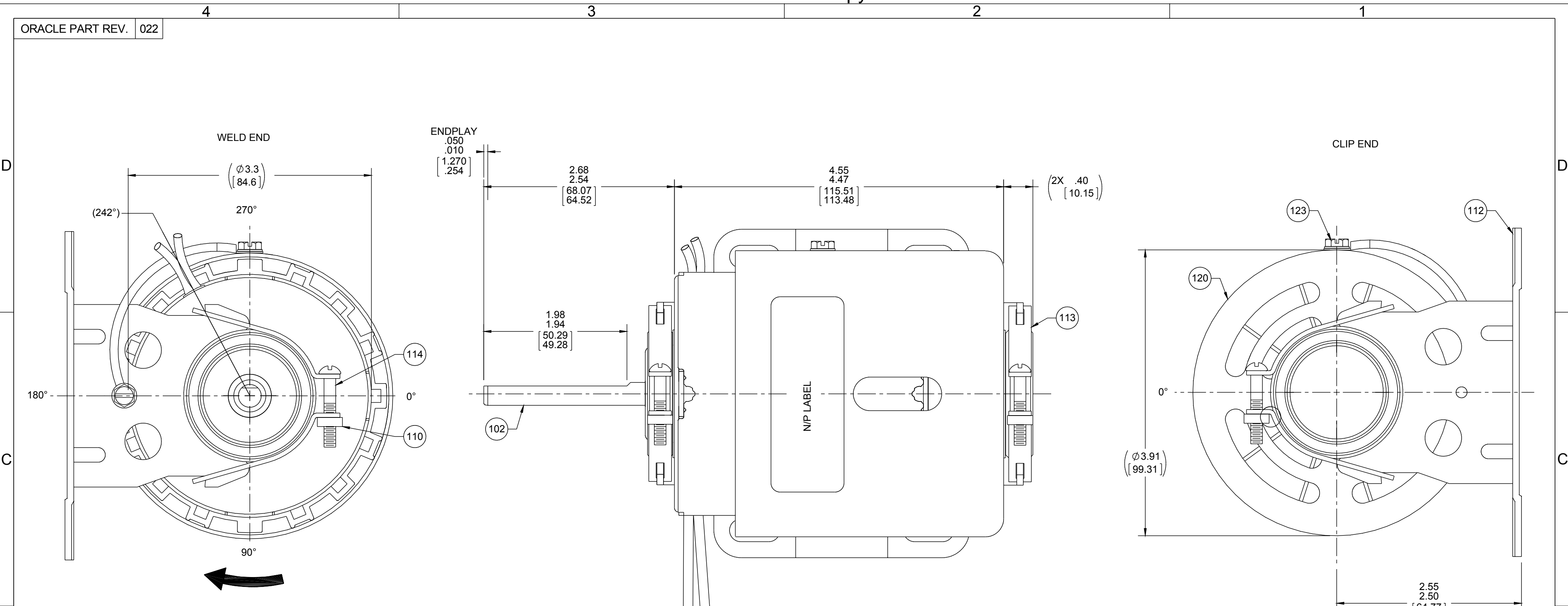


ORACLE PART REV. 022



NOTES:  
1. NO PACKAGING TAPE OVER CARTON LABEL.

SAFETY WARNING  
This motor must be grounded in accordance with local or national electrical codes to prevent possible injury due to electrical shock

AVERTISSEMENT DE SECURITE  
Ce moteur doit être fondée sur conformément à la réglementation locale ou national électrique codes pour prévenir d'éventuelles blessures en raison de choc électrique

61299553

61305568

82100000

00464071

FASCO Motor Division

Assembled in Mexico

No. 71631884 TYPE U63 TE E40513

115 V 60 Hz 1/25 HP

1.65 A 1500 RPM Max Amb:40°C

Model D138 Thermally Protected LR6319

CUSTOMER:	FASCO DIST.	APPLICATION:	COUNTER SALES				
CUSTOMER PN:	D138	MOTOR WEIGHT:	4.98 LBS.				
		ENVIRONMENT:	DRY				
MOTOR TYPE		REFERENCE SAMPLE					
SHADED POLE							
B	LA	FR	A				
00	63	29	T				
S							
05							
C	E	B	A				
OJ	5	3	0				
TYPICAL PERFORMANCE AT 115 VOLTS 60 HZ							
MOTOR SPEED	IDLE		LOADED		LOCKED		BREAK
	RPM	WATT	IN OZ	RPM	WATT	IN OZ	IN OZ
1745	1.31	72	30	1550	1.53	111	10.4
							2.39
							161
							34.2

DRAWING REVISION AC	REVISION BY KSA	DATE 8/3/2015	TOLERANCES UNLESS OTHERWISE SPECIFIED: DEC. INCH mm ANGLE ±1°	DRAWN BY KSA	REGAL Regal Beloit America, Inc.
ECO-0074037	APPROVED BY MLS	DATE 8/3/2015	.X ±0.1 [±2.5] .XX ±0.01 [±0.25] .XXX ±0.005 [±0.127] .XXXX ±0.0005 [±0.0127]	DATE 8/3/2015	DESCRIPTION MOTOR ASSY
REMOVE NOTE 2 FROM BLAST COOLED SPEC.			REMOVE BURRS & BREAK SHARP EDGES: .003/.015 [076/.381] X 45° CORNER FILLETS: R.02 [51] MACHINED SURFACES: .125/INCH 3.2/mm SHOWN IN [BRACKETS]	APPROVED BY MLS	MATERIAL PROCESS/FINISH BLACK
COPYRIGHT REGAL BELOIT AMERICA, INC. ALL RIGHTS RESERVED. PROPRIETARY AND CONFIDENTIAL INFORMATION - THIS DOCUMENT IS THE PROPERTY OF REGAL BELOIT AMERICA, INC. (OWNER) AND CONTAINS OWNER'S PROPRIETARY INFORMATION. ANY PERSON, CORPORATION OR OTHER FIRM RECEIVING IT IS DEEMED, BY RECEIVING IT, TO AGREE THAT IT, AND/OR ANY PART OF IT, SHALL NOT BE DISCLOSED TO ANY PERSON, CORPORATION OR OTHER ENTITY, DUPLICATED, AND/OR USED, EXCEPT AS EXPRESSLY APPROVED IN WRITING IN ADVANCE BY OWNER. THIS DOCUMENT SHALL BE RETURNED TO OWNER UPON REQUEST. IT MAY BE SUBJECT TO CERTAIN RESTRICTIONS UNDER APPLICABLE EXPORT CONTROL LAWS AND REGULATIONS.			DATE 8/3/2015	THIRD ANGLE PROJECTION	SIZE DRAWING NUMBER 71631884
					SHEET 1 OF 2

ORACLE PART REV. 022

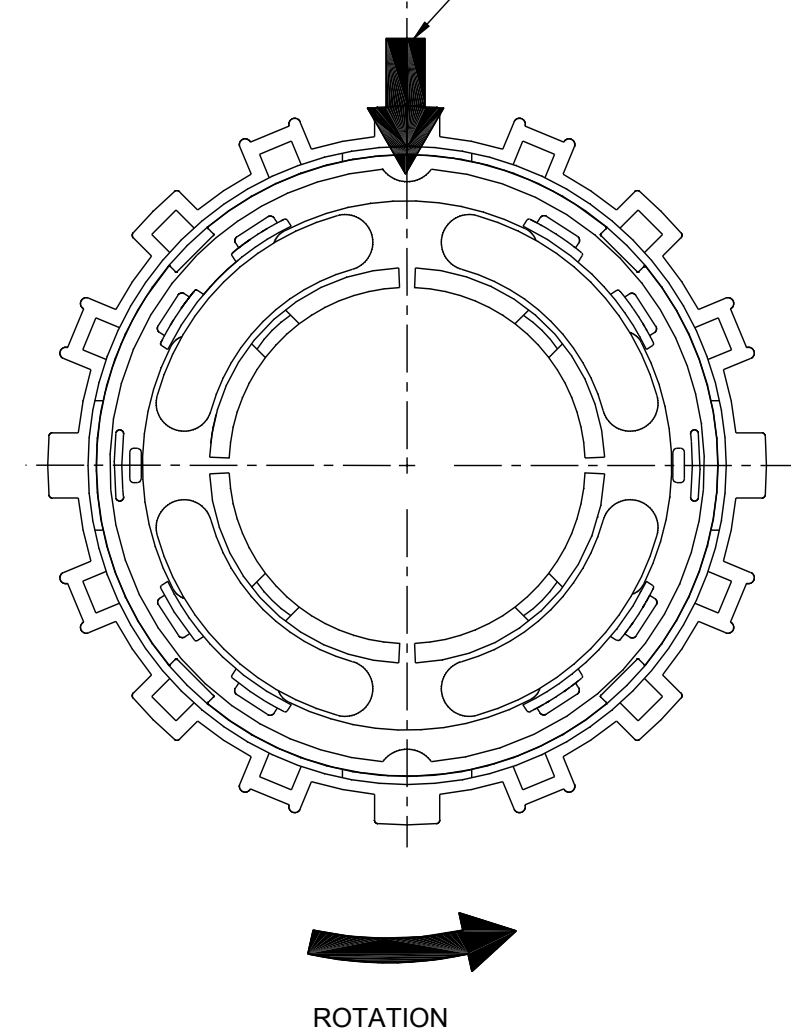
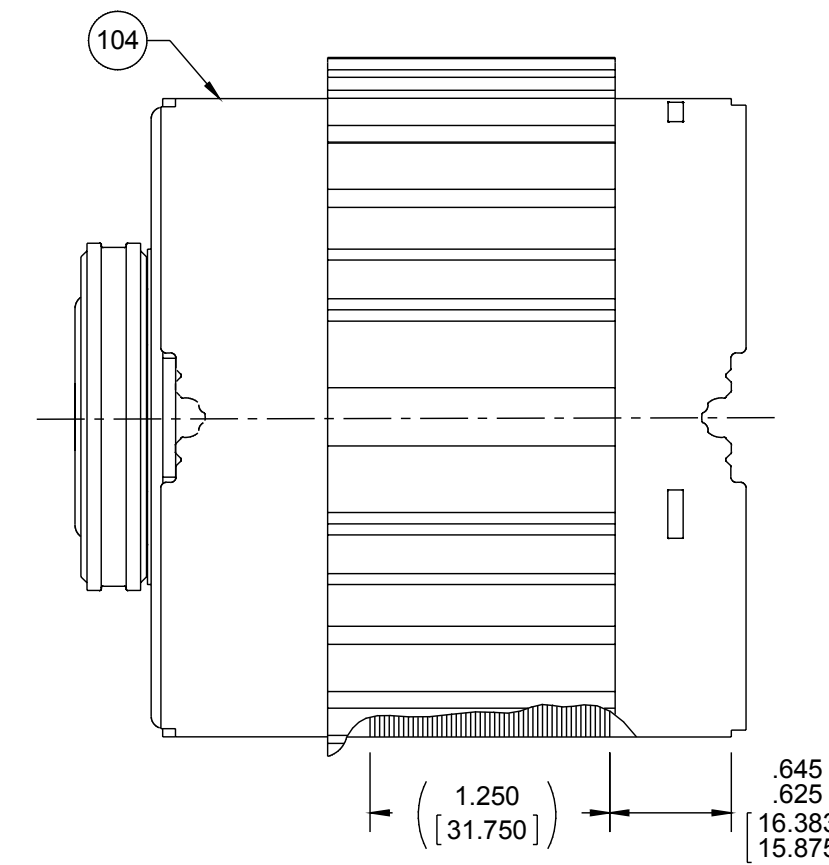
NOTES:

1. MAXIMUM TORQUE REQUIRED TO TURN MOTOR SHAFT IS 3/8 INCH-OUNCE.
2. MAKE-UP WASHERS ARE TO BE ADDED OR REMOVED TO ACHIEVE REQUIRED ENDPLAY.
3. ASSEMBLE GROUND STRAP TO COOLING CASE AND BASE BRACKET BY DRILLING A PILOT HOLE WITH A #27 DRILL .353/.293 [8.966/7.442] DEEP AT CENTER OF DRILL. ATTACH GROUND LEAD AND COOLING CASE WITH A SCREW AT LOCATION SHOWN. TURN TERMINALS SO THERE WILL BE NO SLACK IN GROUND STRAP. TORQUE MOUNTING SCREWS TO 5-10 IN. LBS.
4. SEE ROTOR AND SHAFT DRAWING FOR WASHER SETUP.

WELD END

CLIP END

LEADS IN



BLAST COOLED SPECIFICATIONS

1. FAN MUST TRACK WITHIN .035 [.889] AND HAVE .10 [.25] MIN. CLEARANCE TO BEARING BOSS AFTER PRESS ON OPERATION.
2. DIMENSION OVER ENDPLATES TO BE 3.24 / 3.20 [82.30/81.28].

PACKING SPECIFICATIONS

1. PACK PER P.S. 88834200. 1 PER CARTON, 35 PER LAYER, 6 LAYERS PER PALLET, 210 PER PALLET.
2. PLACE FILLER TUBE OVER SHAFT EXTENSION, PLACE MOTOR IN CARTON, CLOSE FLAPS AND TAPE. PLACE CARTON LABEL ON SHAFT END OF CARTON.
3. PLACE (1) FLAT PAD ON PALLET, (1) BETWEEN EACH LAYER AND (1) ON TOP.
4. CARTON LABELS MUST ALL FACE ONE DIRECTION TOWARD THE OPEN END OF THE PALLET. SEE P.S. 88834408.

DRAWING REVISION AC	REVISION BY KSA	DATE 8/3/2015	TOLERANCES UNLESS OTHERWISE SPECIFIED: DEC. INCH mm ANGLE	DRAWN BY KSA	REGAL™ Regal Beloit America, Inc.	
ECO-0074037	APPROVED BY MLS	DATE 8/3/2015	.X ±0.1 [±2.5] .XX ±0.01 [±0.25] .XXX ±0.005 [±0.127] .XXXX ±0.0005 [±0.0127]	DATE 8/3/2015	DESCRIPTION MOTOR ASSY	
REMOVE NOTE 2 FROM BLAST COOLED SPEC.			REMOVE BURRS & BREAK SHARP EDGES: .003/.015 [.076/.381] X 45° CORNER FILLETS: R.02 [.51] MACHINED SURFACES: 125/3.2 INCH/mm	APPROVED BY MLS	MATERIAL	
<small>COPYRIGHT REGAL BELOIT AMERICA, INC. ALL RIGHTS RESERVED. PROPRIETARY AND CONFIDENTIAL INFORMATION - THIS DOCUMENT IS THE PROPERTY OF REGAL BELOIT AMERICA, INC. ("OWNER") AND CONTAINS OWNER'S PROPRIETARY INFORMATION. ANY PERSON, CORPORATION OR OTHER FIRM RECEIVING IT IS DEEMED, BY RECEIVING IT, TO AGREE THAT IT, AND/OR ANY PART OF IT, SHALL NOT BE DISCLOSED TO ANY PERSON, CORPORATION OR OTHER ENTITY, DUPLICATED, AND/OR USED, EXCEPT AS EXPRESSLY APPROVED IN WRITING IN ADVANCE BY OWNER. THIS DOCUMENT SHALL BE RETURNED TO OWNER UPON REQUEST. IT MAY BE SUBJECT TO CERTAIN RESTRICTIONS UNDER APPLICABLE EXPORT CONTROL LAWS AND REGULATIONS.</small>			DATE 8/3/2015	REFERENCE	PROCESS/FINISH BLACK	
THIRD ANGLE PROJECTION				SIZE C	DRAWING NUMBER 71631884	SHEET 2 OF 2