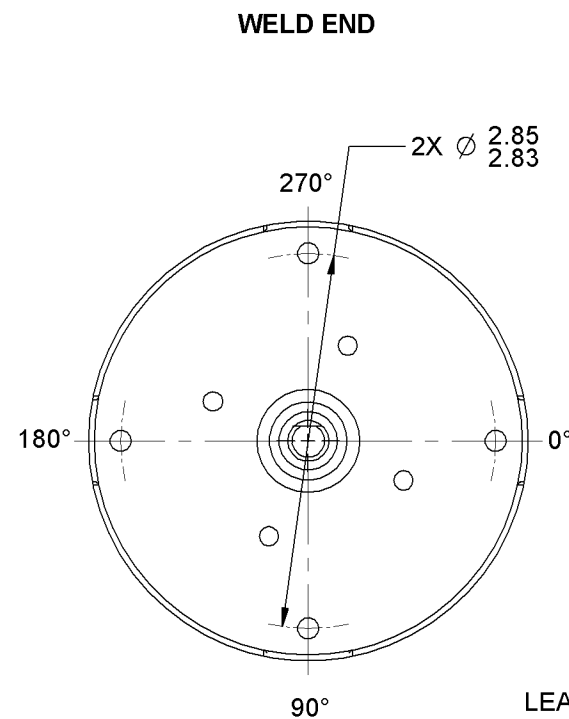
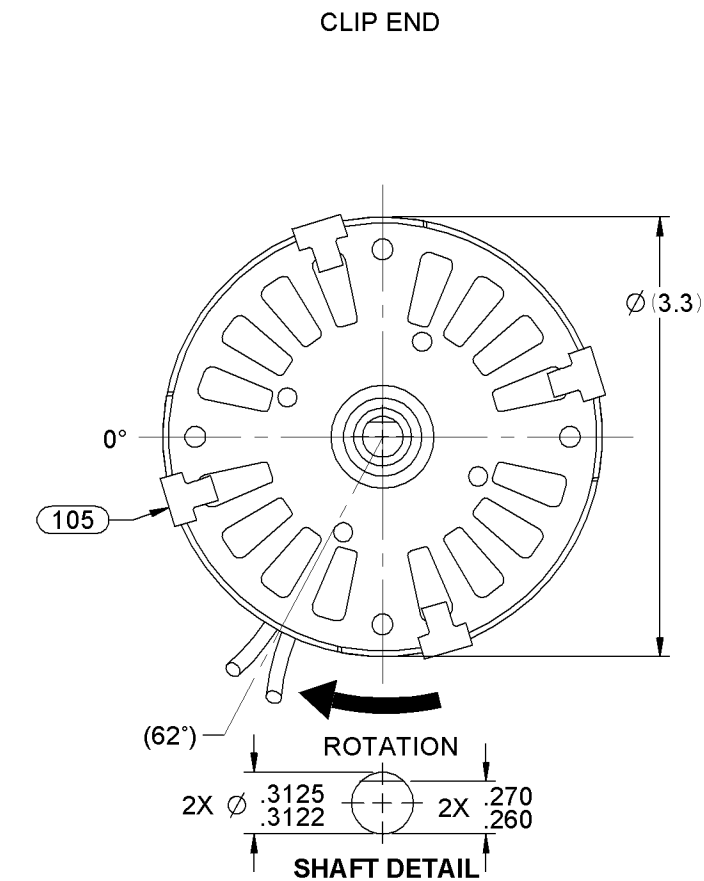
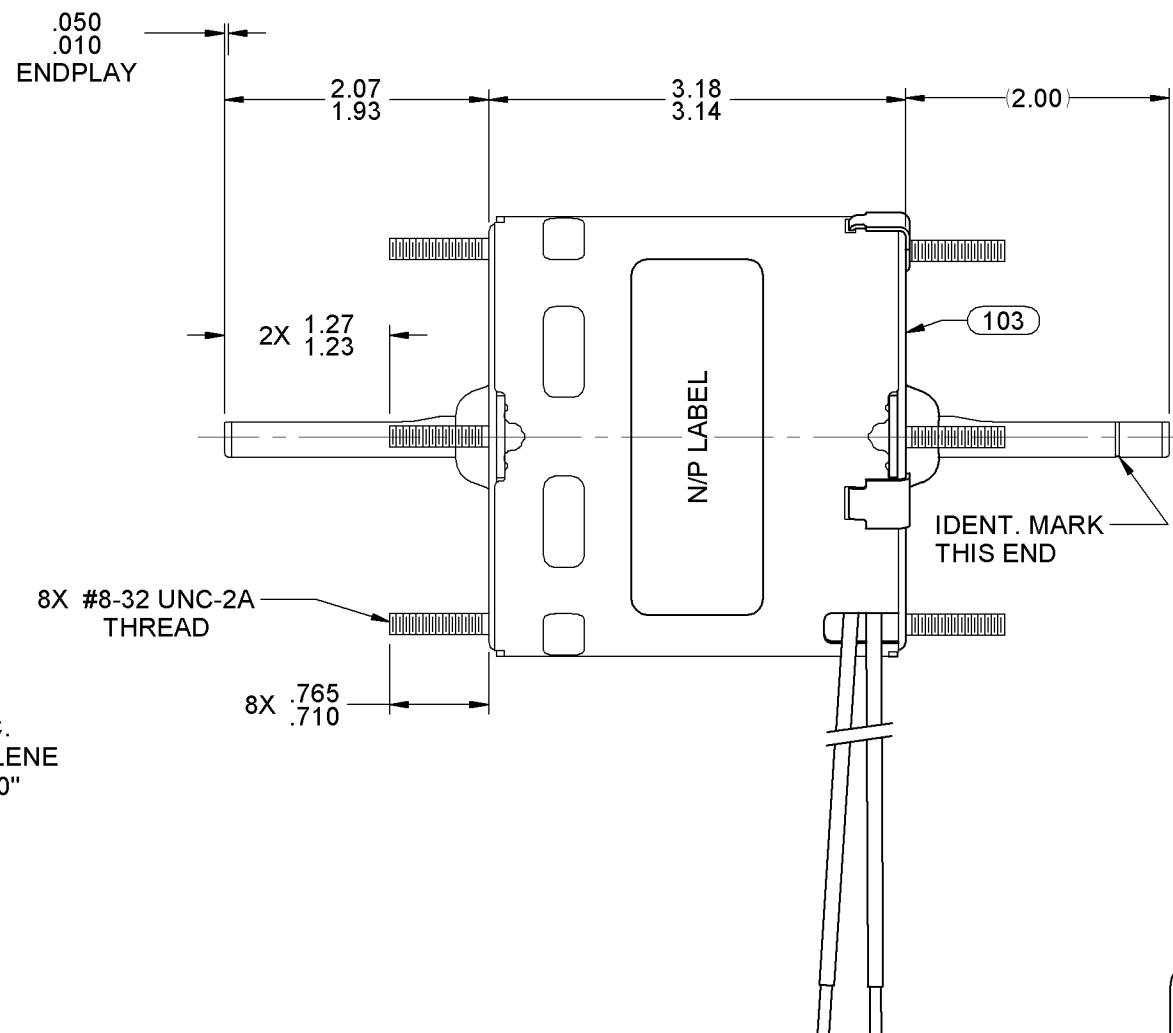


16	UPDATE STANDARD NOTES AND DIMENSIONS.	SMM 8-9-05	17	REVISED NAMEPLATE LABEL	SD 10-1-07	18	REMOVED BARCODE FROM & ADDED CSA NO. TO N/P	BGP 07/30/10	STANDARD TOLERANCES: ANGULAR +/- 1 DEGREE 2 PLACE DECIMAL +/- .01 3 PLACE DECIMAL +/- .005
----	---------------------------------------	------------	----	-------------------------	------------	----	---	--------------	---



LEAD MATERIAL
18 GA. 2/64 INS. 125°C.
X-LINKED POLYETHYLENE
(2) BLACK 14.00 / 12.00"
W/STRIP .68 / .56"



0046 4072

0046 4282



Fasco Industries, Inc.
Motor Division



Assembled in Mexico

No. 71631424 Type U63B1 T.P. AO
115 V 60 Hz Class B
1.3 A 1500 RPM 1/30 HP
Model D136 Max Amb: 40° C
Rot: CWLE LR6319

SAFETY WARNING



This Motor Must Be Grounded in Accordance With Local Or National Electrical Codes To Prevent Possible Injury Due To Electrical Shock

6129 9553

NOTES:

1. PACK 450 MOTORS MAX. PER PALLET.
2. NO PACKING TAPE OVER CARTON LABEL.

FRONT SHAFT POSITION		* TYPICAL PERFORMANCE AT 115 VOLTS 60 Hz.											CUSTOMER: FASCO, DIST.		FASCO MOTORS GROUP AC MOTOR/BLOWER DIVISION CONFIDENTIAL: DO NOT DUPLICATE OR DISCLOSE TO THIRD PARTIES WITHOUT WRITTEN PERMISSION OF FASCO MOTORS GROUP, AC MOTOR/BLOWER DIVISION.									
HORIZONTAL 		MOTOR SPEED		IDLE			LOADED			LOCKED			BREAK	PART NUMBER: D136										
CUSTOMER APPROVAL: SIGNED: DATE:		R.P.M.	AMP.	WATT	IN.OZ.	R.P.M.	AMP.	WATT	IN.OZ.	AMP.	WATT	IN.OZ.	IN.OZ.	APPLICATION:										
		1742	.90	53	20.5	1630	1.03	72	8.2	1.57	106	25.8	MOTOR WEIGHT: 3.62 POUNDS											
													ENVIRONMENT: DRY		MOTOR TYPE					DRAWING NUMBER				
													FINISH COLOR: BLACK		SHADED POLE					7163 1424				
													DRAWN BY: S. M. MAGGARD		B	LA	FR	A	S	C	E	B	A	REV.
													DATE DRAWN: 6-03-2003		00	63	30	V	06	OS	5	3	0	18