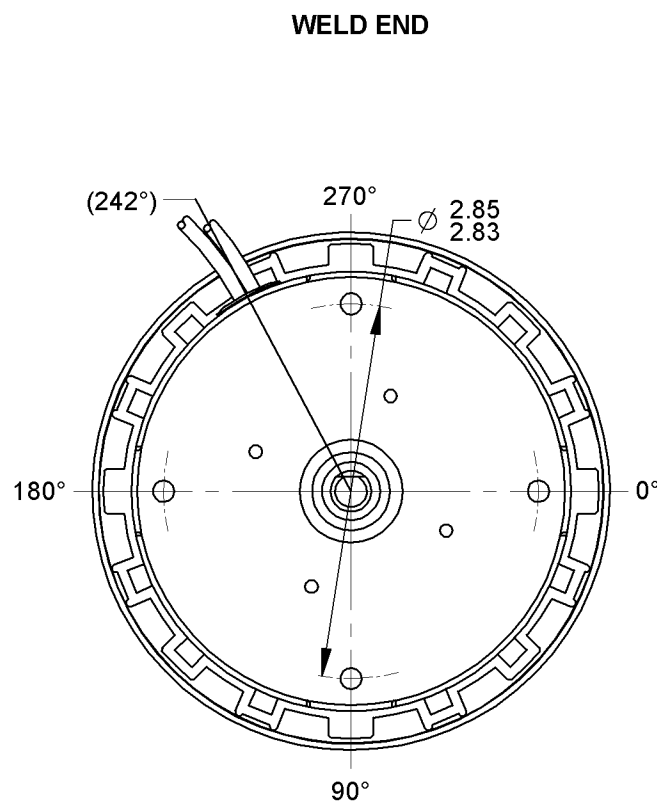
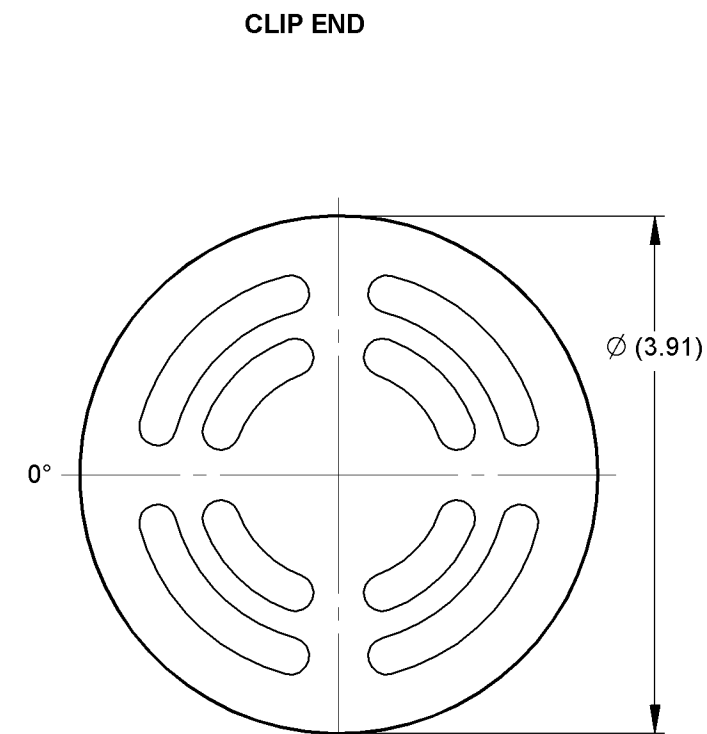
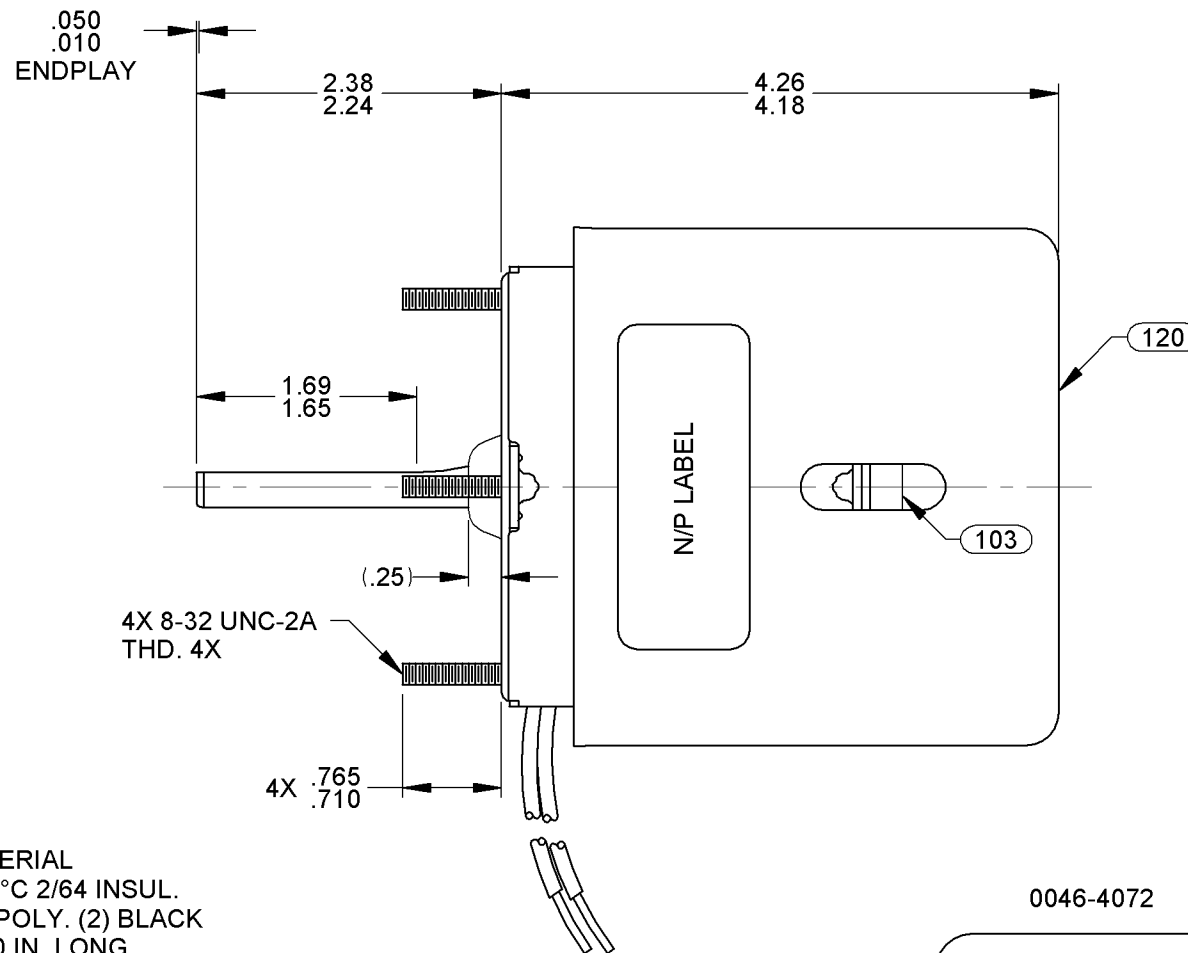
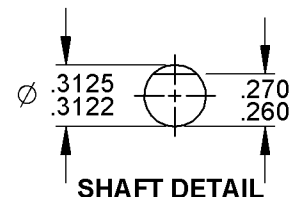


|    |   |              |    |   |              |    |                                 |              |   |
|----|---|--------------|----|---|--------------|----|---------------------------------|--------------|---|
| 20 | CHANGE NAMEPLATE LABEL TO SHOW MEXICO ONLY, CHANGE 6129-9841 LABEL PICTORIALLY. | SDM 11/14/06 | 21 | CHANGED N/P FORMAT, UPDATED CURRENT STDS. | PLA 11/12/07 | 22 | REMOVE BAR CODE FROM NAMEPLATE. | SDM 08/03/10 | STANDARD TOLERANCES:<br>ANGULAR +/- 1 DEGREE 2 PLACE DECIMAL +/- .01 3 PLACE DECIMAL +/- .005 |
|----|---|--------------|----|---|--------------|----|---------------------------------|--------------|---|



ROTATION



LEAD MATERIAL  
18 GA. 125°C 2/64 INSUL.  
X-LINKED POLY. (2) BLACK  
14.00/12.00 IN. LONG  
.56/.44 IN. STRIP

0046-4072

0046-4282



Fasco Industries, Inc.  
Motor Division



Assembled in Mexico  
No. 71631943 TYPE U63B1 T.P. TEAO LR6319  
115 V 60 Hz Class B  
1.7 A 1500 RPM 1/25 HP  
Model D135 Max Amb: 40°C

**SAFETY WARNING**



This Motor Must Be Grounded in Accordance With Local Or National Electrical Codes To Prevent Possible Injury Due To Electrical Shock

61299553

NOTES:  
1. NO PACKAGING TAPE OVER CARTON LABEL.

|                      |   |        |      |      |        |        |      |        |        |      |       |                   |                            |   |  |  |  |  |    |    |    |   |    |                         |                  |                     |                     |                       |                         |
|----------------------|---|--------|------|------|--------|--------|------|--------|--------|------|-------|-------------------|----------------------------|---|--|--|--|--|----|----|----|---|----|-------------------------|------------------|---------------------|---------------------|-----------------------|-------------------------|
| FRONT SHAFT POSITION | * TYPICAL PERFORMANCE AT 115 VOLTS 60 Hz. |        |      |      |        |        |      |        |        |      |       |                   | CUSTOMER: FASCO DIST.      | FASCO MOTORS GROUP<br>AC MOTOR/BLOWER DIVISION<br>CONFIDENTIAL: DO NOT DUPLICATE OR DISCLOSE TO THIRD PARTIES WITHOUT WRITTEN PERMISSION OF FASCO MOTORS GROUP, AC MOTOR/BLOWER DIVISION. |  |  |  |  |    |    |    |   |    |                         |                  |                     |                     |                       |                         |
| HORIZONTAL<br>       | MOTOR SPEED                               | IDLE   |      |      | LOADED |        |      | LOCKED |        |      | BREAK | PART NUMBER: D135 | APPLICATION: COUNTER SALES |   |  |  |  |  |    |    |    |   |    | MOTOR WEIGHT: 4.07 LBS. | ENVIRONMENT: DRY | FINISH COLOR: BLACK | DRAWN BY: S. DALTON | DATE DRAWN: 10-3-2001 | MOTOR TYPE: SHADED POLE |
| CUSTOMER APPROVAL:   |   | R.P.M. | AMP. | WATT | IN.OZ. | R.P.M. | AMP. | WATT   | IN.OZ. | AMP. | WATT  | IN.OZ.            |                            |   |  |  |  |  | B  | LA | FR | A | S  | C                       | E                | B                   | A                   | REV.                  |                         |
| SIGNED:              |   | 1750   | 1.36 | 76   | 30.0   | 1550   | 1.58 | 116    | 10.5   | 2.26 | 166   | 36.0              |                            |   |  |  |  |  | 00 | 63 | 28 | T | 05 | OJ                      | 5                | 3                   | 0                   | 22                    |                         |
| DATE:                |   |        |      |      |        |        |      |        |        |      |       |                   |                            |   |  |  |  |  |    |    |    |   |    |                         |                  |                     |                     |                       |                         |

If Printed, this is an Uncontrolled Document.