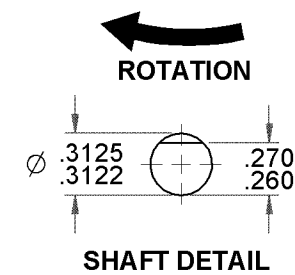
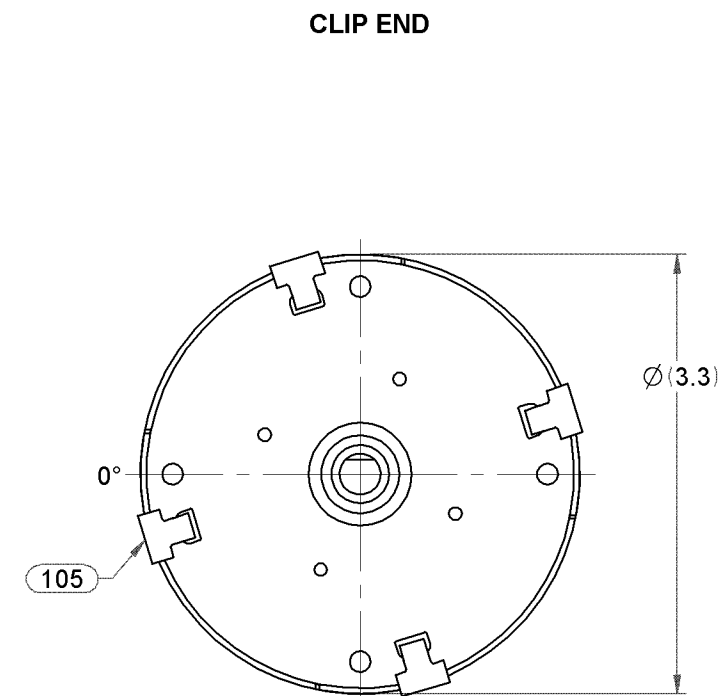
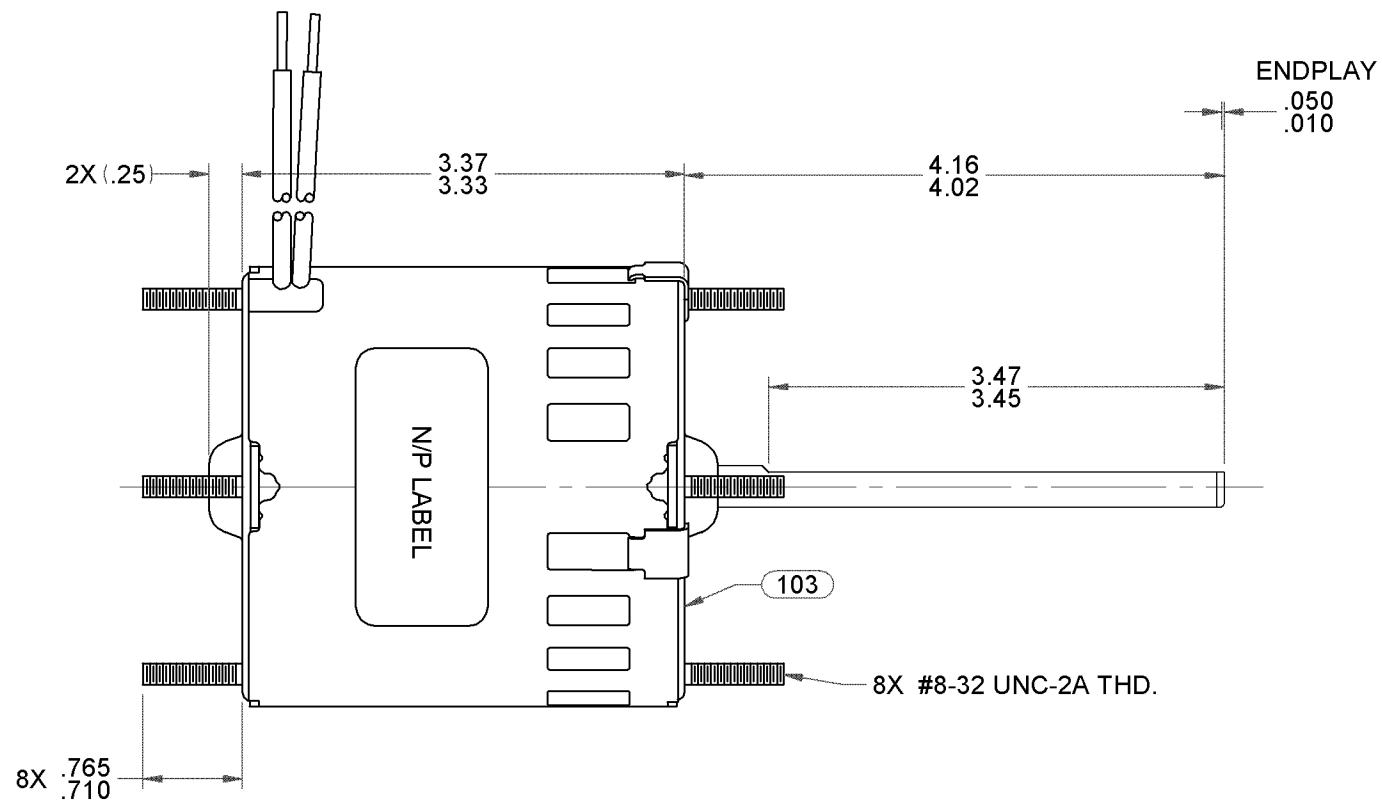
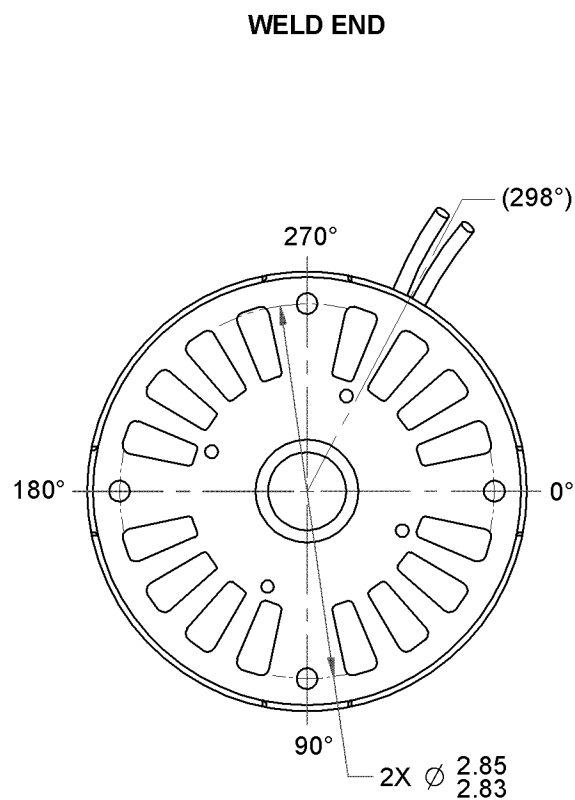


35	REVISED TO NEW N/P FORMAT	11/30/2007	36	REMOVED BARCODE & UPDATED NAMEPLATE	KSA 11/03/09	37	ADDED CARTON LABEL NOTES	4002741 MLM 7/26/11	STANDARD TOLERANCES: ANGULAR +/- 1 DEGREE 2 PLACE DECIMAL +/- .01 3 PLACE DECIMAL +/- .005
----	---------------------------	------------	----	-------------------------------------	--------------	----	--------------------------	------------------------	---



LEAD MATERIAL  
18 GA. 125° C 2/64 INS.  
X-LINK POLY., BLACK  
14.00/12.00 IN. LONG  
.56/.44 IN. STRIP

NOTES:  
PACK 162 MOTORS MAX. PER PALLET  
SHAFT MATERIAL IS A.I.S.I. 416 STAINLESS STEEL  
NO PACKAGING TAPE OVER CARTON LABEL.

0046-4072
0046-4282

Fasco Industries, Inc.  
Motor Division

Assembled In Mexico

No. 71631515 TYPE U63B1 T.P. AO

115 V 60 Hz Class B

1.0 A 1550 RPM 1/40 HP

Model D130 Max Amb: 40°C

LR6319

**SAFETY WARNING**

This Motor Must Be Grounded in Accordance With Local Or National Electrical Codes To Prevent Possible Injury Due To Electrical Shock

61299553

FRONT SHAFT POSITION	<b>* TYPICAL PERFORMANCE AT 115 VOLTS 60 Hz.</b>											CUSTOMER: FASCO DIST.	<b>FASCO FASCO MOTORS GROUP AC MOTOR/BLOWER DIVISION</b>											
HORIZONTAL  UP DOWN	MOTOR SPEED	IDLE			LOADED			LOCKED			BREAK	PART NUMBER: D130	CONFIDENTIAL: DO NOT DUPLICATE OR DISCLOSE TO THIRD PARTIES WITHOUT WRITTEN PERMISSION OF FASCO MOTORS GROUP, AC MOTOR/BLOWER DIVISION.											
		R.P.M.	AMP.	WATT	IN.OZ.	R.P.M.	AMP.	WATT	IN.OZ.	AMP.	WATT	IN.OZ.						APPLICATION: COUNTER SALES						
		1750	.95	55	18.2	1550	1.06	77	7.5	1.54	113	20.0	MOTOR WEIGHT: 2.75 LBS.	MOTOR TYPE			DRAWING NUMBER							
CUSTOMER APPROVAL:													ENVIRONMENT: DRY	SHADED POLE			7163 1515							
SIGNED:													FINISH COLOR: BLACK	B	LA	FR	A	S	C	E	B	A	REV.	
DATE:													DRAWN BY: S. DALTON	00	63	30	F	03	KE	5	3	0	37	
													DATE DRAWN: 9-5-2001											