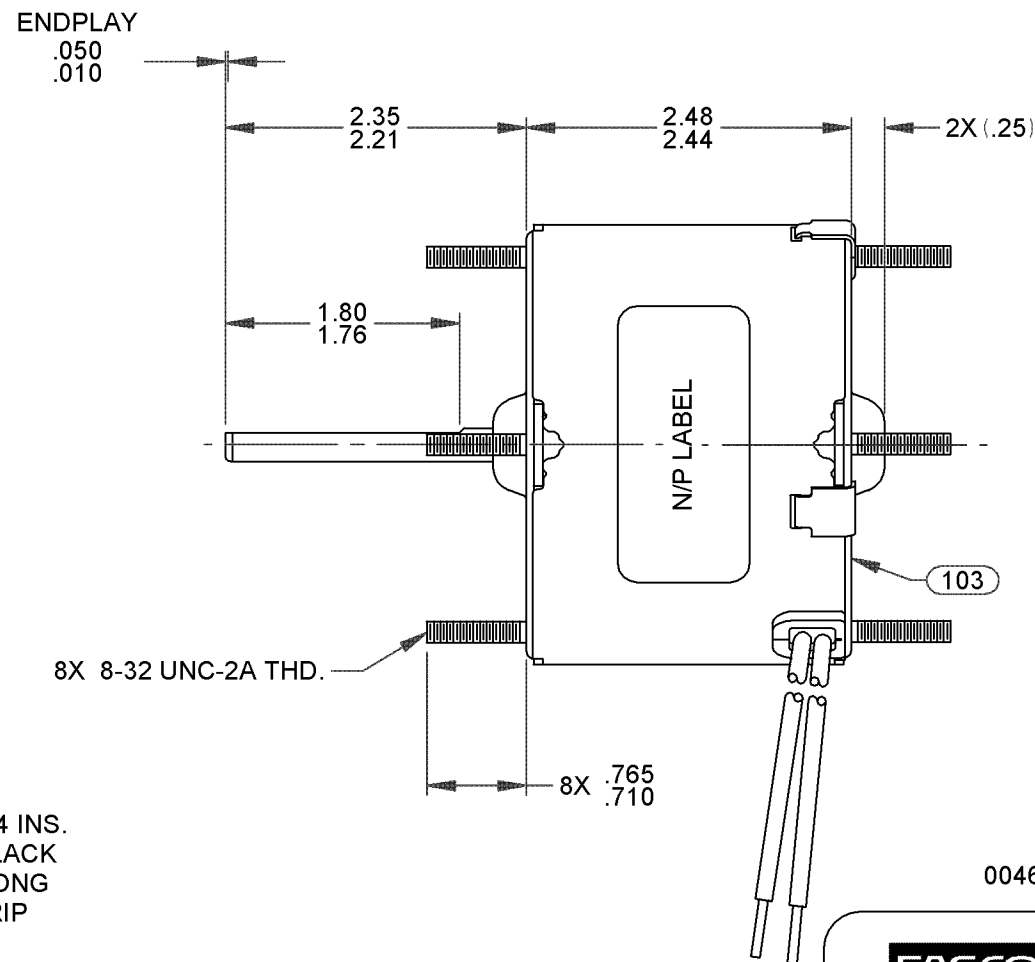
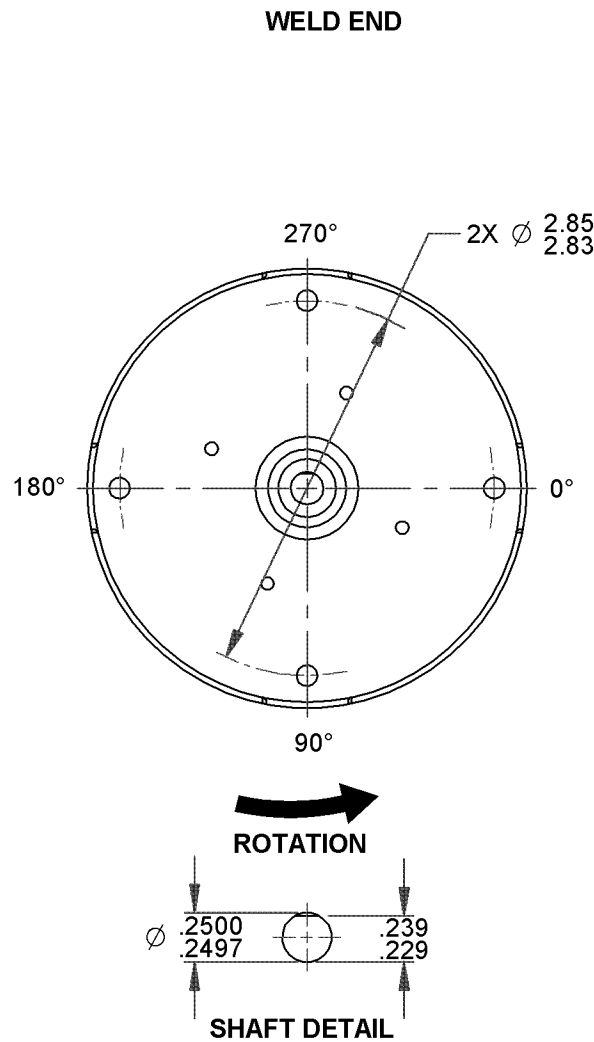
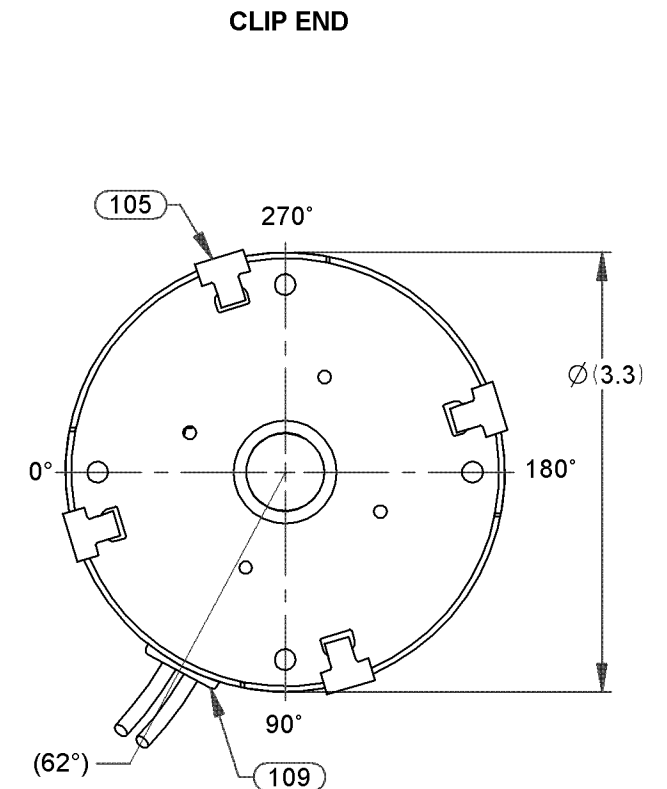


43	REMOVE BARCODE AND UPDATE NAMEPLATE KSA 11-04-09	44	REVISED PACKING AND ADDED CARTON LABEL NOTES	4003581 MLM 10/28/11	45	CHANGE REVISION TO MATCH ORACLE.	0055524 SDM 7/15/14	STANDARD TOLERANCES: ANGULAR +/- 1 DEGREE 2 PLACE DECIMAL +/- .01 3 PLACE DECIMAL +/- .005		
----	---	----	--	-------------------------	----	----------------------------------	------------------------	---	--	--



LEAD MATERIAL
18 GA. 125°C 2/64 INS.
X-LINK POLY., BLACK
14.00/12.00 IN. LONG
W/.68/.56 IN. STRIP



NOTES:
PACK 270 MOTORS MAX. PER PALLET
NO PACKAGING TAPE OVER CARTON LABEL.

00464072

00464282

FASCO	Fasco Industries, Inc. Motor Division		SAFETY WARNING
Assembled In Mexico	TYPE U63B1 T.P. TEAO LR6319	<p>This Motor Must Be Grounded in Accordance With Local Or National Electrical Codes To Prevent Possible Injury Due To Electrical Shock</p>	
No. 71633072	60 Hz Class B		
115 V	1500 RPM		
0.8 A	1/50 HP		
Model D125	Max Amb: 40°C		

61299553

FRONT SHAFT POSITION	* TYPICAL PERFORMANCE AT 115 VOLTS 60 Hz.											CUSTOMER: FASCO DIST.	FASCO FASCO MOTORS GROUP AC MOTOR/BLOWER DIVISION
HORIZONTAL 	MOTOR SPEED	IDLE			LOADED			LOCKED			BREAK	PART NUMBER: D125	
		R.P.M.	AMP.	WATT	IN.OZ.	R.P.M.	AMP.	WATT	IN.OZ.	AMP.	WATT	IN.OZ.	APPLICATION: COUNTER SALES
		1755	.67	38	13.8	1550	.74	51	6.0	1.08	78	16.0	MOTOR WEIGHT: 2.66 LBS.
CUSTOMER APPROVAL:													ENVIRONMENT: DRY
SIGNED:													FINISH COLOR: BLACK
DATE:													DRAWN BY: TAMMY JONES
													DATE DRAWN: JANUARY 24, 2002
													MOTOR TYPE
													SHADED POLE
													DRAWING NUMBER
													7163 3072
													REV. 45
													B LA FR A S C E B A
													00 63 30 T 03 OR 5 1 0

If Printed, this is an Uncontrolled Document.