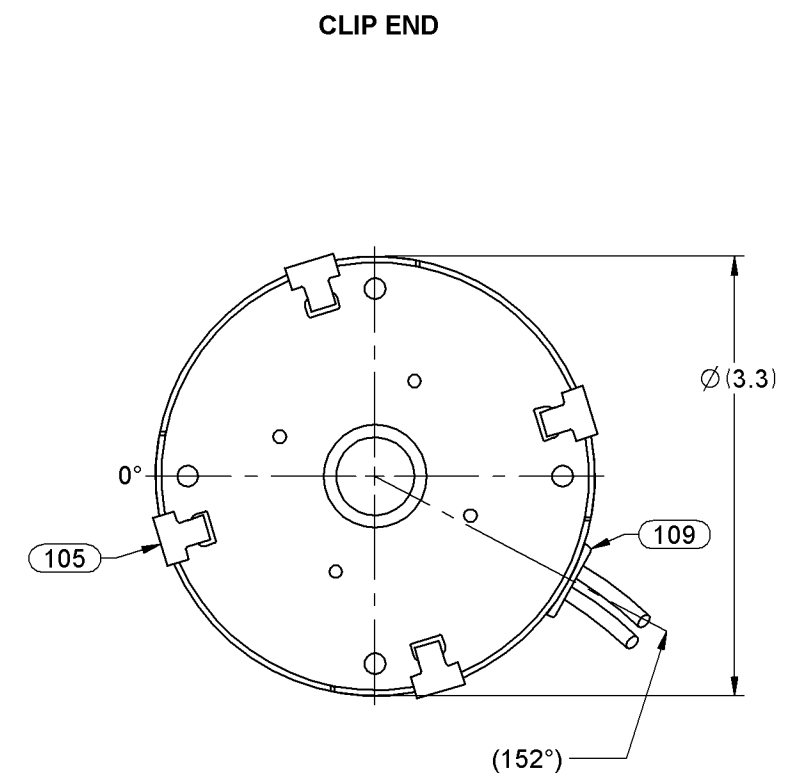
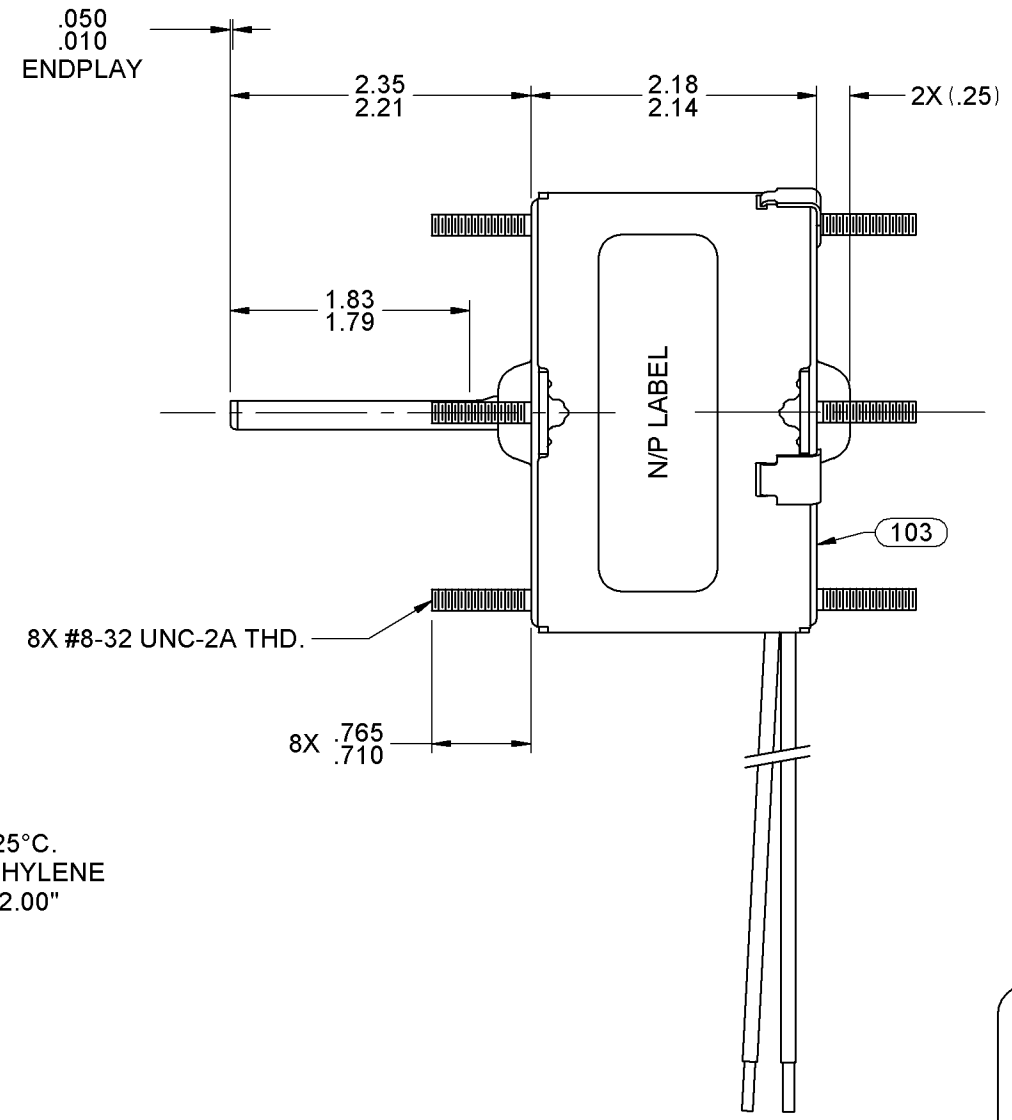
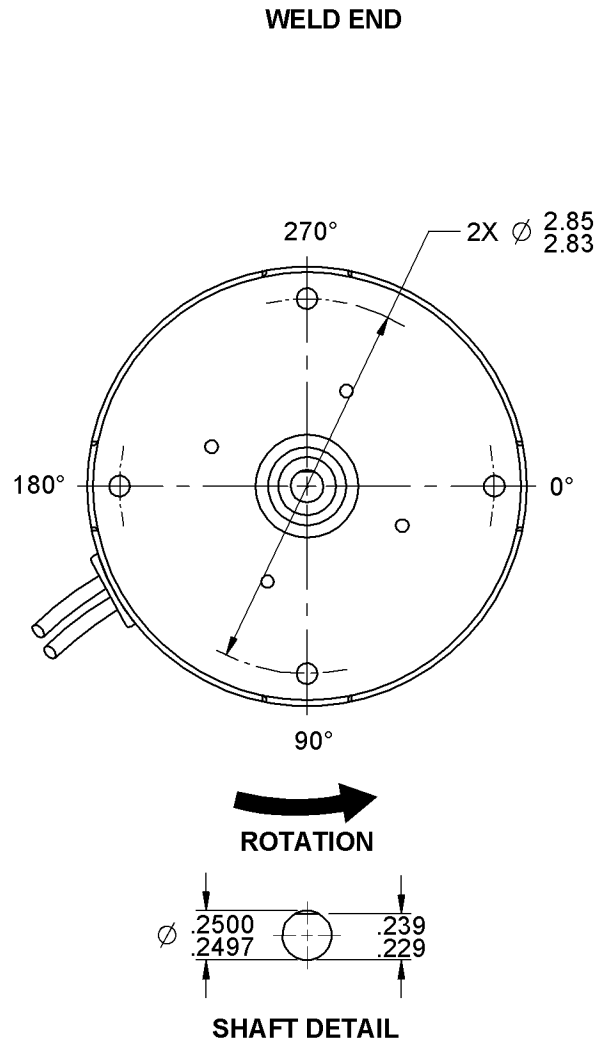


36	REVISED NAMEPLATE LABEL	SD 2-4-08	37	REMOVE BARCODE & UPDATE NAMEPLATE	KSA 11-03-09	38	REVISED PACKING AND ADDED CARTON LABEL	4003540 MLM 10/25/11	STANDARD TOLERANCES: ANGULAR +/- 1 DEGREE 2 PLACE DECIMAL +/- .01 3 PLACE DECIMAL +/- .005
----	-------------------------	-----------	----	-----------------------------------	--------------	----	--	-------------------------	---



LEAD MATERIAL  
18 GA. 2/64 INS. 125°C.  
X-LINKED POLYETHYLENE  
(2) BLACK, 14.00/12.00"  
W/STRIP .68/.56"

0046-4072 0046-4282

**FASCO** Fasco Industries, Inc.  
Motor Division

Assembled in Mexico

No. 71631962 TYPE U63B1 T.P. TEAO

115 V 60 Hz Class B

0.6 A 1500 RPM 1/80 HP

Model D123 Max. Amb: 40°C

LR6319

**SAFETY WARNING**

This Motor Must Be Grounded in Accordance With Local Or National Electrical Codes To Prevent Possible Injury Due To Electrical Shock

61299553

NOTES:  
PACK 270 MOTORS MAX. PER PALLET  
NO PACKAGING TAPE OVER CARTON LABEL.

FRONT SHAFT POSITION	TYPICAL PERFORMANCE AT 115 VOLTS 60 Hz.											CUSTOMER: FASCO DIST.	PART NUMBER: D123	FASCO MOTORS GROUP AC MOTOR/BLOWER DIVISION																												
	MOTOR SPEED	IDLE			LOADED			LOCKED			BREAK			APPLICATION: COUNTER SALES					MOTOR TYPE					DRAWING NUMBER																		
		R.P.M.	AMP.	WATT	IN.OZ.	R.P.M.	AMP.	WATT	IN.OZ.	AMP.	WATT	IN.OZ.		ENVIRONMENT: DRY					FINISH COLOR: BLACK					DRAWN BY: S. DALTON					DATE DRAWN: 3-1-2001													
HORIZONTAL UP DOWN		1747	.50	32	8.5	1580	.54	42	5.2	.76	62	11.9		MOTOR WEIGHT: 2.19 LBS.					ENVIRONMENT: DRY					FINISH COLOR: BLACK					DRAWN BY: S. DALTON					DATE DRAWN: 3-1-2001								
	CUSTOMER APPROVAL: SIGNED: DATE:													ENVIRONMENT: DRY					FINISH COLOR: BLACK					DRAWN BY: S. DALTON					DATE DRAWN: 3-1-2001													
													<p><b>FASCO</b> FASCO MOTORS GROUP AC MOTOR/BLOWER DIVISION</p> <p>CONFIDENTIAL: DO NOT DUPLICATE OR DISCLOSE TO THIRD PARTIES WITHOUT WRITTEN PERMISSION OF FASCO MOTORS GROUP, AC MOTOR/BLOWER DIVISION.</p> <p>MOTOR TYPE: SHADED POLE DRAWING NUMBER: 7163 1962</p> <table border="1"> <tr> <td>B</td><td>LA</td><td>FR</td><td>A</td><td>S</td><td>C</td><td>E</td><td>B</td><td>A</td><td>REV.</td> </tr> <tr> <td>00</td><td>63</td><td>30</td><td>T</td><td>01</td><td>HD</td><td>5</td><td>1</td><td>0</td><td>38</td> </tr> </table>										B	LA	FR	A	S	C	E	B	A	REV.	00	63	30	T	01	HD	5	1	0	38
B	LA	FR	A	S	C	E	B	A	REV.																																	
00	63	30	T	01	HD	5	1	0	38																																	

If Printed, this is an Uncontrolled Document.