

61305568

SAFETY WARNING
This motor must be grounded in accordance with local or national electrical codes to prevent possible injury due to electrical shock

AVERTISSEMENT DE SÉCURITÉ
Ce moteur doit être fondée sur conformément à la réglementation locale ou national électrique codes pour prévenir d'éventuelles blessures en raison de choc électrique

- NOTES:
1. MOTOR HAS 416 SS SHAFT.
2. NO PACKAGING TAPE OVER CARTON LABEL.

00464071

FASCO Fasco Industries, Inc. Motor Division

Assembled In Mexico

No. 712110829 TYPE U21B T.P. AO

115 V 60 Hz Class B

1.5 A 3200 RPM 1/30 HP

Model D1198 Max. Amb: 40°C

LR36496

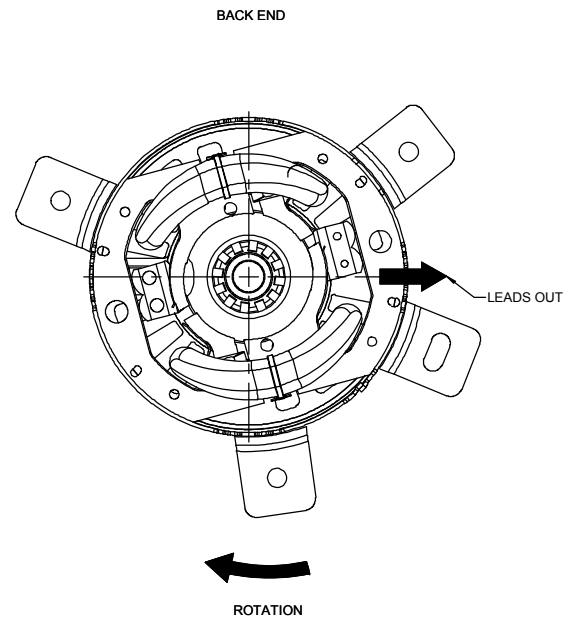
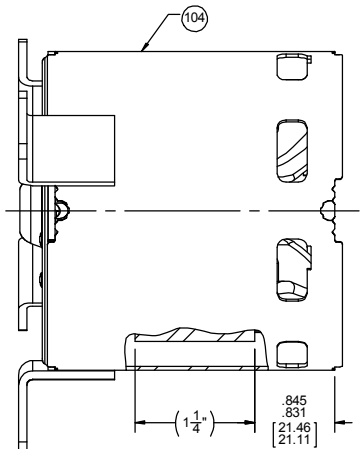
61299553

CUSTOMER:	FASCO DIST.	APPLICATION:	GAS FURNACE								
CUSTOMER PN:	D1198	MOTOR WEIGHT:	3 LBS.								
UP		ENVIRONMENT:	DAMP								
HORIZONTAL	MOTOR TYPE				REFERENCE SAMPLE						
	B	LA	FR	A	S	C	E	B	A		
DOWN	00	21	33	V	05	0A	5	3	0		
TYPICAL PERFORMANCE AT 115 VOLTS 60 HZ											
IDLE			LOADED			LOCKED			BREAK		
MOTOR SPEED	RPM	AMP	WATT	IN OZ	RPM	AMP	WATT	IN OZ	AMP	WATT	IN OZ
3471	1.2	73	9.3	3200	1.3	98	6.17	1.9	142	13.8	

DRAWING REVISION	REVISION BY	REV DATE/DATE	TOLERANCES (EXCEPT AS NOTED)	DRAWN BY	DATE	REGAL Regal Beloit America, Inc.
AB	BWB	3/21/2019	DEC .XX ±0.1 [5.3]	MLS	10/4/2018	
ECO-0163793	APPROVED BY	DATE	.XXX ±0.005 [0.13]	APPROVED BY	DATE	DESCRIPTION OUTLINE MOTOR ASSY
ECO DESCRIPTION	SDM	3/21/2019	.XXX ±0.005 [0.13]	FDP	10/4/2018	
ADD LEAD EXIT TO OTIS PRINT			REMOVE BURRS & BREAK SHARP EDGES: .003/.015 [08/38] X 45°	REFERENCE		MATERIAL
COPYRIGHT (PER REVISION DATE) REGAL BELOIT AMERICA, INC. ALL RIGHTS RESERVED. PROPRIETARY AND CONFIDENTIAL INFORMATION. THIS DOCUMENT IS THE PROPERTY OF REGAL BELOIT AMERICA, INC. FORMERLY AND CONTAINING OWNERS PROPRIETARY INFORMATION. ANY PERSON, CORPORATION OR OTHER FIRM RECEIVING IT IS DEEMED BY RECEIVING IT, TO AGREE THAT IT, AND/OR ANY PART OF IT, SHALL NOT BE DISCLOSED TO ANY PERSON, CORPORATION OR OTHER ENTITY. DUPLICATED, AND/OR USED, EXCEPT AS EXPRESSLY APPROVED IN WRITING IN ADVANCE BY OWNER. THIS DOCUMENT SHALL BE RETURNED TO OWNER UPON REQUEST. IT MAY BE SUBJECT TO CERTAIN RESTRICTIONS UNDER APPLICABLE EXPORT CONTROL LAWS AND REGULATIONS.			CORNER FILLETS: R.02 [5]	THIRD ANGLE PROJECTION	SIZE	PROCESS/FINISH
			MACHINED SURFACES: 125 / 3/2 INCR / MIN	DATE	DRAWING NUMBER	BLACK
			mm DIMENSIONS IN [BRACKETS] ARE FOR REFERENCE ONLY	10/4/2018	712110829	SHEET 1 OF 2

NOTES:

1. ALL SPACING THRU AIR BETWEEN WIRE AND METAL MUST BE AT LEAST: .063 [1.60].
2. ASSEMBLE TERMINAL HOUSING AFTER STATOR PRESS.



PACKING SPECIFICATIONS

1. PACK 1 PER CONTAINER, 20 CONTAINERS PER LAYER, 4 LAYERS PER PALLET, 80 MAX. PER PALLET, PACKING ASSY. 87854367, PER 88834200 AND 88834408.
2. CARTON LABELS MUST ALL FACE ONE DIRECTION TOWARD THE OPEN END OF THE PALLET. SEE 88834408.

DRAWING REVISION AB		REVISION BY BWB	REV DATE/DATE 3/21/2019	TOLERANCES (EXCEPT AS NOTED):			DRAWN BY MLS	Regal Beloit America, Inc.
ECO-0163793		APPROVED BY SDM	DATE 3/21/2019	DEC	INCH	mm	ANGLE	
ADD LEAD EXIT TO OTIS PRINT				.XX	±0.1	[.3]	±1°	DATE 10/4/2018
REMOVE BURRS & BREAK SHARP EDGES: .003/.015 [.08/.38] X 45°				.XXX	±0.01	[±0.13]		APPROVED BY FDP
CORNER FILLETS: R.02 [.5]				.XXX	±0.005	[±0.13]		DATE 10/4/2018
MACHINED SURFACES: 125/ 3.2				.XXX	±0.005	[±0.13]		REFERENCE
<small>COPYRIGHT (PER REVISION DATE) REGAL BELOIT AMERICA, INC. ALL RIGHTS RESERVED. PROPRIETARY AND CONFIDENTIAL INFORMATION. THIS DOCUMENT IS THE PROPERTY OF REGAL BELOIT AMERICA, INC. FORMERLY AND CONTAINS OWNERS PROPRIETARY INFORMATION. ANY PERSON, CORPORATION OR OTHER FIRM RECEIVING IT IS DEEMED BY RECEIVING IT, TO AGREE THAT IT, AND/OR ANY PART OF IT, SHALL NOT BE DISCLOSED TO ANY PERSON, CORPORATION OR OTHER ENTITY, DUPLICATED, AND/OR USED, EXCEPT AS EXPRESSLY APPROVED IN WRITING IN ADVANCE BY OWNER. THIS DOCUMENT SHALL BE RETURNED TO OWNER UPON REQUEST. IT MAY BE SUBJECT TO CERTAIN RESTRICTIONS UNDER APPLICABLE EXPORT CONTROL LAWS AND REGULATIONS.</small>				THIRD ANGLE PROJECTION		SIZE	DRAWING NUMBER	PROCESS/FINISH BLACK
				mm DIMENSIONS IN [BRACKETS] ARE FOR REFERENCE ONLY		C	712110829	SHEET 2 OF 2