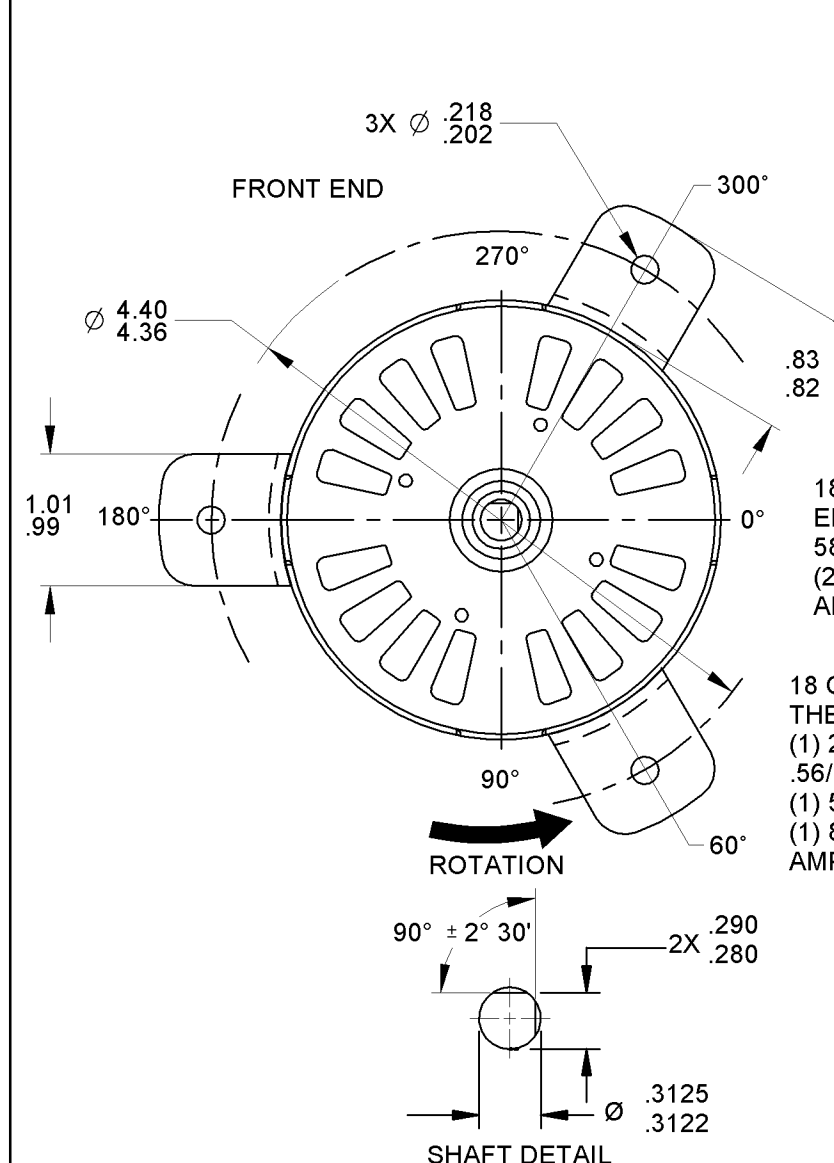


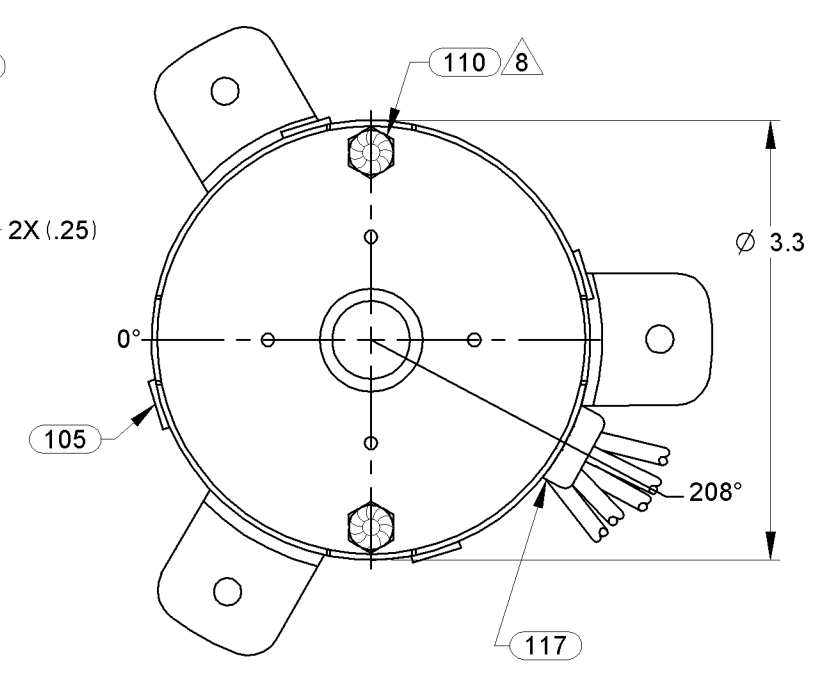
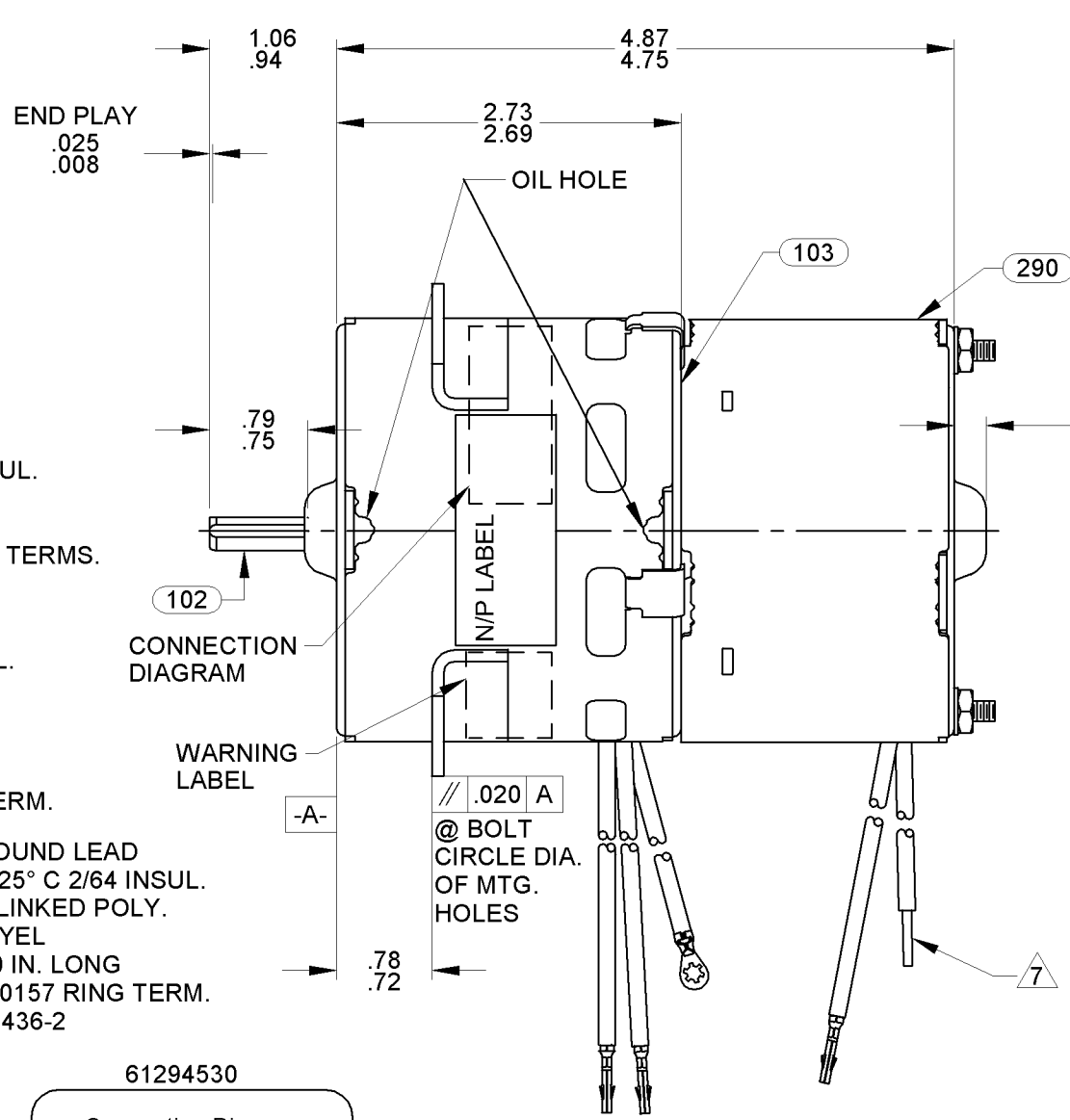
09	REMOVED BARCODE FOR N/P.	JMM 11-09-09	10	ADDED CARTON LABEL NOTES	4002209 MLM 6/1/11	11	UPDATE CONN. DIAGRAM LABEL TO MATCH LABEL PRINT	4009178 MLM 5/10/13	STANDARD TOLERANCES: ANGULAR +/- 1 DEGREE 2 PLACE DECIMAL +/- .01 3 PLACE DECIMAL +/- .005
----	--------------------------	--------------	----	--------------------------	-----------------------	----	---	------------------------	---



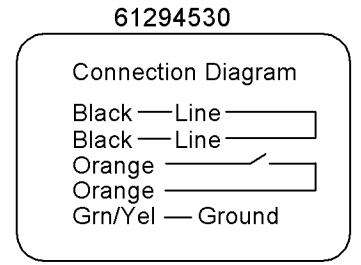
LEAD MATERIAL
18 GA. 125° C 4/64 INSUL.
EPDM, (2) BLACK
58.00/56.00 IN. LONG
(2) 89036006 SOCKET TERMS.
AMP 350537-1

SWITCH LEADS
18 GA. 105° C 3/64 INSUL.
THERMO. (2) ORANGE
(1) 20.00/18.00 IN. LONG
.56/.44 IN. STRIP
(1) 58.00/56.00 LONG
(1) 89036006 SOCKET TERM.
AMP 350537-1

GROUND LEAD
18 GA. 125° C 2/64 INSUL.
CROSS-LINKED POLY.
(1) GRN/YEL
8.00/6.00 IN. LONG
(1) 89020157 RING TERM.
AMP 350436-2



- NOTES:
- MOTOR HAS 416 SS SHAFT.
 - NO PACKAGING TAPE OVER CARTON LABEL.



SAFETY WARNING
This Motor Must Be Grounded In Accordance With Local Or National Electrical Codes To Prevent Possible Injury Due To Electrical Shock

00464071

FASCO Fasco Industries, Inc Motor Division

Assembled In Mexico
No. 71218937 TYPE U21B T.P. AO
208-230 V 60 Hz Class B
.55 A 3000 RPM
Model D1167
Switch 125VA-120V SW280-1

1/40 HP
Max Amb: 40°C
LR36496

ALL LABELS TO BE READ FROM BACK END

FRONT SHAFT POSITION HORIZONTAL UP DOWN	TYPICAL PERFORMANCE AT 230 VOLTS 60 Hz												CUSTOMER: FASCO DIST	FASCO FASCO MOTORS GROUP AC MOTOR/BLOWER DIVISION
	MOTOR SPEED	IDLE			LOADED			LOCKED			BREAK	PART NUMBER: D1167		
	R.P.M.	AMP.	WATT	IN.OZ.	R.P.M.	AMP.	WATT	IN.OZ.	AMP.	WATT	IN.OZ.	APPLICATION: BLOWER	CONFIDENTIAL: DO NOT DUPLICATE OR DISCLOSE TO THIRD PARTIES WITHOUT WRITTEN PERMISSION OF FASCO MOTORS GROUP, AC MOTOR/BLOWER DIVISION.	
	3400	.51	75	9.5	3000	.61	100	3.8	.82	130	10.6	MOTOR WEIGHT: 3.0 LBS.		
CUSTOMER APPROVAL:													ENVIRONMENT: DRY	MOTOR TYPE: SHADED POLE DRAWING NUMBER: 7121 8937
SIGNED:													FINISH COLOR: FLAT BLACK	
DATE:													DRAWN BY: B. POPPLEWELL	REV. 11
													DATE DRAWN: 09/12/2005	

If Printed, this is an Uncontrolled Document.