

LEAD MATERIAL
18 GA. 125°C 2/64 INSUL.
X-LINKED POLY., WHITE, BLACK,
BLUE, RED, YELLOW
14.00/12.00 [355.60/304.80] IN. [mm] LONG
.56/.44 [14.22/11.18] IN. [mm] STRIP

61305568

SAFETY WARNING
This motor must be grounded in accordance with local or national electrical codes to prevent possible injury due to electrical shock

AVERTISSEMENT DE SECURITE
Ce moteur doit être fondée sur conformément à la réglementation locale ou national électrique codes pour prévenir d'éventuelles blessures en raison de choc électrique

- NOTES:
- PACK 210 MOTORS PER PALLET.
 - NO PACKAGING TAPE OVER CARTON LABEL.

00464072 00469147

FASCO Fasco Industries, Inc. Motor Division

Assembled in Mexico
No. 71636478 TYPE U63B1 T.P. TEAO

115/230 V 60 Hz Class B

1.3/0.7 A 1550 RPM 1/25 HP

Model D1164 Max Amb: 40°C

LR6319

Connection Diagram
115 V~ 230 V~
Blk — Line Blk — Line
Blu — Line Blu — Line
Wht — Line Wht — Line
Red — Line Red — Line
Yel — Ins Yel — Ins

CUSTOMER: FASCO DIST.		APPLICATION:									
CUSTOMER PN: D1164		MOTOR WEIGHT: 3.81 LBS.									
UP		ENVIRONMENT: DRY									
HORIZONTAL		MOTOR TYPE			REFERENCE SAMPLE						
		SHADED POLE									
DOWN		B	LA	FR	A	S	C	E	B	A	
		00	63	30	T	06	GE	5	3	0	
TYPICAL PERFORMANCE AT 115/230 VOLTS 60 HZ											
		IDLE			LOADED			LOCKED			BREAK
MOTOR SPEED	RPM	AMP	WATT	IN OZ	RPM	AMP	WATT	IN OZ	AMP	WATT	IN OZ
115V	1770	1.16	64	32.2	1550	1.42	102	10.0	2.09	138	27.1
230V	1773	.57	63	32.3	1550	.71	102	9.5	1.05	139	30.0

DRAWING REVISION AG	REVISION BY PLA	DATE 6/3/2015	TOLERANCES UNLESS OTHERWISE SPECIFIED: DEC. INCH mm ANGLE .X ±0.1 [±2.5] ±0.5° .XX ±0.01 [±0.25] .XXX ±0.005 [±0.127] .XXXX ±0.0005 [±0.0127]	DRAWN BY PLA	Regal Beloit America, Inc.
ECO-0078137	APPROVED BY KSA	DATE 6/3/2015	DATE 6/3/2015	DATE 6/3/2015	
ECO DESCRIPTION REDRAWN ON SW - ADDED GROUND LABEL			DESCRIPTION MOTOR ASSY	DATE 6/3/2015	
MATERIAL			PROCESS/FINISH BLACK	DATE 6/3/2015	
THIRD ANGLE PROJECTION			SIZE C	DRAWING NUMBER 71636478	SHEET 1 OF 2

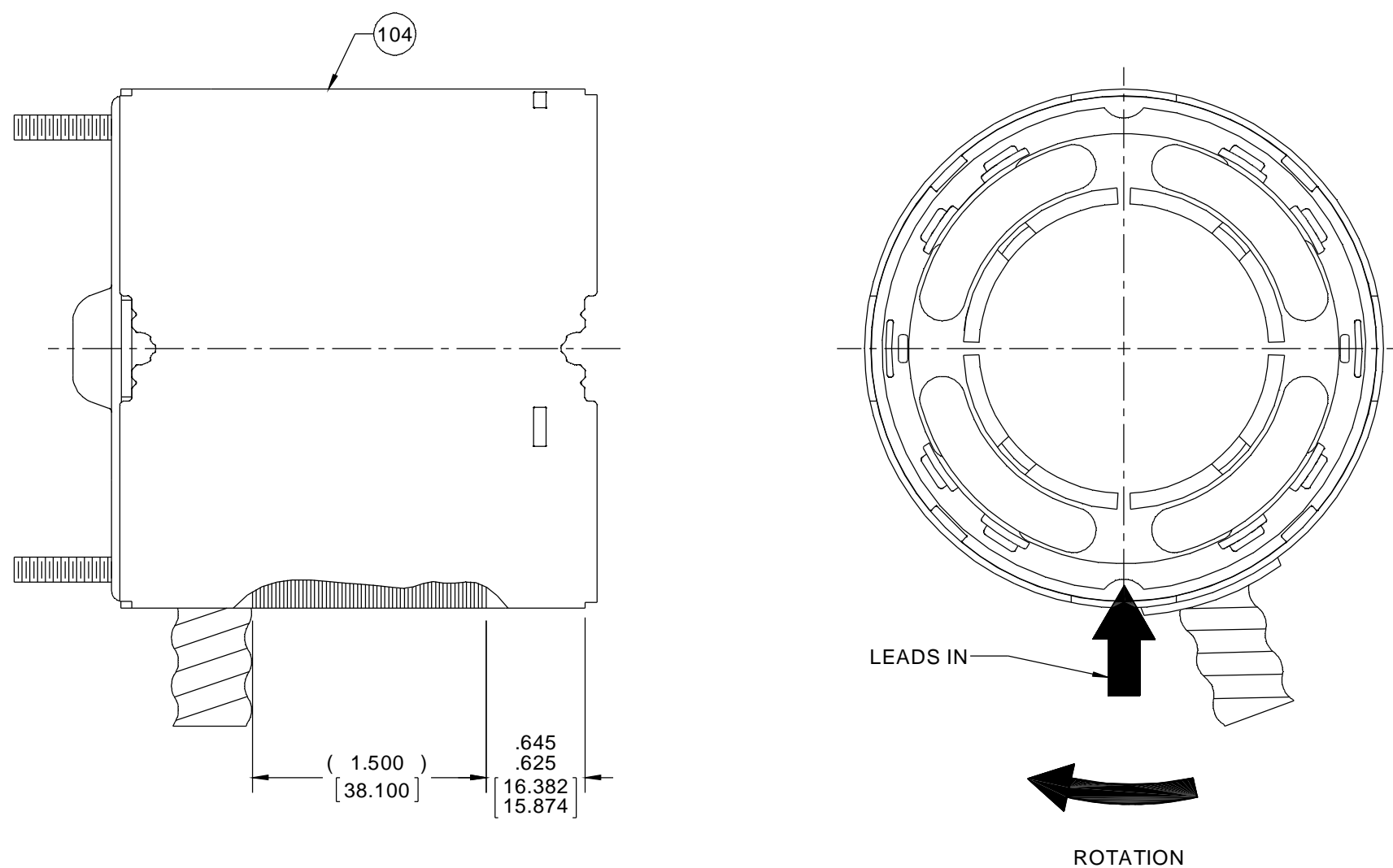
ORACLE PART REV. 026

NOTES:

1. STAKE STATOR TO SLEEVE PER P.S. 88830264.
2. MAXIMUM TORQUE REQUIRED TO TURN MOTOR SHAFT IS 3/8 INCH-OUNCE.
3. MAKE-UP WASHERS ARE TO BE ADDED OR DELETED TO ACHIEVE REQUIRED ENDPLAY.
4. SEE ROTOR/SHAFT DRAWING FOR WASHER SET UP.

WELD END

CLIP END



PACKING SPECIFICATIONS

1. PLACE ONE FOAM RING ON BACK END OF MOTOR, AND ONE FILLER TUBE OVER SHAFT EXTENSION. PACK MOTOR IN CARTON LEADS DOWN. STUFF PAPER AROUND MOTOR TO PREVENT MOVEMENT DURING SHIPMENT. CLOSE FLAPS AND TAPE. PLACE CARTON LABEL ON END OF CARTON THAT HAS SHAFT THAT HAS END OF MOTOR WHEN PACKED.
2. PACK 1 PER CARTON, 35 PER LAYER, 6 LAYERS PER PALLET, 210 MAX. PER PALLET PER P.S. 88834200.
3. CARTON LABELS MUST ALL FACE ONE DIRECTION TOWARD THE OPEN END OF THE PALLET, PER P.S. 88834408.

DRAWING REVISION AG	REVISION BY PLA	DATE 6/3/2015	TOLERANCES UNLESS OTHERWISE SPECIFIED: DEC. INCH mm ANGLE .X ±0.1 [±2.5] ±0.5° .XX ±0.01 [±0.25] .XXX ±0.005 [±0.127] .XXXX ±0.0005 [±0.0127]	DRAWN BY PLA	Regal Beloit America, Inc.
ECO-0078137	APPROVED BY KSA	DATE 6/3/2015	REMOVE BURRS & BREAK SHARP EDGES: .003/.015 [.076/.381] X 45° CORNER FILLETS: R.02 [.51] MACHINED SURFACES: 125/ mm 3.2/ INCH √ mm √ mm SHOWN IN [BRACKETS]	DATE 6/3/2015	
ECO DESCRIPTION REDRAWN ON SW - ADDED GROUND LABEL				APPROVED BY KSA	DESCRIPTION MOTOR ASSY
<small>COPYRIGHT REGAL BELOIT AMERICA, INC. ALL RIGHTS RESERVED. PROPRIETARY AND CONFIDENTIAL INFORMATION - THIS DOCUMENT IS THE PROPERTY OF REGAL BELOIT AMERICA, INC. ('OWNER') AND CONTAINS OWNER'S PROPRIETARY INFORMATION. ANY PERSON, CORPORATION OR OTHER FIRM RECEIVING IT IS DEEMED, BY RECEIVING IT, TO AGREE THAT IT, AND/OR ANY PART OF IT, SHALL NOT BE DISCLOSED TO ANY PERSON, CORPORATION OR OTHER ENTITY, DUPLICATED, AND/OR USED, EXCEPT AS EXPRESSLY APPROVED IN WRITING IN ADVANCE BY OWNER. THIS DOCUMENT SHALL BE RETURNED TO OWNER UPON REQUEST. IT MAY BE SUBJECT TO CERTAIN RESTRICTIONS UNDER APPLICABLE EXPORT CONTROL LAWS AND REGULATIONS.</small>				DATE 6/3/2015	MATERIAL
				REFERENCE	PROCESS/FINISH BLACK
				THIRD ANGLE PROJECTION	SIZE C
				DRAWING NUMBER 71636478	SHEET 2 OF 2