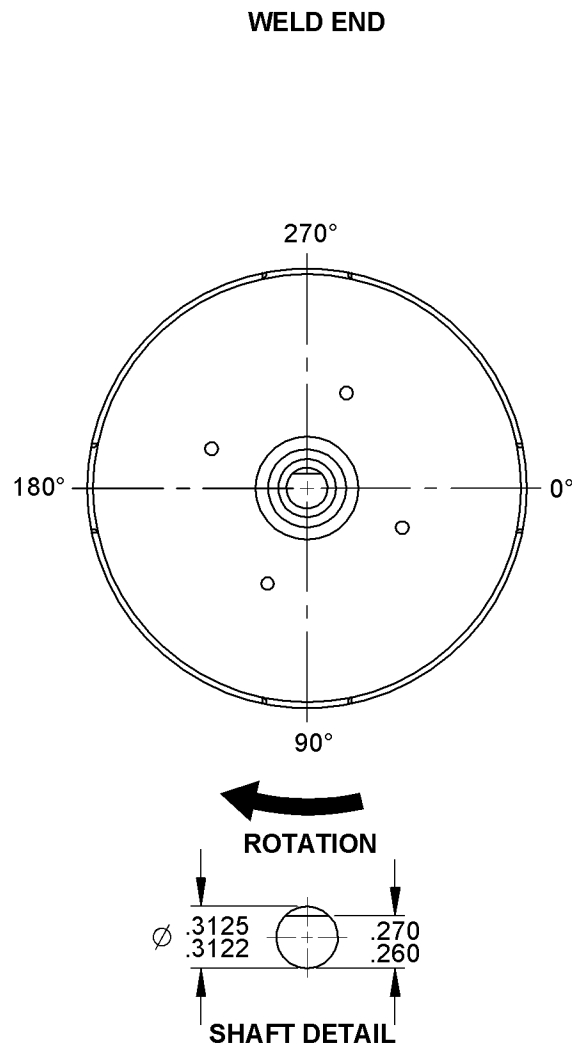
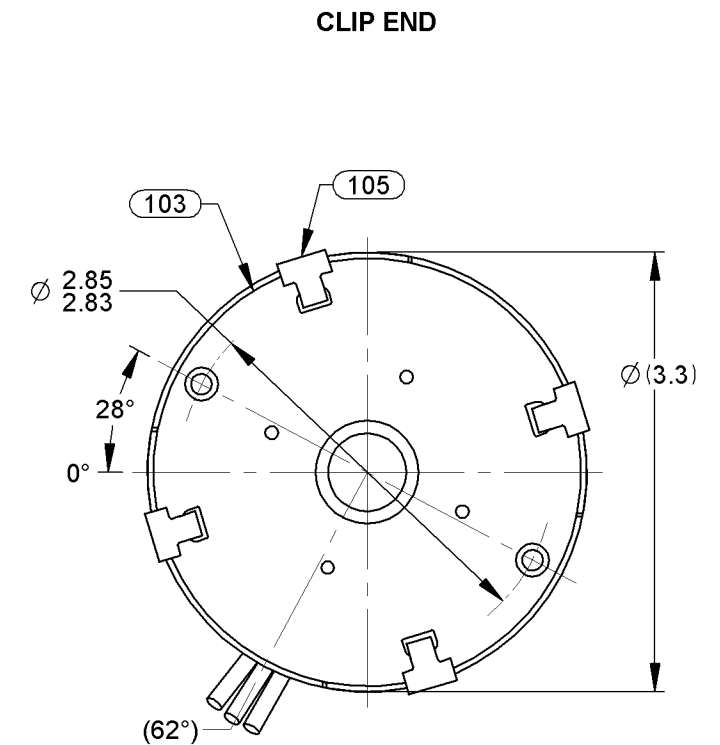
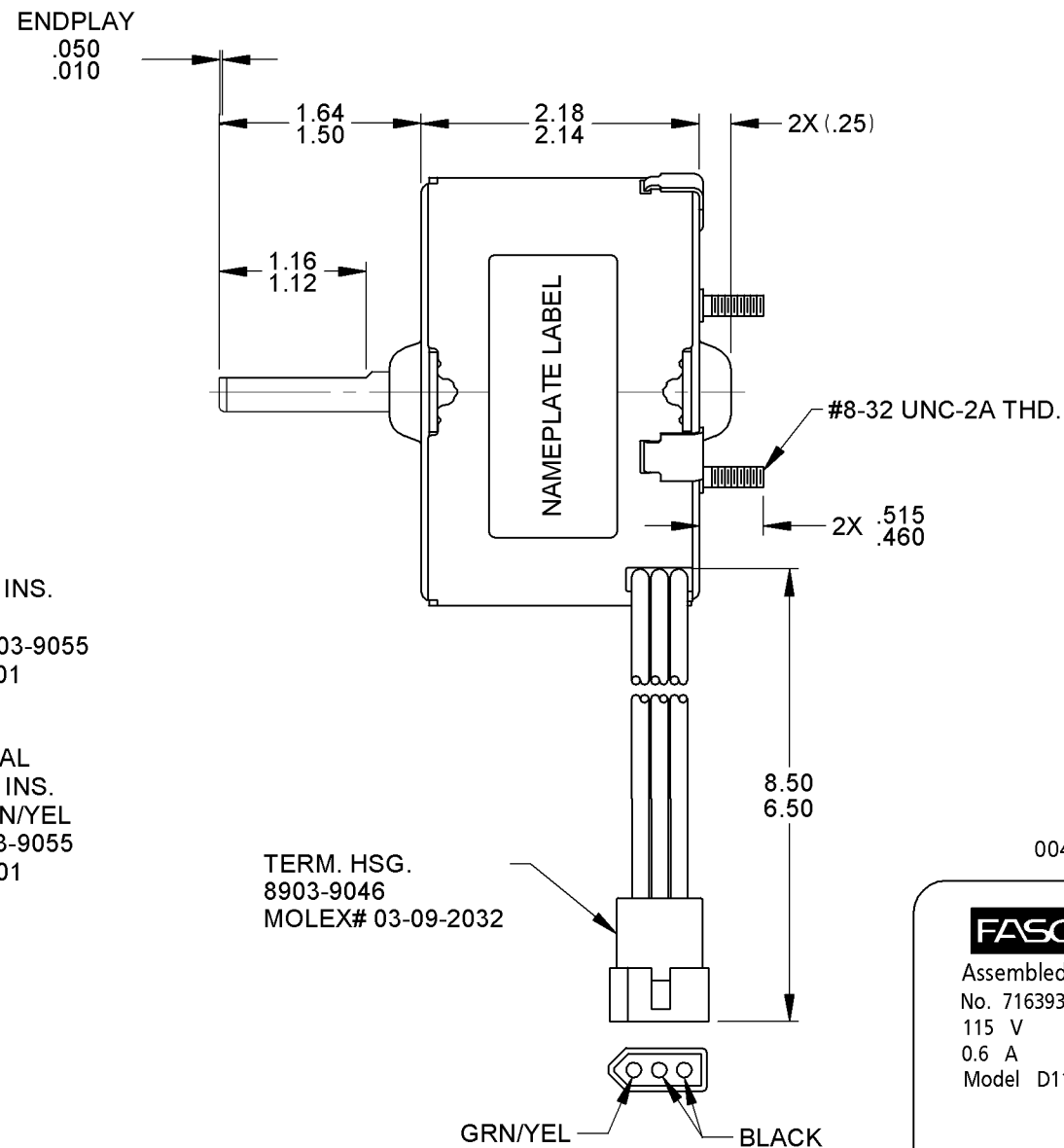


07	REVISED TO NEW N/P FORMAT	01/22/08	08	REMOVED BARCODE & ADDED LR6319 TO NAMEPLATE	PLA 11/03/09	09	REVISED PACKING AND ADDED CARTON LABEL NOTES	4004950 MLM 03/15/12	STANDARD TOLERANCES: ANGULAR +/- 1 DEGREE 2 PLACE DECIMAL +/- .01 3 PLACE DECIMAL +/- .005
----	---------------------------	----------	----	---	--------------	----	--	-------------------------	---



LEAD MATERIAL
18 GA. 125°C 3/64 INS.
EPDM, BLACK
W/PIN TERMS. 8903-9055
MOLEX# 02-09-2101

GROUND MATERIAL
18 GA. 125°C 2/64 INS.
X-LINK POLY., GRN/YEL
W/PIN TERM. 8903-9055
MOLEX# 02-09-2101



0046-4072

0046-4282



Fasco Industries, Inc.
Motor Division

Assembled In Mexico
No. 71639322 TYPE 63Z25B1 Z.P. TEAO
115 V 60 Hz Class B
0.6 A 1550 RPM 1/100 HP
Model D1160 Max Amb: 40°C

LR6319



SAFETY WARNING



This Motor Must Be Grounded in Accordance With Local Or National Electrical Codes To Prevent Possible Injury Due To Electrical Shock

61299553

NOTES:

270 MAX. MOTORS PER PALLET.
NO PACKAGING TAPE OVER CARTON LABEL.

FRONT SHAFT POSITION	TYPICAL PERFORMANCE AT 115 VOLTS 60 Hz.											CUSTOMER: FASCO DIST.	PART NUMBER: D1160	APPLICATION: BATH VENT	FASCO MOTORS GROUP AC MOTOR/BLOWER DIVISION									
	MOTOR SPEED	IDLE			LOADED			LOCKED			BREAK				MOTOR TYPE					DRAWING NUMBER				
		R.P.M.	AMP.	WATT	IN.OZ.	R.P.M.	AMP.	WATT	IN.OZ.	AMP.	WATT	IN.OZ.		SHADED POLE					7163 9322					
HORIZONTAL		1684	.56	40	6.0	1550	.58	47	6.5	.75	69	10.7		B	LA	FR	A	S	C	E	B	A	REV.	
														00	63	30	T	01	OY	9	3	0	09	

CUSTOMER APPROVAL:

SIGNED:

DATE:

CUSTOMER: FASCO DIST.

PART NUMBER: D1160

APPLICATION: BATH VENT

MOTOR WEIGHT: 2.07 LBS.

ENVIRONMENT: DRY

FINISH COLOR: BLACK

DRAWN BY: V. LEONARD

DATE DRAWN: FEBRUARY 5,2003



FASCO MOTORS GROUP
AC MOTOR/BLOWER DIVISION

CONFIDENTIAL: DO NOT DUPLICATE OR DISCLOSE TO THIRD PARTIES WITHOUT WRITTEN PERMISSION OF FASCO MOTORS GROUP, AC MOTOR/BLOWER DIVISION.

MOTOR TYPE

DRAWING NUMBER

SHADED POLE

7163 9322

B	LA	FR	A	S	C	E	B	A	REV.
00	63	30	T	01	OY	9	3	0	09