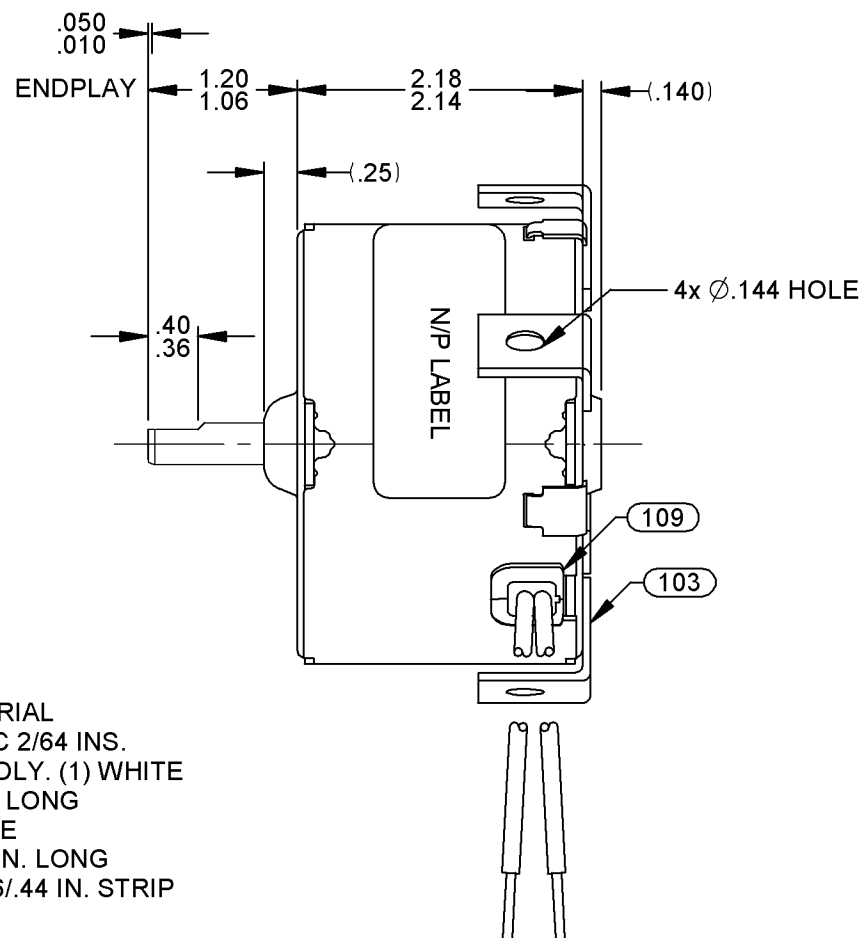
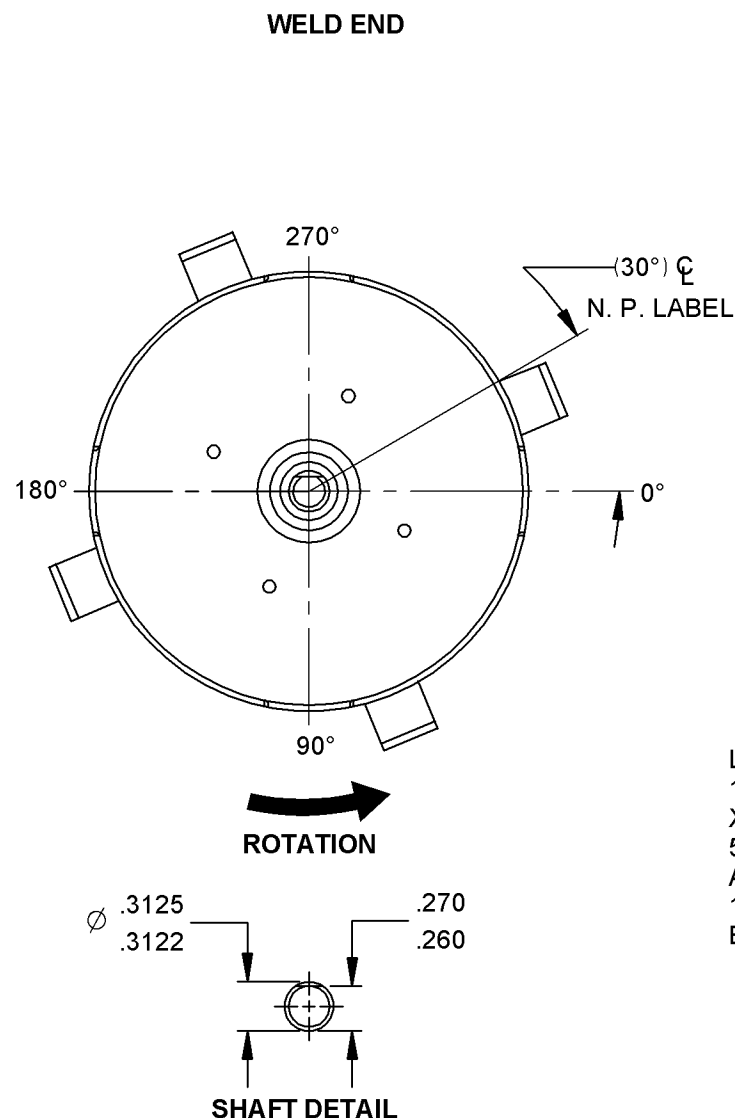
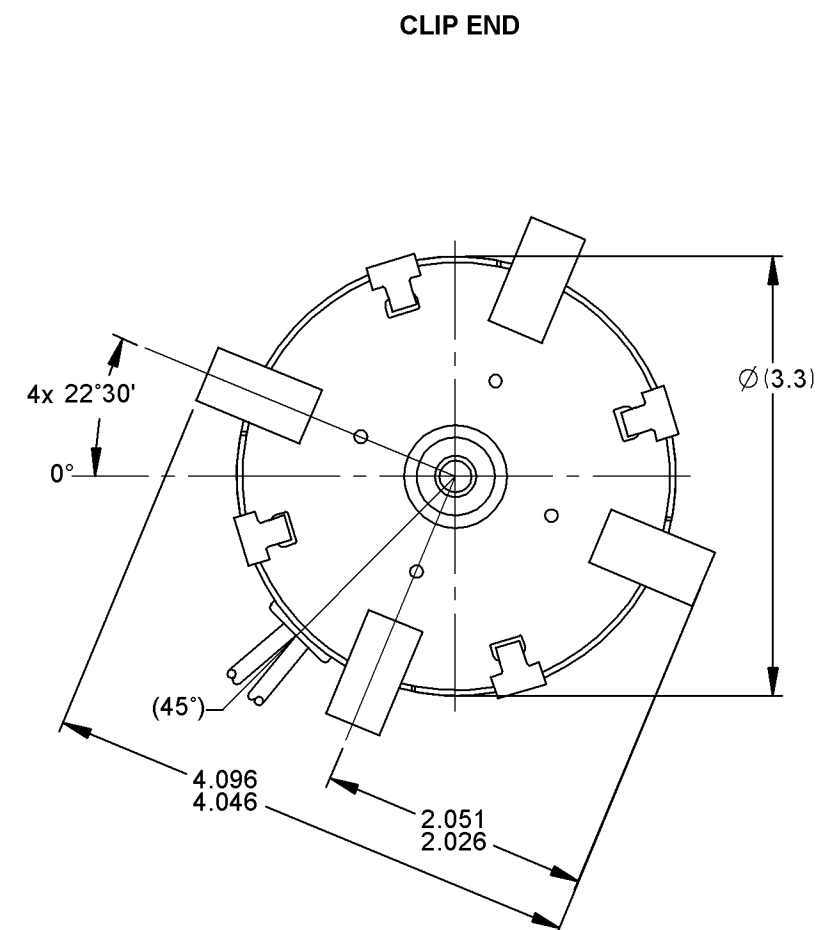


06	REVISED TO SOLID EDGE, ROTATION ARROW, UNFLOW & UPDATE TO MEXICO SPECIFICATIONS.	JT 12-19-01	07	CHANGE NAMEPLATE TO 0046-4072, MOVE LEAD NOTE, MOVE WARING LABEL TO NAMEPLATE.	SDM 10/09/07	08	REMOVE BAR CODE FROM NAMEPLATE.	SDM 08/10/10	STANDARD TOLERANCES: ANGULAR +/- 1 DEGREE 2 PLACE DECIMAL +/- .01 3 PLACE DECIMAL +/- .005		
----	--	-------------	----	--	--------------	----	---------------------------------	--------------	---	--	--



LEAD MATERIAL
18 GA. 125°C 2/64 INS.
X-LINKED POLY. (1) WHITE
5.50/3.50 IN. LONG
AND (1) BLUE
13.50/11.50 IN. LONG
BOTH W/ .56/.44 IN. STRIP



0046-4072

0046-4282

FASCO Fasco Industries, Inc
Motor Division

Assembled In Mexico

No. 71639487	TYPE 63Z25B1	Z.P. TEAO	LR6319
115 V	60 Hz	Class B	
0.4 A	1550 RPM		
Model D1159	(1 spd.)		

1/140 HP
Max Amb:40°C

Vent 656 293 A
and PV7896

SAFETY WARNING
This Motor Must Be Grounded in Accordance With Local Or National Electrical Codes To Prevent Possible Injury Due To Electrical Shock

NOTES:
1. NO PACKING TAPE OVER CARTON LABEL.

FRONT SHAFT POSITION		* TYPICAL PERFORMANCE AT 115 VOLTS 60 Hz.											CUSTOMER: FASCO DIST.		<div style="text-align: center;"> FASCO MOTORS GROUP AC MOTOR/BLOWER DIVISION </div> <p>CONFIDENTIAL: DO NOT DUPLICATE OR DISCLOSE TO THIRD PARTIES WITHOUT WRITTEN PERMISSION OF FASCO MOTORS GROUP, AC MOTOR/BLOWER DIVISION.</p> <table border="1" style="width: 100%;"> <tr> <td colspan="5">MOTOR TYPE</td> <td colspan="5">DRAWING NUMBER</td> </tr> <tr> <td colspan="5" style="text-align: center;">SHADED POLE</td> <td colspan="5" style="text-align: center;">7163 9487</td> </tr> <tr> <td>B</td><td>LA</td><td>FR</td><td>A</td><td>S</td><td>C</td><td>E</td><td>B</td><td>A</td><td>REV.</td><td colspan="2"></td> </tr> <tr> <td>00</td><td>63</td><td>33</td><td>T</td><td>01</td><td>BB</td><td>0</td><td>3</td><td>0</td><td>08</td><td colspan="2"></td> </tr> </table>										MOTOR TYPE					DRAWING NUMBER					SHADED POLE					7163 9487					B	LA	FR	A	S	C	E	B	A	REV.			00	63	33	T	01	BB	0	3	0	08		
MOTOR TYPE					DRAWING NUMBER																																																															
SHADED POLE					7163 9487																																																															
B	LA	FR	A	S	C	E	B	A	REV.																																																											
00	63	33	T	01	BB	0	3	0	08																																																											
HORIZONTAL		MOTOR SPEED	IDLE			LOADED			LOCKED			BREAK	PART NUMBER: D1159	APPLICATION: VENT MOTOR WEIGHT: 2.00 LBS. ENVIRONMENT: DRY FINISH COLOR: BLACK DRAWN BY: J. TINDLE DATE DRAWN: 12-19-2001																																																						
			R.P.M.	AMP.	WATT	IN.OZ.	R.P.M.	AMP.	WATT	IN.OZ.	AMP.	WATT	IN.OZ.																																																							
CUSTOMER APPROVAL:			1695	.37	24	5.7	1550	.40	31	3.0	.54	46	6.6																																																							
SIGNED:																																																																				
DATE:																																																																				

61299553