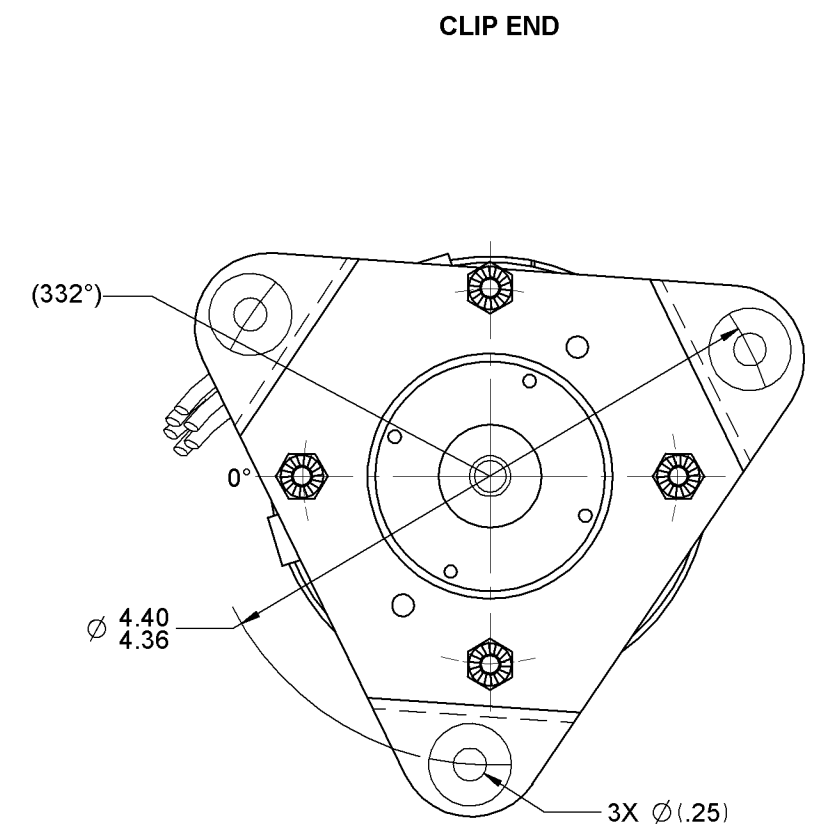
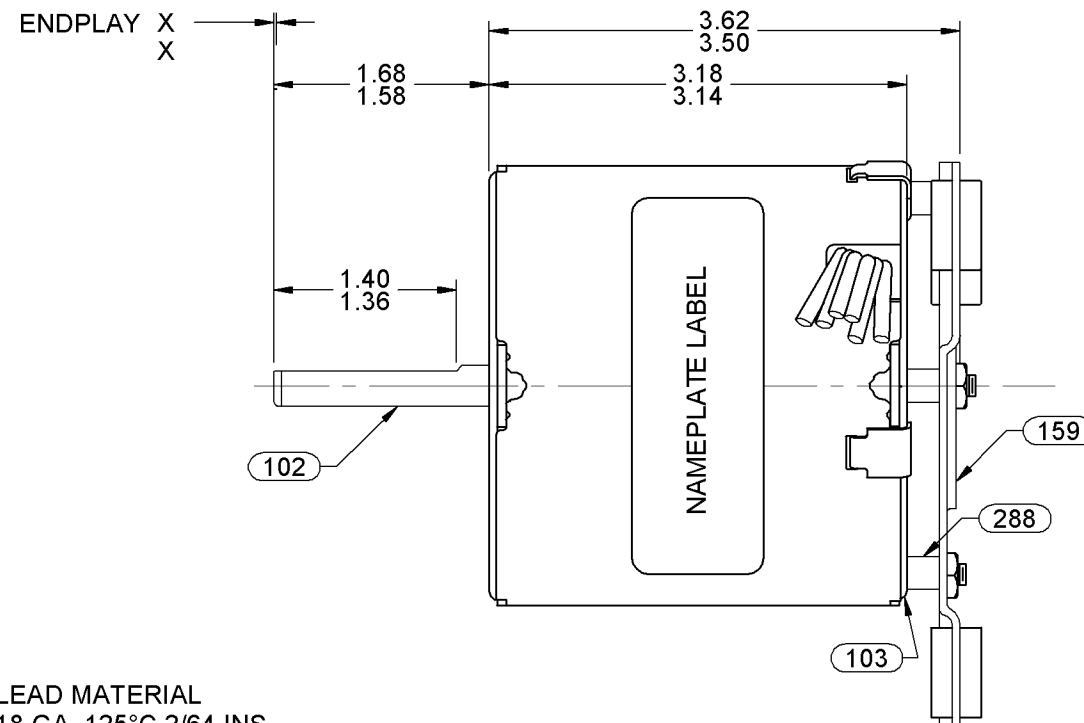
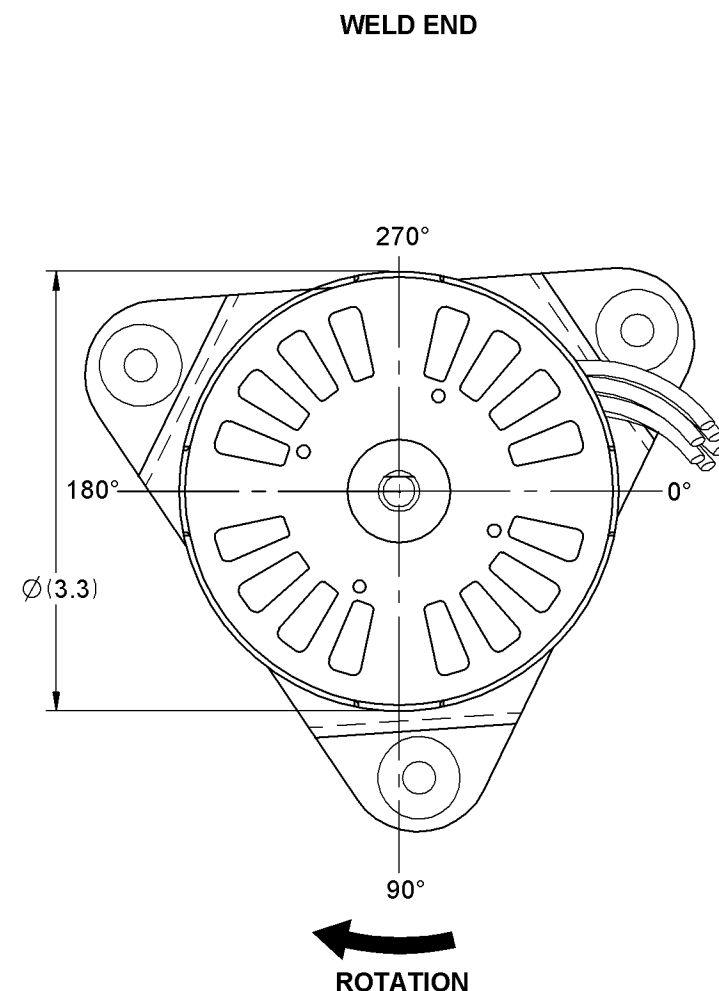
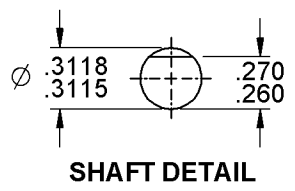


11	CORRECT CUSTOMER PART NUMBER ON N/P.	SDM 08/25/08	12	REMOVED BARCODE FROM N/P LABEL.	JMM 11/05/09	13	UPDATED PACKING NOTES	4005610 SD 5/30/2012	STANDARD TOLERANCES: ANGULAR +/- 1 DEGREE 2 PLACE DECIMAL +/- .01 3 PLACE DECIMAL +/- .005
----	--------------------------------------	--------------	----	---------------------------------	--------------	----	-----------------------	-------------------------	---



LEAD MATERIAL
18 GA. 125°C 2/64 INS.
X-LINKED POLY. (1) BLACK,
(1) BLUE, (1) WHITE, (1) RED,
AND (1) BROWN
44.00/40.00 IN. LONG
.56/.44 IN. STRIP

GROUND LEAD MATERIAL
18 GA. 125°C 2/64 INS.
X-LINKED POLY. GRN/YEL
44.00/40.00 IN. LONG
.56/.44 IN. STRIP



NOTES:
NO PACKAGING TAPE OVER CARTON LABEL.

6129-4832

SAFETY WARNING
⚡ This Motor Must Be Grounded
In Accordance With Local Or
National Electrical Codes
To Prevent Possible Injury
Due To Electrical Shock

ASSEMBLE IN CONVENIENT LOCATION
TO READ RIGHT FROM CLIP END

0046-4072 0046-9150

FASCO Fasco Industries, Inc
Motor Division

Assembled In Mexico
No. 71639458 TYPE U63B1 T.P. AO LR6319
115/208-230 V 60/50 Hz Class B 1/20 HP
1.4/0.8 A 1550/1350 RPM Max Amb:40°C

Connection Diagram:
115 V~ 208-230 V~
Blk — Line Blk — Line
Blu — Line Blu — Line
Wht — Line Wht — Line
Red — Line Red — Line
Brn — Ins Brn — Ins
Grn/Yel — Grd Grn/Yel — Grd

FRONT SHAFT POSITION		TYPICAL PERFORMANCE AT 220-230 VOLTS 50/60 Hz.										CUSTOMER: FASCO DIST.		FASCO MOTORS GROUP AC MOTOR/BLOWER DIVISION CONFIDENTIAL: DO NOT DUPLICATE OR DISCLOSE TO THIRD PARTIES WITHOUT WRITTEN PERMISSION OF FASCO MOTORS GROUP, AC MOTOR/BLOWER DIVISION.				
HORIZONTAL DOWN		MOTOR SPEED	IDLE			LOADED			LOCKED			BREAK	PART NUMBER: D1158					
CUSTOMER APPROVAL: SIGNED: DATE:		220 V 50 Hz	1473	.66	74	29.2	1350	.72	103	14.4	1.07	159	39.1	MOTOR WEIGHT: 4.07 POUNDS				
		230 V 60 Hz	1772	.58	69	31.6	1550	.72	114	11.0	.96	144	32.8	ENVIRONMENT: DRY				
DATE DRAWN: 3-6-2002												FINISH COLOR: BLACK						
												DRAWN BY: S. M. MAGGARD						
		MOTOR TYPE					DRAWING NUMBER					SHADED POLE 7163 9458						
		B	LA	FR	A	S	C	E	B	A	REV. 13							
		00	63	33	V	06	KT	5	0	0								

If Printed, this is an Uncontrolled Document.

61299553