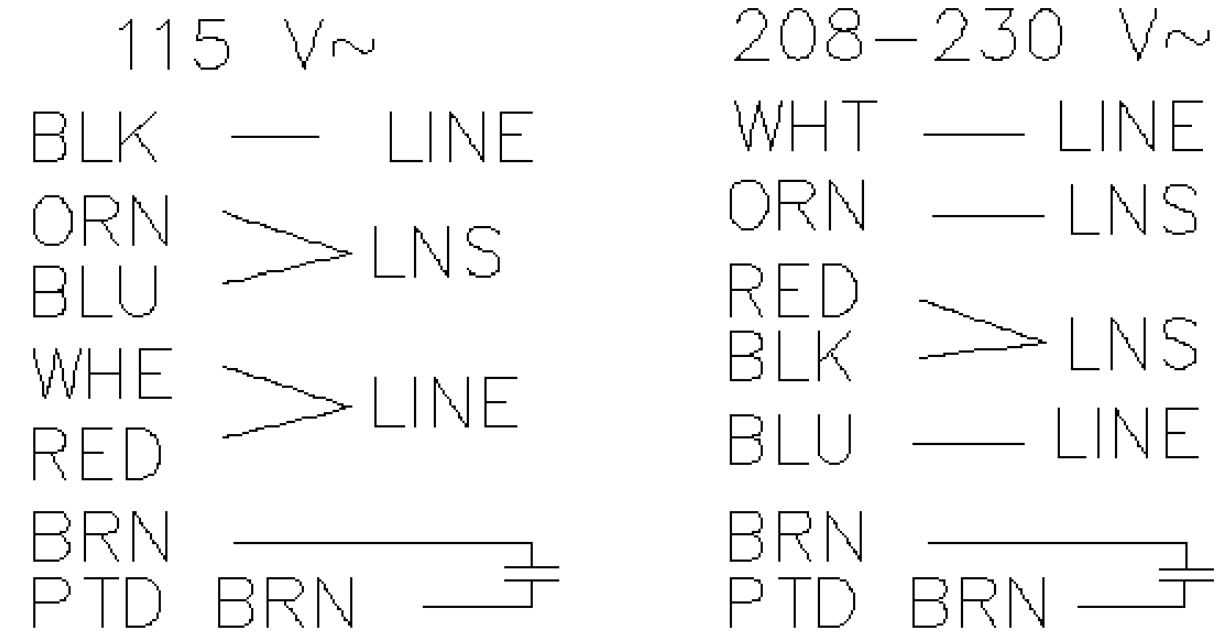


### CONNECTION DIAGRAM



ORACLE REV 00A		DATE 11-19-2014		TOLERANCES UNLESS OTHERWISE SPECIFIED		DRAWN BY: N.HONG	
DRAWING REVISION A	REVISION BY N.HONG	DATE 11-19-2014	DEC.	INCH	mm	ANGLE	DATE: 11-19-2014
ECO	APPROVED BY H.ZHU	DATE 11-19-2014	.X	±0.1	(±2.5)	±0.5°	APPROVED BY: H.ZHU
ECO-0065456			.XX	±0.02	(±0.51)		DATE: 11-19-2014
ECO DESCRIPTION SEE ECO			.XXX	±0.005	(±0.127)		REFERENCE
<small>COPYRIGHT REGAL BELOIT AMERICA, INC. ALL RIGHTS RESERVED. PROPRIETARY AND CONFIDENTIAL INFORMATION - THIS DOCUMENT IS THE PROPERTY OF REGAL BELOIT AMERICA, INC. (OWNER) AND CONTAINS OWNER'S PROPRIETARY INFORMATION. ANY PERSON, CORPORATION OR OTHER FIRM RECEIVING IT IS DEEMED, BY RECEIVING IT, TO AGREE THAT IT, AND/OR ANY PART OF IT, SHALL NOT BE DISCLOSED TO ANY PERSON, CORPORATION OR OTHER ENTITY, DUPLICATED, AND/OR USED, EXCEPT AS EXPRESSLY APPROVED IN WRITING IN ADVANCE BY OWNER. THIS DOCUMENT SHALL BE RETURNED TO OWNER UPON REQUEST. IT MAY BE SUBJECT TO CERTAIN RESTRICTIONS UNDER APPLICABLE EXPORT CONTROL LAWS AND REGULATIONS.</small>				REMOVE BURRS & BREAK SHARP EDGES .003/.015 (0.076/.381) CORNER FILLETS .02 (1.51) MACHINED SURFACES $\frac{25}{\text{INCH}} \sqrt{\text{mm}}$		DESCRIPTION CONN DIAGRAM-NAMEPLATE	
				MATERIAL		PROCESS/FINISH	
				SEE NOTE 1		-	
				SIZE DWG NO		SHEET	
				C		1	
				D0000535-003		1	