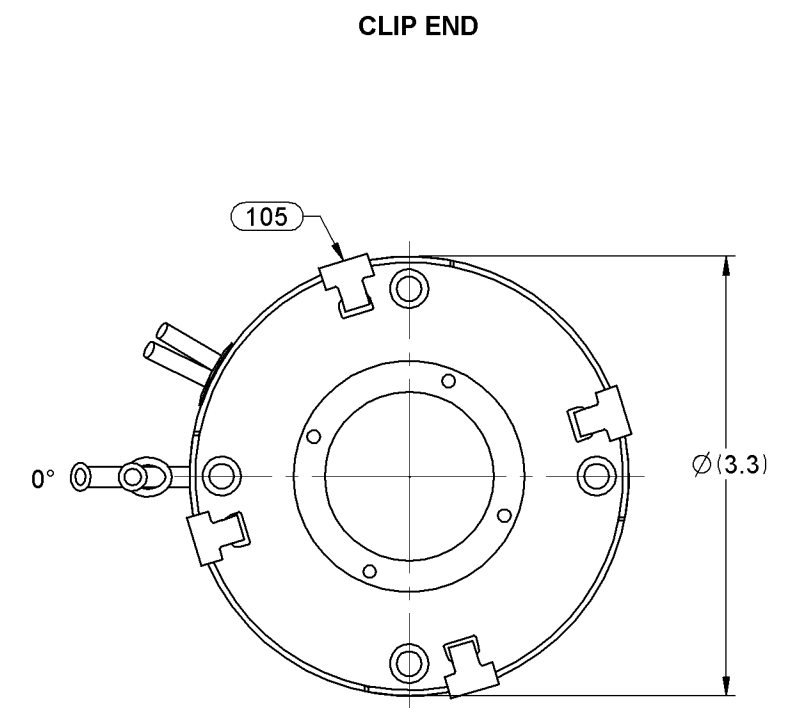
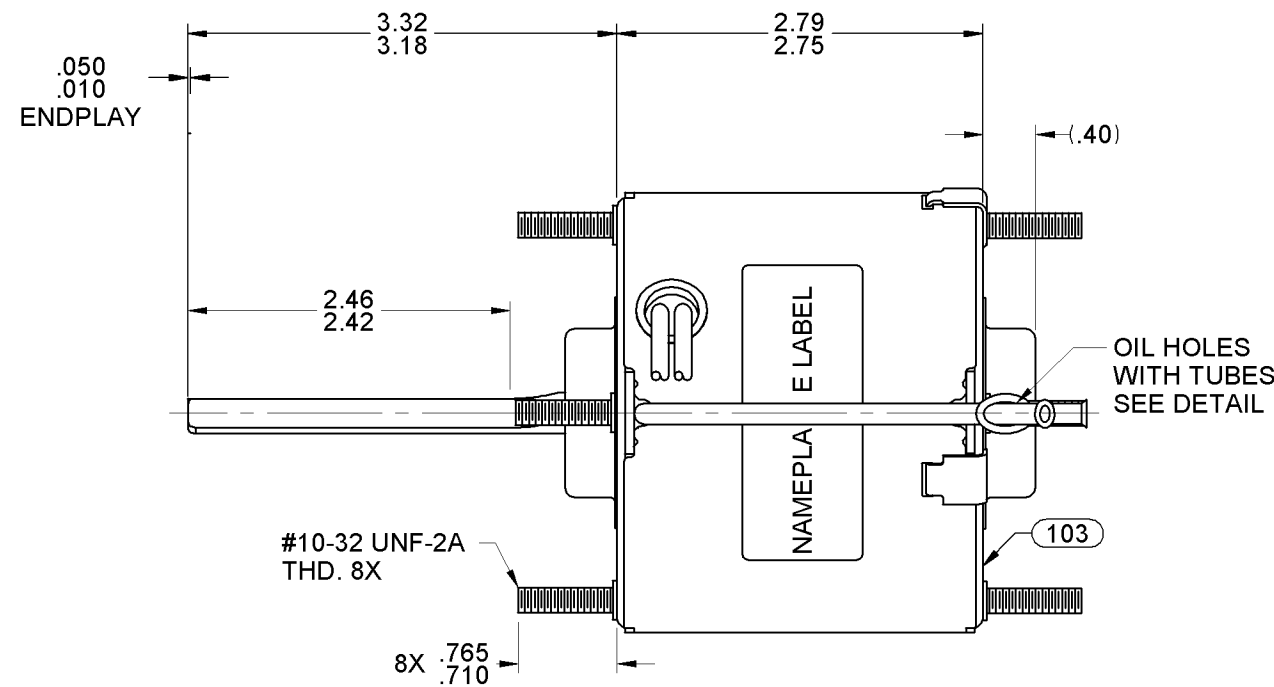
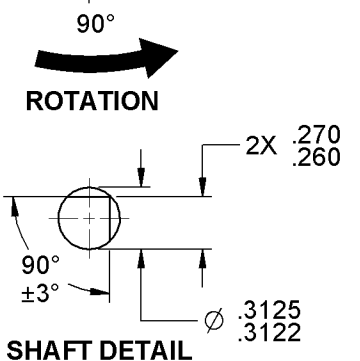
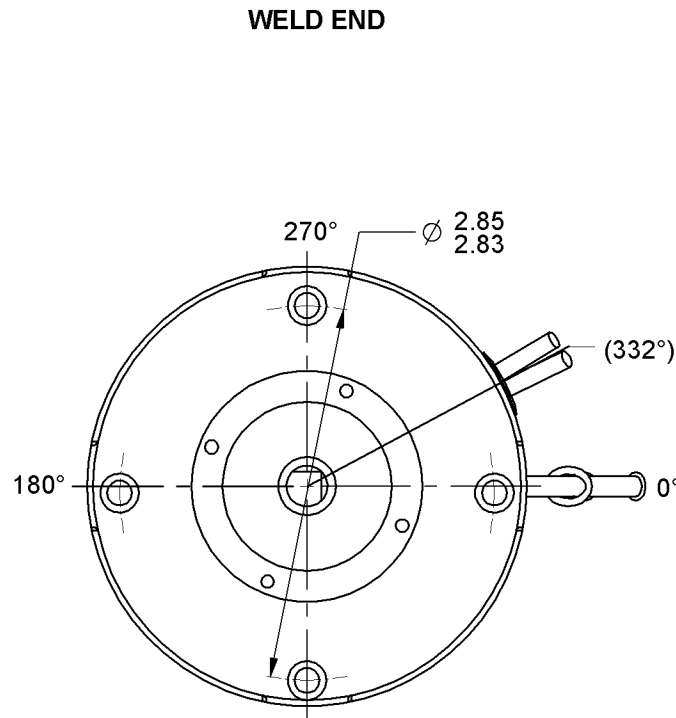
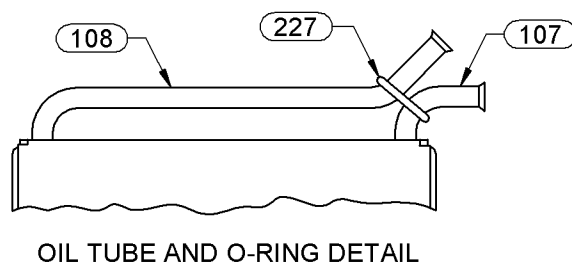
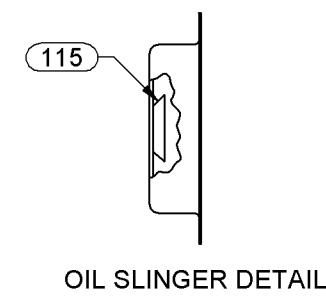


15	REMOVE BARCODE AND UPDATE NAMEPLATE. KSA 12-30-09	16	ADDED SHAFT LENGTH TO SH. 3 OF 7163 BP 02/16/10	17	ADD SHAFT EXTENSION DIMENSION, ADD PACKING TAPE NOTE. 4003168 SDM 09/12/11	STANDARD TOLERANCES: ANGULAR +/- 1 DEGREE 2 PLACE DECIMAL +/- .01 3 PLACE DECIMAL +/- .005			
----	--	----	--	----	--	---	--	--	--



LEAD MATERIAL
18 GA. 125°C 2/64INS.
X-LINKED POLY. (2) BLACK
31.00/29.00 IN. LONG
.56/.44 IN. STRIP



- NOTES:
1. ASSEMBLE OIL TUBES AS CLOSE TO SLEEVE AS POSSIBLE
 2. 216 MAXIMUM MOTORS PER PALLET
 3. NO PACKING TAPE OVER CARTON LABEL.

0046-4072 0046-4282

FASCO Fasco Industries, Inc
Motor Division

Assembled In Mexico
No. 71634722 TYPE U63B1 T.P. TEAO LR6319
115 V 60 Hz Class B
1.2 A 1500 RPM
Model D1151

SAFETY WARNING
This Motor Must Be Grounded in Accordance With Local Or National Electrical Codes To Prevent Possible Injury Due To Electrical Shock

61299553

FRONT SHAFT POSITION	* TYPICAL PERFORMANCE AT 115 VOLTS 60 Hz.												CUSTOMER: FASCO DIST.	FASCO FASCO MOTORS GROUP AC MOTOR/BLOWER DIVISION																
HORIZONTAL UP DOWN	MOTOR SPEED	IDLE			LOADED			LOCKED			BREAK	PART NUMBER: D1151	CONFIDENTIAL: DO NOT DUPLICATE OR DISCLOSE TO THIRD PARTIES WITHOUT WRITTEN PERMISSION OF FASCO MOTORS GROUP, AC MOTOR/BLOWER DIVISION.																	
		R.P.M.	AMP.	WATT	IN.OZ.	R.P.M.	AMP.	WATT	IN.OZ.	AMP.	WATT	IN.OZ.	APPLICATION:	MOTOR TYPE					DRAWING NUMBER											
CUSTOMER APPROVAL:												MOTOR WEIGHT: 3.38 LBS.	SHADED POLE					7163 4722												
SIGNED:												ENVIRONMENT: DRY	FINISH COLOR: BLACK					REV. 17												
DATE:												DRAWN BY: V. LEONARD	B	LA	FR	A	S	C	E	B	A	00	63	30	T	05	DP	5	4	0
												DATE DRAWN: NOVEMBER 6, 2002																		

If Printed, this is an Uncontrolled Document.