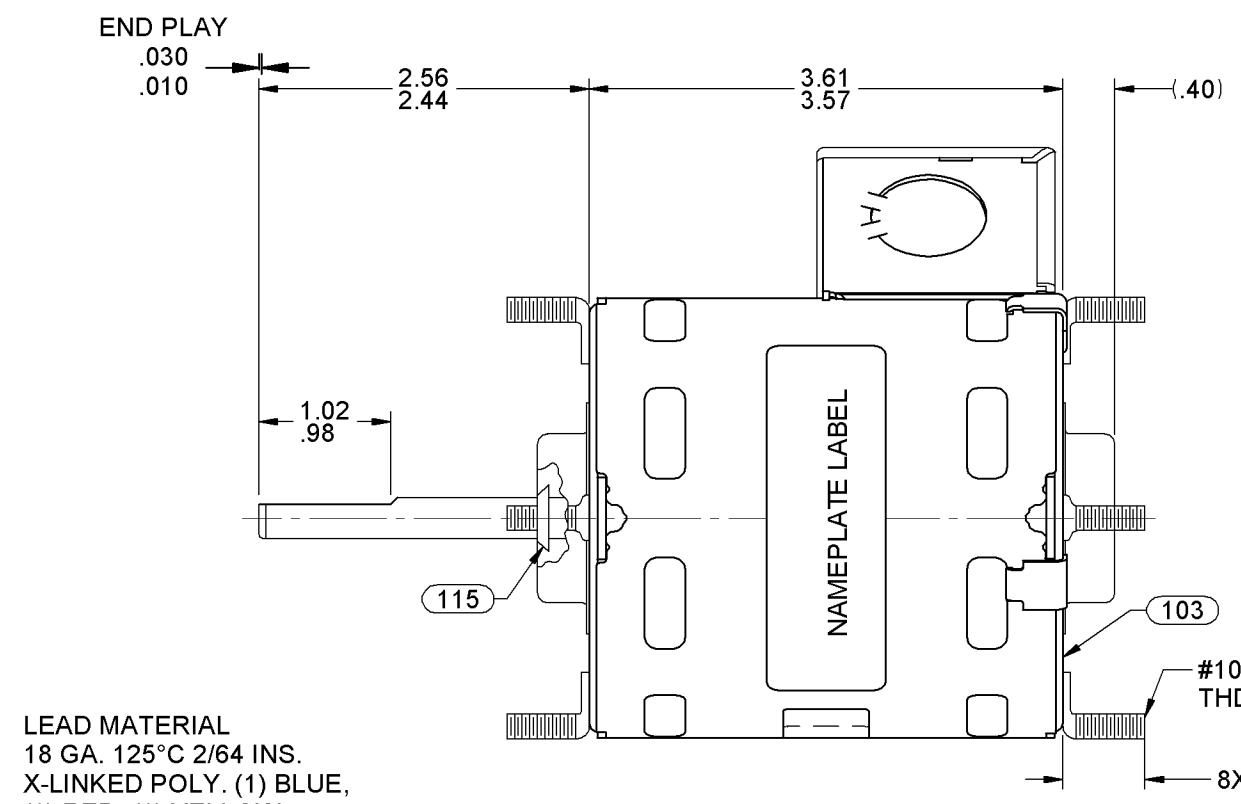
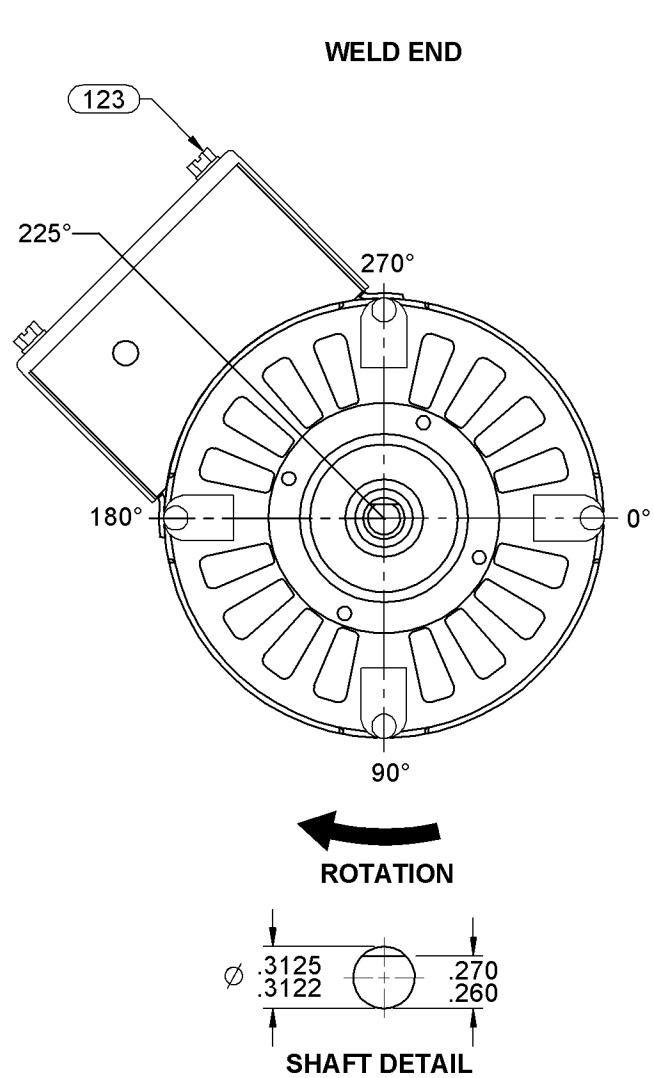
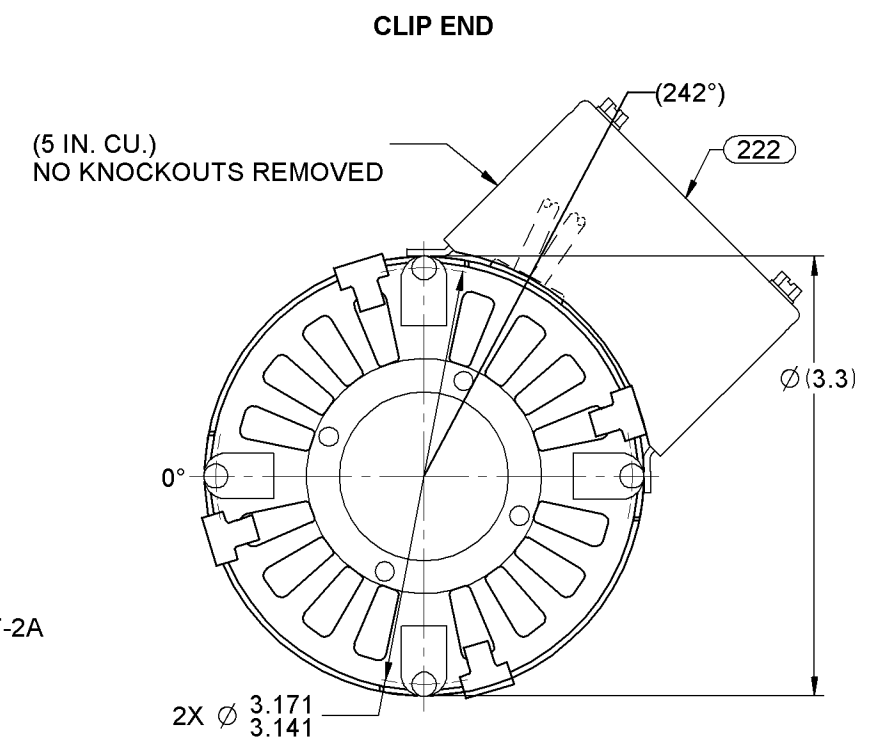


35	CORRECTED 50 Hz VOLTAGE IN TYPICAL PERFORMANCE SD 8-16-10	36	SHOWED ALL SHAFT POSITIONS, AND REVISED PACKING QTY NOTE	4004959 MLM 03/15/12	37	ADDED PARALLEL RESISTANCE VALUE TO STATOR DRAWING	4011752 SD 8-16-10	STANDARD TOLERANCES: ANGULAR +/- 1 DEGREE 2 PLACE DECIMAL +/- .01 3 PLACE DECIMAL +/- .005
----	--	----	--	-------------------------	----	---	-----------------------	---



LEAD MATERIAL
18 GA. 125°C 2/64 INS.
X-LINKED POLY. (1) BLUE,
(1) RED, (1) YELLOW,
(1) BLACK, AND (1) ORANGE
14.00/12.00 IN. LONG
.56/.44 IN. STRIP



NOTES:
NO PACKAGING TAPE OVER CARTON LABEL.

6129-4832
SAFETY WARNING
This Motor Must Be Grounded In Accordance With Local Or National Electrical Codes To Prevent Possible Injury Due To Electrical Shock

0046-4072 0046-9145

FASCO Fasco Industries, Inc Motor Division

Assembled In Mexico
No. 71634341 TYPE U63B1 T.P. AO
115/230 V 60/50 Hz Class B
1.7/0.9 A 1500/1300 RPM 1/15 HP
Model D1142 Max Amb:40°C

Connection Diagram
115 V 230 V
Orn Line Orn Line
Yel Line Yel Line
Red Line Red Line
Blu Blu
Blk Ins

61299553

FRONT SHAFT POSITION	* TYPICAL PERFORMANCE AT 115 VOLTS 50/60 Hz.											CUSTOMER: FASCO DIST.	FASCO FASCO MOTORS GROUP AC MOTOR/BLOWER DIVISION CONFIDENTIAL: DO NOT DUPLICATE OR DISCLOSE TO THIRD PARTIES WITHOUT WRITTEN PERMISSION OF FASCO MOTORS GROUP, AC MOTOR/BLOWER DIVISION.										
HORIZONTAL DOWN	MOTOR SPEED	IDLE			LOADED			LOCKED			BREAK	PART NUMBER: D1142						MOTOR TYPE					
		R.P.M.	AMP.	WATT	IN.OZ.	R.P.M.	AMP.	WATT	IN.OZ.	AMP.	WATT	IN.OZ.	APPLICATION: COUNTER SALES	DRAWING NUMBER									
CUSTOMER APPROVAL:	115V 60 HZ	1769	1.39	69	38.0	1550	1.71	114	13.8	2.39	150	38.5	MOTOR WEIGHT: 4.84 LBS.	SHADED POLE									
SIGNED:	115V 50 HZ	1474	1.51	81	46.1	1300	1.81	132	19.2	2.67	188	52.7	ENVIRONMENT: DRY	7163 4341									
DATE:													FINISH COLOR: BLACK	B	LA	FR	A	S	C	E	B	A	REV.
													DRAWN BY: V. LEONARD	00	63	30	V	08	BJ	5	4	0	37
													DATE DRAWN: 7-24-03										

If Printed, this is an Uncontrolled Document.