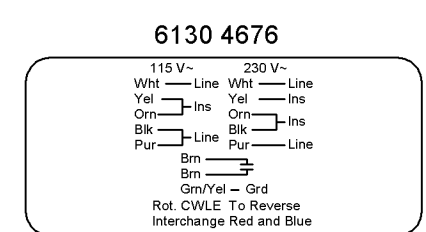
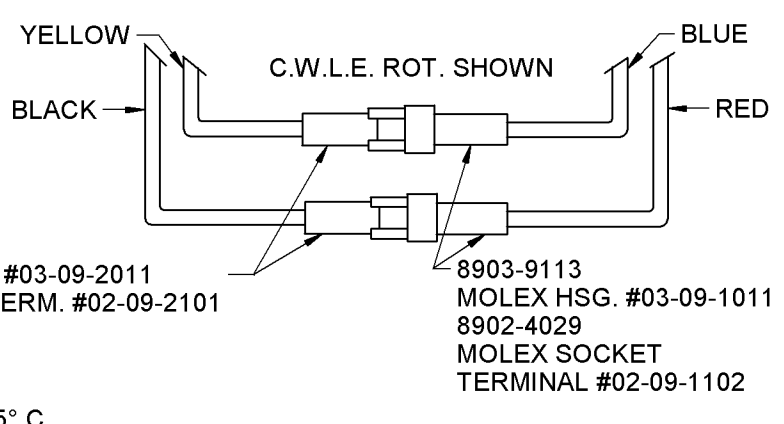
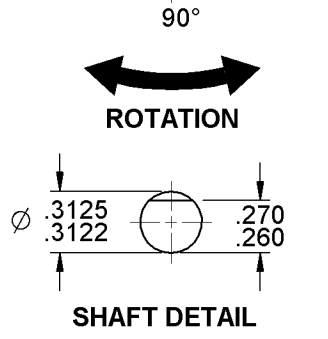
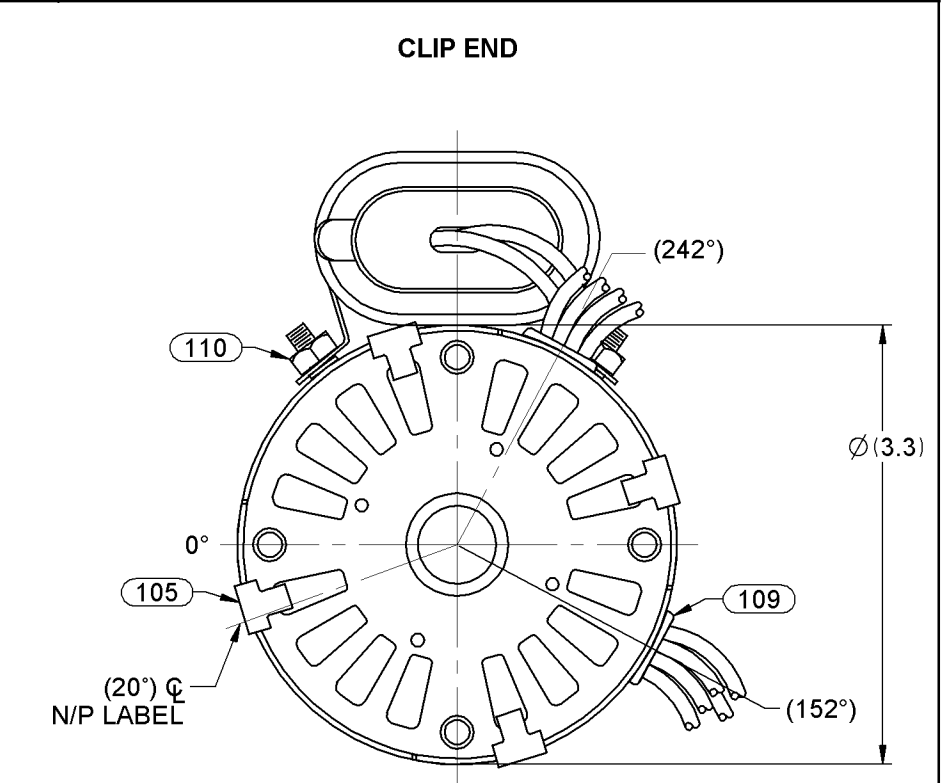
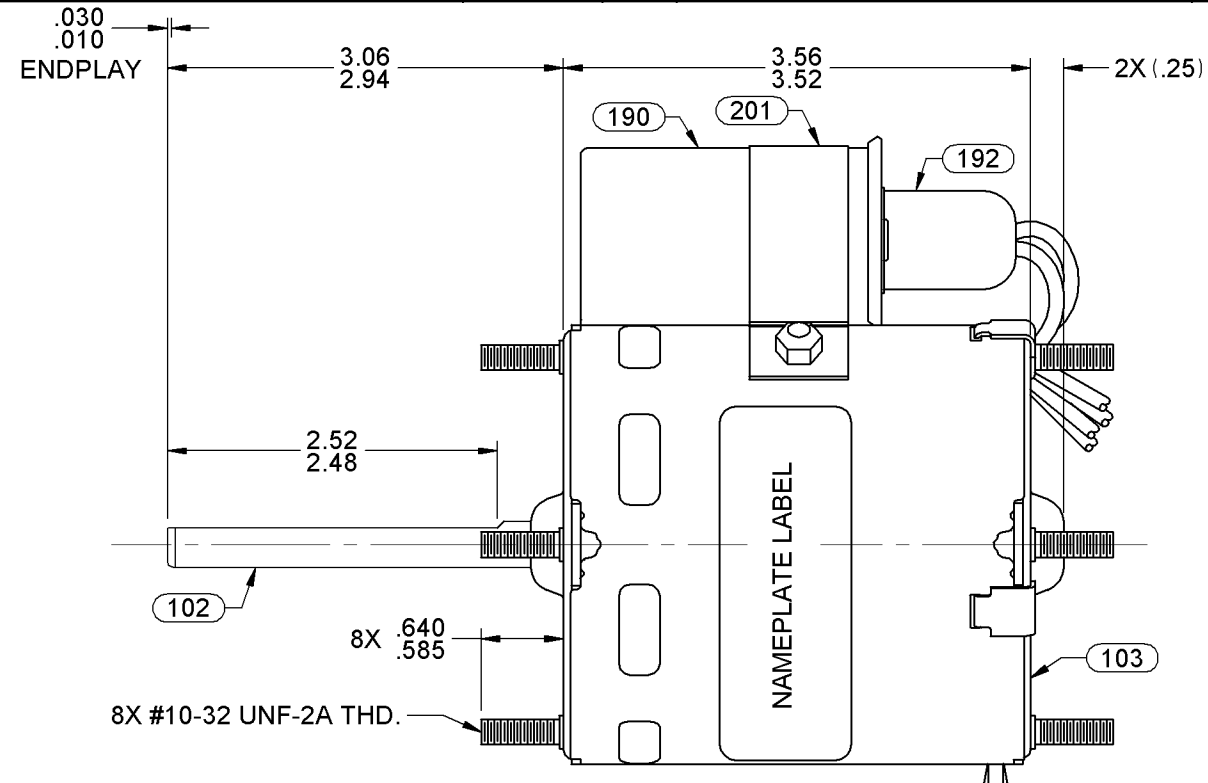
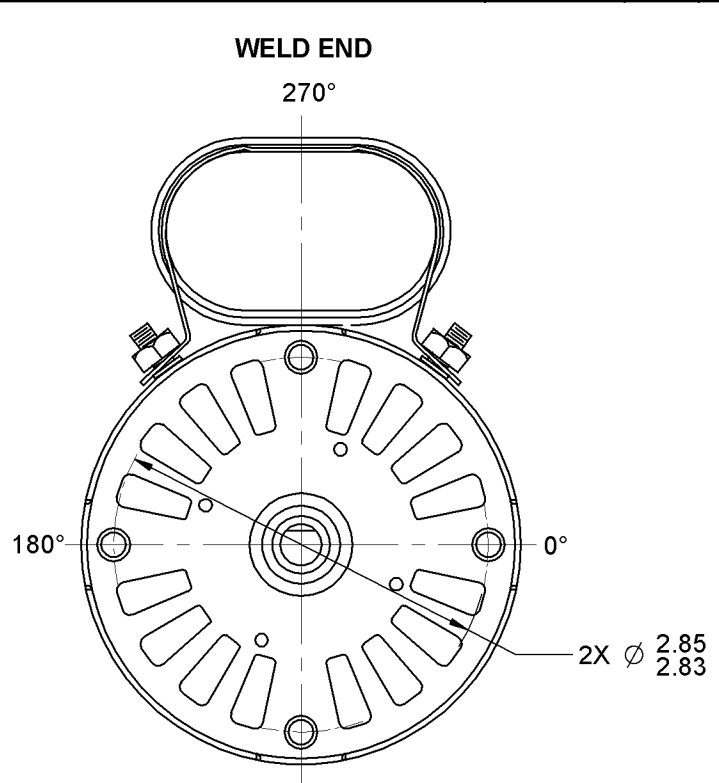


06	ADDED CARTON LABEL NOTES	4002577 MLM 7/7/11	07	REVISED REVERSING LEAD COLORS AND LEAD LENGTH	4003241 SD 9-20-11	08	ADDED GROUND LEAD DATA	0062160 SD 11/7/2014	STANDARD TOLERANCES: ANGULAR +/- 1 DEGREE 2 PLACE DECIMAL +/- .01 3 PLACE DECIMAL +/- .005		
----	--------------------------	-----------------------	----	---	-----------------------	----	------------------------	-------------------------	---	--	--



8903-9114 MOLEX HSG. #03-09-2011
8903-9055 MOLEX PIN TERM. #02-09-2101

8903-9113 MOLEX HSG. #03-09-1011
8902-4029 MOLEX SOCKET TERMINAL #02-09-1102

LEAD MATERIAL
18 GA. 2/64 INS. 125° C.
X-LINKED POLYETHYLENE
WHITE, BLACK, PURPLE,
YELLOW, ORANGE,
20.00 / 18.00" W/STRIP .56 / .44"

CAPACITOR LEADS
(2) BROWN, 6.00 / 4.00"
W/WFLAG TERMINALS
8903-4045 AMP #42742-2

GROUND LEAD
GRN/YEL, 20.00 / 18.00"
W/STRIP .56 / .44"

REVERSING LEADS
RED, BLUE, YELLOW,
BLACK, 6.00" MAX.

NOTES:
MOTOR HAS #416 STAINLESS STEEL SHAFT.
PACK 150 MOTORS MAX. PER PALLET.
NO PACKAGING TAPE OVER CARTON LABEL.

PLACE CONNECTION DIAGRAM LABEL IN A CONVENIENT LOCATION TO READ RIGHT FROM BACK END

0046-4072 0046-4282

Fasco Industries, Inc. Motor Division

Assembled in Mexico

No. 71903026	TYPE U90B1	T.P. AO
115/230 V	60 Hz	Class B
1.1/0.6 A	1550 RPM	1/12 HP
Model D1127		Max Amb: 40° C
LR6319		

SAFETY WARNING
This Motor Must Be Grounded in Accordance With Local Or National Electrical Codes To Prevent Possible Injury Due To Electrical Shock

7.5 MFD/370 VAC

6129 9553

FRONT SHAFT POSITION	TYPICAL PERFORMANCE AT 115/230 VOLTS 60 Hz.								CAP: 7.5 MFD 370 VAC				CUSTOMER: FASCO DIST.	FASCO FASCO MOTORS GROUP AC MOTOR/BLOWER DIVISION
	MOTOR SPEED	IDLE			LOADED			LOCKED		BREAK	PART NUMBER: D1127			
HORIZONTAL		R.P.M.	AMP.	WATT	IN.OZ.	R.P.M.	AMP.	WATT	IN.OZ.	AMP.	WATT	IN.OZ.	APPLICATION: REFRIGERATION	CONFIDENTIAL: DO NOT DUPLICATE OR DISCLOSE TO THIRD PARTIES WITHOUT WRITTEN PERMISSION OF FASCO MOTORS GROUP, AC MOTOR/BLOWER DIVISION.
UP DOWN	115 V~	1790	.61	66	52.6	1550	1.04	119	21.5	1.49	168	53.2	MOTOR WEIGHT: 3.6 LBS.	
CUSTOMER APPROVAL:	230 V~	1790	.34	74	49.3	1550	.50	115	19.7	.76	170	51.3	ENVIRONMENT: DRY	MOTOR TYPE
SIGNED:													FINISH COLOR: BLACK	P.S.C.
DATE:													DRAWN BY: S. M. MAGGARD	DRAWING NUMBER
													DATE DRAWN: 11-28-2005	7190 3026
	B	LA	FR	A	S	C	E	B	A	REV. 08				
	00	90	30	V	05	CU	5	3	0					

If Printed, this is an Uncontrolled Document.