

- NOTES:
1. MOTOR MEETS VDE SPECIFICATIONS.
  2. MOTOR HAS 416 S.S. SHAFT.
  3. NO PACKAGING TAPE OVER CARTON LABEL.

61305568

00464537

00469133

**SAFETY WARNING**  
This motor must be grounded in accordance with local or national electrical codes to prevent possible injury due to electrical shock

**AVERTISSEMENT DE SÉCURITÉ**  
Ce moteur doit être fondée sur conformément à la réglementation locale ou national électrique codes pour prévenir d'éventuelles blessures en raison de choc électrique

**FASCO** Fasco Industries, Inc. Motor Division

Assembled in Mexico

No. 71903004 TYPE U90B1 T.P. AO  
208-230 V 50/60 Hz Class B  
0.4/0.5 A 1400/1550 RPM 1/20/1/15 HP  
Model D1123 E40513

**REGAL** Connection Diagram

Blk — Line  
Blk — Line  
Brn —  
Brn —  
Grn/Yel — Grd

4 MFD/370 VAC

61299553

CUSTOMER:	HEATCRAFT	APPLICATION:	
CUSTOMER PN:	25309101	MOTOR WEIGHT:	4.50 LBS.
	UP	ENVIRONMENT:	DRY
MOTOR TYPE		REFERENCE SAMPLE	
P.S.C.			
B	LA	FR	A
00	90	30	V
		S	05
		C	ON
		E	5
		B	3
		A	0
TYPICAL PERFORMANCE AT 208-230 VOLTS 50/60 HZ			
CAP: 4 MFD/370 VAC			
IDLE		LOADED	
MOTOR SPEED	RPM	AMP	WATT
208/50	1479	.25	47
208/60	1778	.20	40
230/50	1480	.30	63
230/60	1781	.24	53
IN OZ		AMP	
29.1	1400	.33	69
42.2	1550	.46	92
34.3	1400	.37	84
50.2	1550	.48	108
WATT		IN OZ	
69	17.8	.76	157
92	17.7	.70	141
84	21.7	.82	189
108	22.0	.75	171
BREAK		IN OZ	
54.4		45.9	65.5
56.7			

APPLY IN A CONVENIENT LOCATION TO READ FROM CLIP END

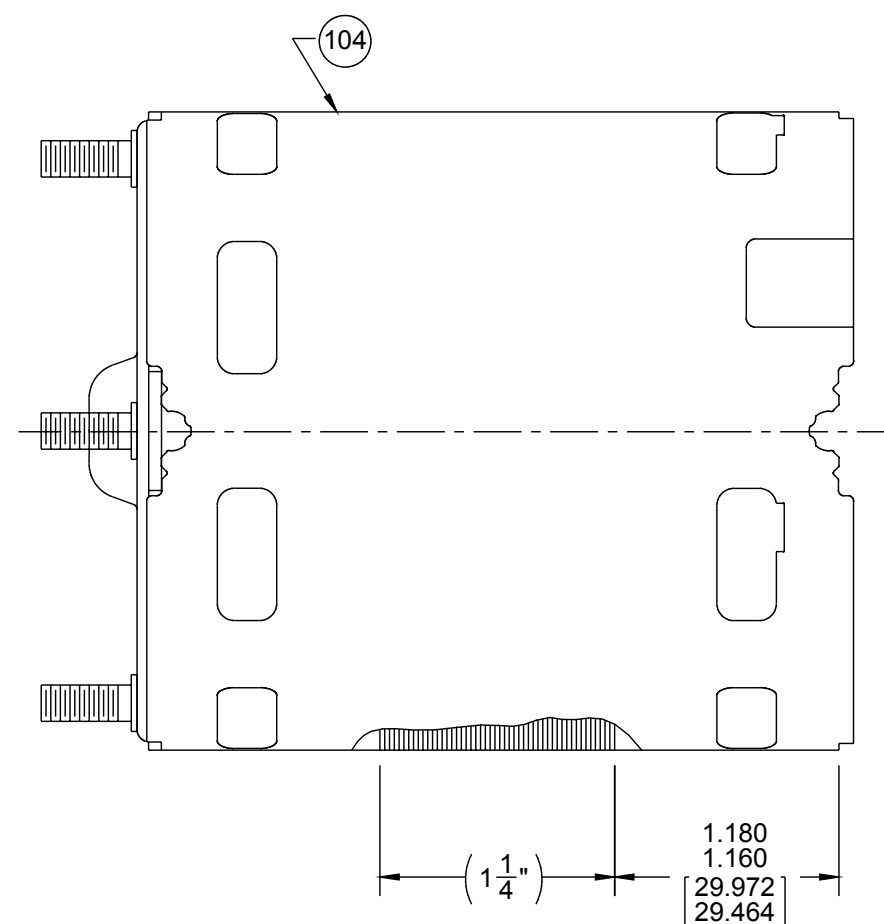
DRAWING REVISION	REVISION BY	DATE	TOLERANCES UNLESS OTHERWISE SPECIFIED:	DRAWN BY	REGAL™ Regal Beloit America, Inc.	
G	RPT	11/13/2015	DEC. INCH mm ANGLE ±1°	RPT		
ECO-0088873	APPROVED BY	DATE	.X ±0.1 [±2.5]	DATE	11/05/2015	
	JMG	11/13/2015	.XX ±0.01 [±0.25]	APPROVED BY	JMG	
ECO DESCRIPTION			.XXX ±0.005 [±0.127]	DATE	11/05/2015	
REMOVED LR6319 FROM LABEL			.XXXX ±0.0005 [±0.0127]	REFERENCE	MATERIAL	
COPYRIGHT REGAL BELOIT AMERICA, INC. ALL RIGHTS RESERVED. PROPRIETARY AND CONFIDENTIAL INFORMATION - THIS DOCUMENT IS THE PROPERTY OF REGAL BELOIT AMERICA, INC. (OWNER) AND CONTAINS OWNER'S PROPRIETARY INFORMATION. ANY PERSON, CORPORATION OR OTHER FIRM RECEIVING IT IS DEEMED, BY RECEIVING IT, TO AGREE THAT IT, AND/OR ANY PART OF IT, SHALL NOT BE DISCLOSED TO ANY PERSON, CORPORATION OR OTHER ENTITY, DUPLICATED, AND/OR USED, EXCEPT AS EXPRESSLY APPROVED IN WRITING IN ADVANCE BY OWNER. THIS DOCUMENT SHALL BE RETURNED TO OWNER UPON REQUEST. IT MAY BE SUBJECT TO CERTAIN RESTRICTIONS UNDER APPLICABLE EXPORT CONTROL LAWS AND REGULATIONS.			REMOVE BURRS & BREAK SHARP EDGES: .003/.015 [0.076/.381] X 45° CORNER FILLETS: R.02 [51] MACHINED SURFACES: .125 INCH mm 3.2 INCH mm SHOWN IN [BRACKETS]	DESCRIPTION	MOTOR ASSY	
				THIRD ANGLE PROJECTION	SIZE	DRAWING NUMBER
				C	71903004	PROCESS/FINISH BLACK
					1	SHEET 1 OF 2

ORACLE PART REV. 006

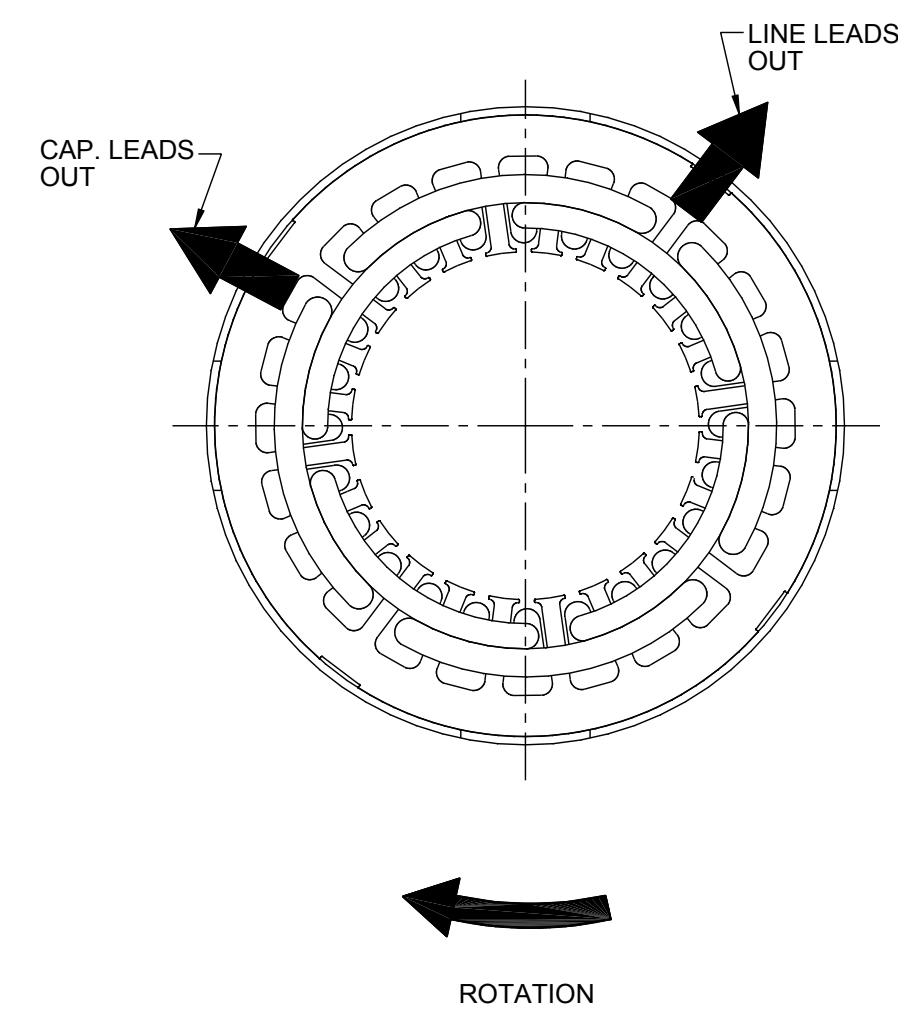
NOTES:

1. STAKE STATOR TO SLEEVE PER 88830264.
2. MAXIMUM TORQUE REQUIRED TO TURN MOTOR SHAFT IS 3/8 IN. OZ.
3. MAKE UP WASHERS ARE TO BE ADDED OR DELETED TO ACHIEVE REQUIRED ENDPLAY.
4. SEE ROTOR AND SHAFT DRAWING FOR WASHER SET-UP.
5. ASSEMBLE LOCK WASHER BETWEEN CAPACITOR BRACKET AND MOTOR.

FRONT END



BACK END



PACKING SPECIFICATIONS

1. PACK PER 88834200. 1 PER CARTON, 25 PER LAYER, 6 LAYERS PER PALLET, 150 MAX. AMOUNT PER PALLET.
2. PLACE FOAM RING ON BACK END OF MOTOR, PLACE FILLER TUBE OVER SHAFT EXTENSION AND PLACE MOTOR IN CARTON, STUFF PAPER AROUND MOTOR TO PREVENT MOVEMENT DURING SHIPMENT.
3. PLACE (1) FLAT PAD ON PALLET, (1) BETWEEN EACH LAYER AND (1) ON TOP.
4. CARTON LABELS MUST ALL FACE ONE DIRECTION TOWARD OPEN END OF PALLET.

DRAWING REVISION G	REVISION BY RPT	DATE 11/13/2015	TOLERANCES UNLESS OTHERWISE SPECIFIED: DEC. INCH mm ANGLE	DRAWN BY RPT	REGAL™ Regal Beloit America, Inc.	
ECO-0088873	APPROVED BY JMG	DATE 11/13/2015	.X ±0.1 [±2.5] ±1° .XX ±0.01 [±0.25] .XXX ±0.005 [±0.127] .XXXX ±0.0005 [±0.0127]	DATE 11/05/2015	DESCRIPTION MOTOR ASSY	
ECO DESCRIPTION REMOVED LR6319 FROM LABEL			REMOVE BURRS & BREAK SHARP EDGES: 003/015 [076/381] X 45° CORNER FILLETS: R.02 [51] MACHINED SURFACES: 125/ mm 3.2/ INCH	APPROVED BY JMG	PROCESS/FINISH BLACK	
<small>COPYRIGHT REGAL BELOIT AMERICA, INC. ALL RIGHTS RESERVED. PROPRIETARY AND CONFIDENTIAL INFORMATION - THIS DOCUMENT IS THE PROPERTY OF REGAL BELOIT AMERICA, INC. ("OWNER") AND CONTAINS OWNER'S PROPRIETARY INFORMATION. ANY PERSON, CORPORATION OR OTHER FIRM RECEIVING IT IS DEEMED, BY RECEIVING IT, TO AGREE THAT IT, AND/OR ANY PART OF IT, SHALL NOT BE DISCLOSED TO ANY PERSON, CORPORATION OR OTHER ENTITY, DUPLICATED, AND/OR USED, EXCEPT AS EXPRESSLY APPROVED IN WRITING IN ADVANCE BY OWNER. THIS DOCUMENT SHALL BE RETURNED TO OWNER UPON REQUEST. IT MAY BE SUBJECT TO CERTAIN RESTRICTIONS UNDER APPLICABLE EXPORT CONTROL LAWS AND REGULATIONS.</small>			mm SHOWN IN [BRACKETS]	DATE 11/05/2015	DRAWING NUMBER 71903004	
THIRD ANGLE PROJECTION				SIZE C	SHEET 2 OF 2	