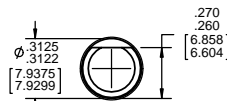
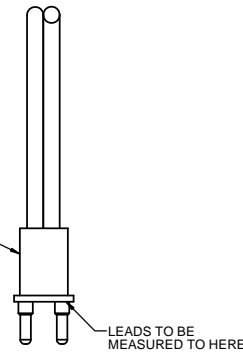


LEAD MATERIAL
18 GA. 105°C 4/64 INSUL.
PARALLELE PVC
BLACK
12.00/10.00 [304.80/254.00]



DETAIL A
SHAFT



61305568

- NOTES:
1. STUDS MUST BE FREE OF PAINT.
2. NO PACKING TAPE OVER CARTON LABEL.

SAFETY WARNING
This motor must be grounded in accordance with local or national electrical codes to prevent possible injury due to electrical shock



AVERTISSEMENT DE SECURITE
Ce moteur doit être fondée sur conformément à la réglementation locale ou national électrique codes pour prévenir d'éventuelles blessures en raison de choc électrique

00464071

FASCO Fasco Industries, Inc.
Motor Division

Assembled in Mexico

No. 71731616 TYPE U73B1 AO LR6319
208-230 V 60 Hz Class B 1/20 HP
1.0 A 1550 RPM Max Amb: 40°C
Model D1121 Thermally Protected

61299553

CUSTOMER:	FASCO DIST.	APPLICATION:	DIST.
CUSTOMER PN:	D1121	MOTOR WEIGHT:	4.62 LBS.
		ENVIRONMENT:	WET
		MOTOR TYPE	REFERENCE SAMPLE
		SHADED POLE	
		B LA FR A S C E B A	
		00 73 30 V 08 EP 5 4 0	
TYPICAL PERFORMANCE AT 230 VOLTS 60 HZ			
	IDLE		LOADED
	LOCKED		BREAK
MOTOR SPEED	RPM	AMP	WATT
	1770	.99	116
			56.4
			1550
			1.25
			188
			22.4
			1.84
			270
			58.1

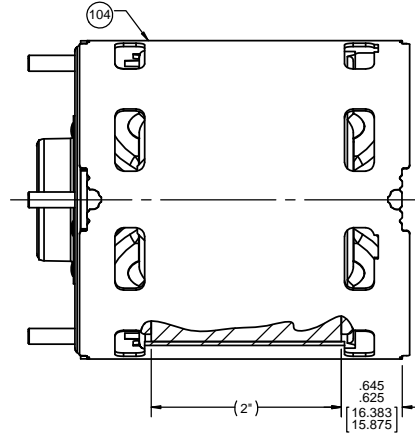
DRAWING REVISION	AA	REVISION BY	MLS	DATE	3/21/2017
ECO DESCRIPTION	ECO-0119917	APPROVED BY	SED	DATE	3/21/2017
REVISED CORSET MATERIAL PER CUST. REQUEST.					
TOLERANCES UNLESS OTHERWISE SPECIFIED:					
DEC.	INCH	mm	ANGLE		
X	+0.1	[±2.5]	1°		
XX	+0.01	[±0.25]			
XXX	+0.005	[±0.127]			
.XXXX	+0.0005	[±0.0127]			
REMOVE BURRS & BREAK SHARP EDGES: .003/.015 [0.076/.381] X 45° CORNER FILLETS: R.02 [S1]					
MACHINED SURFACES: 125 / 32 INCH / mm					
mm SHOWN IN [BRACKETS]					

DRAWN BY	MLS	DATE	3/21/2017
APPROVED BY	SED	DATE	3/21/2017
REFERENCE			
MATERIAL		PROCESS/FINISH	BLACK
THIRD ANGLE PROJECTION		SIZE	C
DRAWING NUMBER	71731616		
SHEET	1 OF 2		

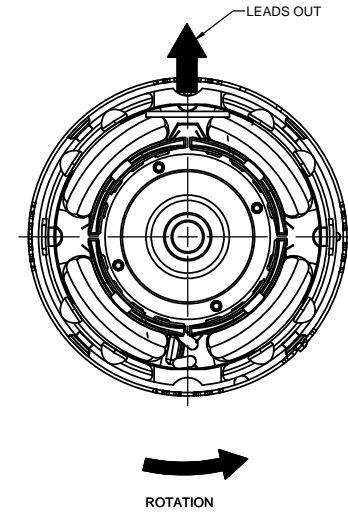
NOTES:

1. STAKE STATOR TO MAIN FRAME PER 88830264.
2. MAXIMUM TORQUE REQUIRED TO TURN MOTOR SHAFT IS 3/8 INCH-OUNCE.
3. MAKE-UP WASHERS ARE TO ADDED OR DELETED TO ACHIEVE REQUIRED ENDDPLAY.
4. OIL SLINGER MUST BE FLUSH WITH INSIDE EDGE OF EXTERNAL CAP.
5. LEAD RIP ON FASCO END MUST NOT EXTEND OUTSIDE OF MAIN FRAME.

FRONT END

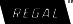


BACK END



PACKING SPECIFICATIONS

1. PACK 1 PER CONTAINER, 45 CONTAINERS PER LAYER, 6 LAYERS PER PALLET, 270 MAX. PER PALLET. PER 88834200.
2. CARTON LABELS MUST FACE ONE DIRECTION, TOWARD THE OPEN END OF THE PALLET, PER 88834408.

DRAWING REVISION AA	REVISION BY MLS	DATE 3/21/2017	TOLERANCES UNLESS OTHERWISE SPECIFIED: DEC. INCH mm ANGLE	DRAWN BY MLS	 Regal Beloit America, Inc.		
ECO ECO-0119917	APPROVED BY SED	DATE 3/21/2017	.X ±0.1 [±2.5] ±1° .XX ±0.01 [±0.25] .XXX ±0.005 [±0.127] .XXXX ±0.0005 [±0.0127]	DATE 3/21/2017			
ECO DESCRIPTION REVISED CORSET MATERIAL PER CUST. REQUEST.			REMOVE BURRS & BREAK SHARP EDGES: .003/.015 [0.076/.381] X 45° CORNER FILLETS: R.02 [S1]	APPROVED BY SED		DESCRIPTION MOTOR ASSY	
<small>COPYRIGHT REGAL BELOIT AMERICA, INC. ALL RIGHTS RESERVED. PROPRIETARY AND CONFIDENTIAL INFORMATION - THIS DOCUMENT IS THE PROPERTY OF REGAL BELOIT AMERICA, INC. FORMERLY AND CONTAINS OWNER'S PROPRIETARY INFORMATION. ANY PERSON, CORPORATION OR OTHER FIRM RECEIVING IT IS DEEMED, BY RECEIVING IT, TO AGREE THAT IT, AND/OR ANY PART OF IT, SHALL NOT BE DISCLOSED TO ANY PERSON, CORPORATION OR OTHER ENTITY, DUPLICATED, AND/OR USED, EXCEPT AS EXPRESSLY APPROVED IN WRITING IN ADVANCE BY OWNER. THIS DOCUMENT SHALL BE RETURNED TO OWNER UPON REQUEST. IT MAY BE SUBJECT TO CERTAIN RESTRICTIONS UNDER APPLICABLE EXPORT CONTROL LAWS AND REGULATIONS.</small>			MACHINED SURFACES: .125/ 3.2 INCH √ mm 3.2 mm SHOWN IN [BRACKETS]	DATE 3/21/2017		MATERIAL	PROCESS FINISH BLACK
			THIRD ANGLE PROJECTION	REFERENCE	SIZE C	DRAWING NUMBER 71731616	SHEET 2 OF 2