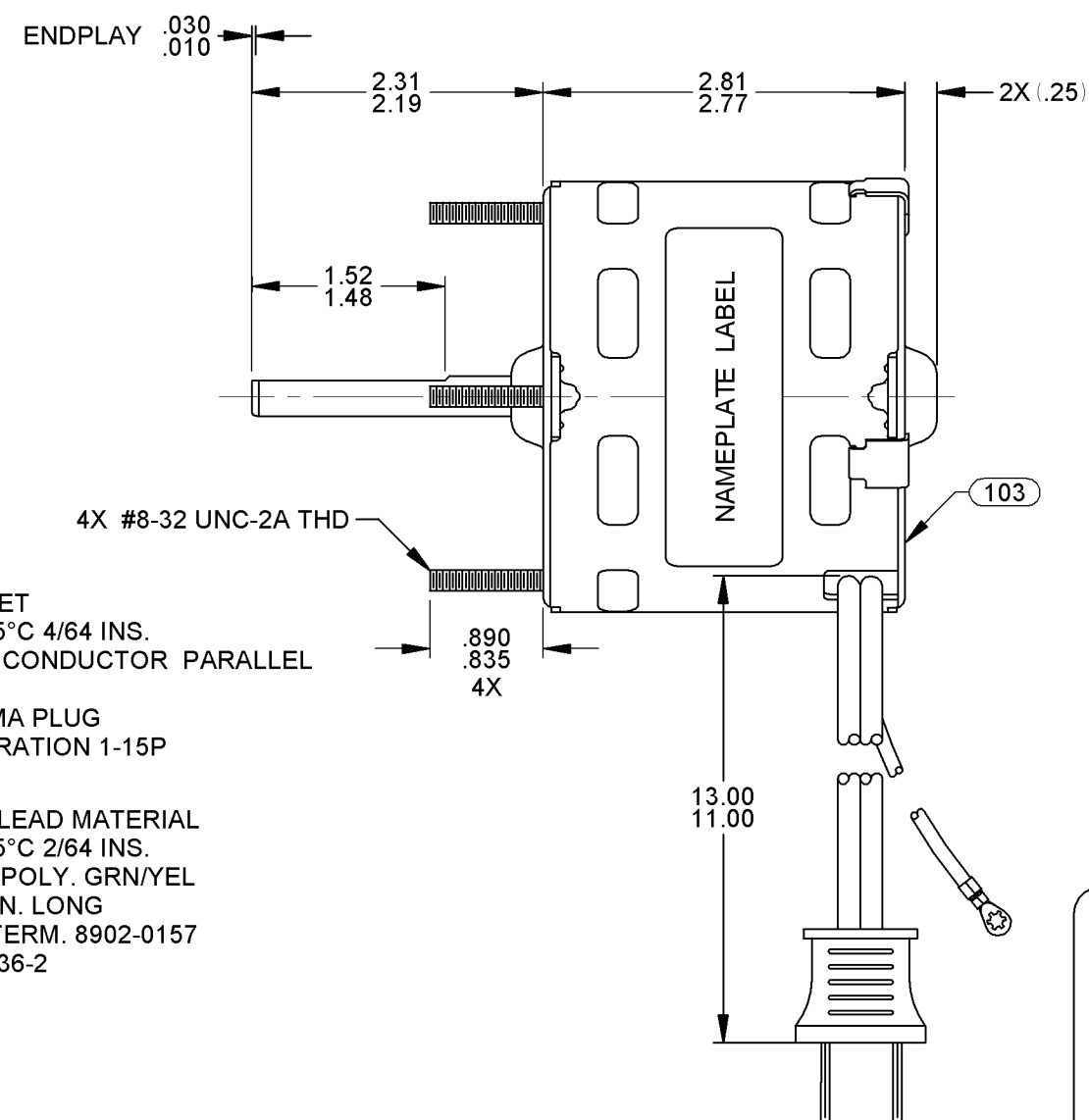
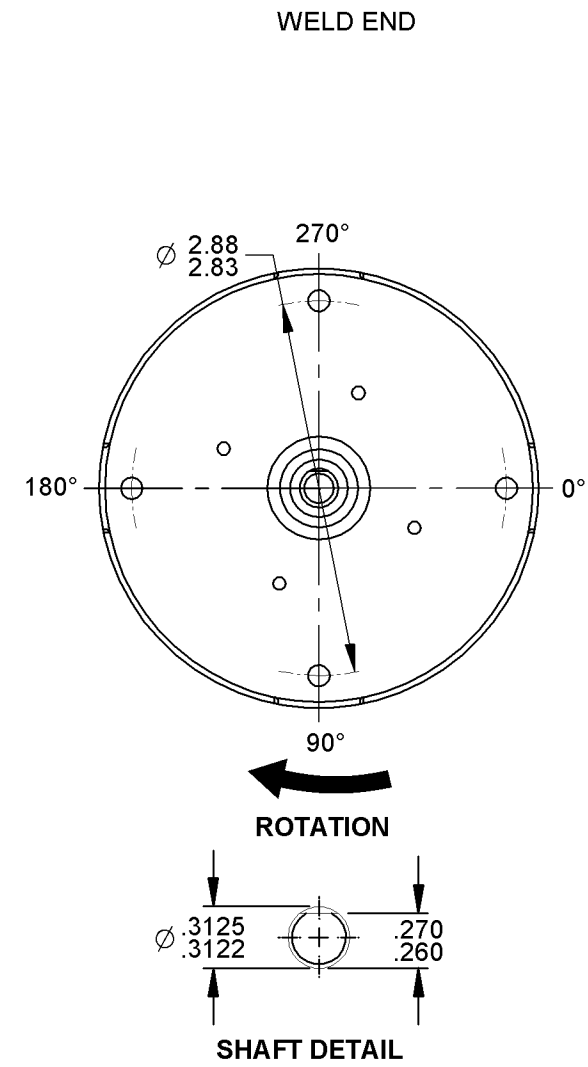


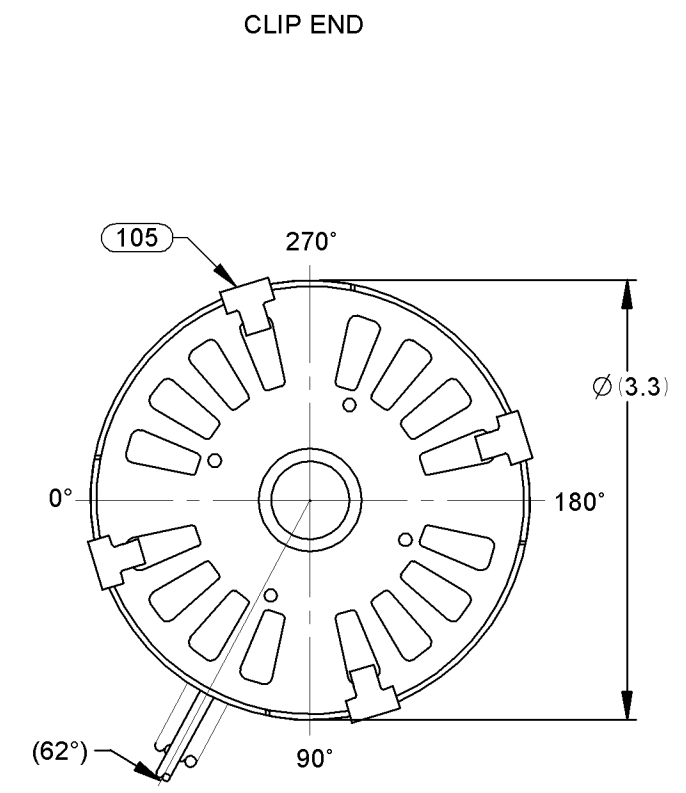
01	MOVE LEAD NOTES, CHANGE NAMEPLATE LABEL TO 0046-4072, MOVE WARNING LABEL TO N/P.	SDM 11/29/07	02	CHANGE N/P TO MATCH N/P LABEL LAYOUT.	SDM 12/22/09	03	CORRECTED AMPS ON NAMEPLATE	4001458 MLM 3/16/11	STANDARD TOLERANCES: ANGULAR +/- 1 DEGREE 2 PLACE DECIMAL +/- .01 3 PLACE DECIMAL +/- .005
----	--	--------------	----	---------------------------------------	--------------	----	-----------------------------	------------------------	---

ALL MATERIAL FURNISHED TO THIS DRAWING AND/OR APPLICABLE PURCHASE ORDER FOR THIS PART MUST COMPLY WITH THE LATEST REVISION OF THE EUROPEAN DIRECTIVES RoHS AND REACH.



CORDSET  
18 GA. 105°C 4/64 INS.  
SPT-3, (2) CONDUCTOR PARALLEL  
BLACK  
WITH NEMA PLUG  
CONFIGURATION 1-15P

GROUND LEAD MATERIAL  
18 GA. 125°C 2/64 INS.  
X-LINKED POLY. GRN/YEL  
8.00/6.00 IN. LONG  
W/ RING TERM. 8902-0157  
AMP 350436-2



0046-4072

0046-4282

**FASCO** Fasco Industries, Inc  
Motor Division

Assembled in Mexico  
No. 71731747 TYPE U73B1 AO LR6319  
115 V 50/60 Hz Class B  
0.6 A  
Model D1117  
Thermally Protected

**SAFETY WARNING**  
This Motor Must Be Grounded in Accordance With Local Or National Electrical Codes To Prevent Possible Injury Due To Electrical Shock

Max Amb: 40°C

- NOTES:  
1. NO PACKAGING TAPE OVER CARTON LABEL.

FRONT SHAFT POSITION	* TYPICAL PERFORMANCE AT 115 VOLTS 60 Hz.												CUSTOMER: FASCO DIST.	FASCO MOTORS GROUP AC MOTOR/BLOWER DIVISION									
HORIZONTAL 	MOTOR SPEED	IDLE			LOADED			LOCKED			BREAK	PART NUMBER: D1117	APPLICATION: BATH VENT							MOTOR WEIGHT: 3.13 LBS.	MOTOR TYPE	DRAWING NUMBER	
CUSTOMER APPROVAL:		R.P.M.	AMP.	WATT	IN.OZ.	R.P.M.	AMP.	WATT	IN.OZ.	AMP.	WATT	IN.OZ.			SHADED POLE						7173 1747		
SIGNED:		1750	.53	33	10.0	1590	.62	45	5.6	.88	53	12.8	ENVIRONMENT: DRY	FINISH COLOR: BLACK									
DATE:													DRAWN BY: ADAM T. MORITZ	DATE DRAWN: JUNE 7, 2005									
														B	LA	FR	A	S	C	E	B	A	REV. 03
														00	73	30	V	05	FL	5	3	0	

If Printed, this is an Uncontrolled Document.

61299553