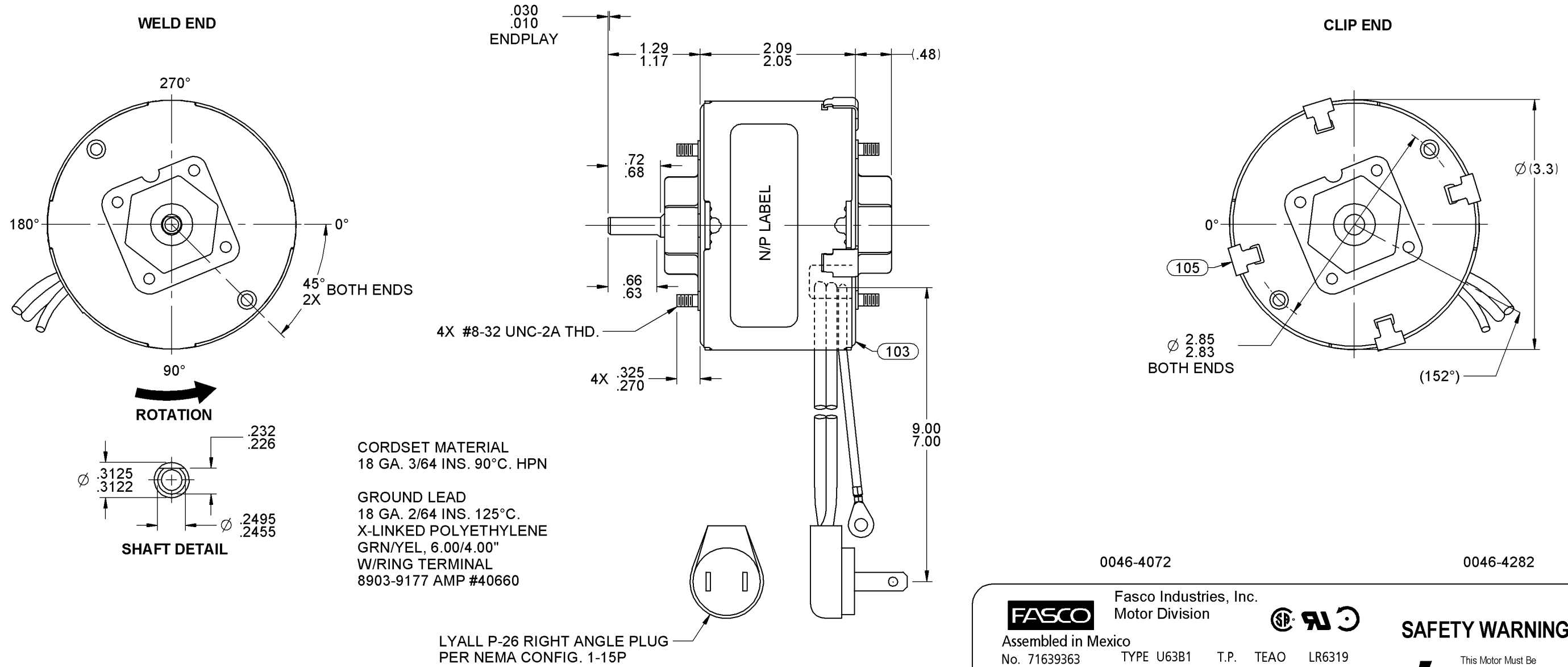


12	REVISED NAMEPLATE LABEL	SD 11/28/07	13	CHANGE N/P TO MATCH N/P LABEL LAYOUT.	SDM 12/17/09	14	UPDATED PACKING NOTES	4005409 SD 5/2/2012	STANDARD TOLERANCES: ANGULAR +/- 1 DEGREE 2 PLACE DECIMAL +/- .01 3 PLACE DECIMAL +/- .005
----	-------------------------	-------------	----	---------------------------------------	--------------	----	-----------------------	------------------------	---



CORDSET MATERIAL
18 GA. 3/64 INS. 90°C. HPN

GROUND LEAD
18 GA. 2/64 INS. 125°C.
X-LINKED POLYETHYLENE
GRN/YEL, 6.00/4.00"
W/RING TERMINAL
8903-9177 AMP #40660

LYALL P-26 RIGHT ANGLE PLUG
PER NEMA CONFIG. 1-15P

0046-4072
0046-4282

Fasco Industries, Inc.
Motor Division

Assembled in Mexico

No. 71639363	TYPE U63B1	T.P. TEAO	LR6319
115 V	60 Hz	Class B	
0.7 A	1550 RPM		1/100 HP
Model D1109			Max. Amb: 40°C

SAFETY WARNING

This Motor Must Be Grounded in Accordance With Local Or National Electrical Codes To Prevent Possible Injury Due To Electrical Shock

61299553

NOTES:
PACK 270 MOTORS MAX. PER PALLET.
NO PACKAGING TAPE OVER CARTON LABEL.

FRONT SHAFT POSITION	TYPICAL PERFORMANCE AT 115 VOLTS 60 Hz.											CUSTOMER: FASCO DIST.	FASCO FASCO MOTORS GROUP AC MOTOR/BLOWER DIVISION										
UP HORIZONTAL DOWN	MOTOR SPEED	IDLE			LOADED			LOCKED			BREAK	PART NUMBER: D1109	CONFIDENTIAL: DO NOT DUPLICATE OR DISCLOSE TO THIRD PARTIES WITHOUT WRITTEN PERMISSION OF FASCO MOTORS GROUP, AC MOTOR/BLOWER DIVISION.										
		R.P.M.	AMP.	WATT	IN.OZ.	R.P.M.	AMP.	WATT	IN.OZ.	AMP.	WATT	IN.OZ.	APPLICATION:	MOTOR TYPE				DRAWING NUMBER					
CUSTOMER APPROVAL: SIGNED: DATE:	1727	.56	40	8.7	1550	.61	50	5.1	.78	69	10.7	MOTOR WEIGHT: 2.07 LBS.	SHADED POLE				7163 9363						
												ENVIRONMENT: DRY	REV. 14										
													FINISH COLOR: BLACK	B	LA	FR	A	S	C	E	B	A	0
												DRAWN BY: S. DALTON	00	63	30	T	01	HW	5	3	0		
												DATE DRAWN: 7-6-2001											

If Printed, this is an Uncontrolled Document.