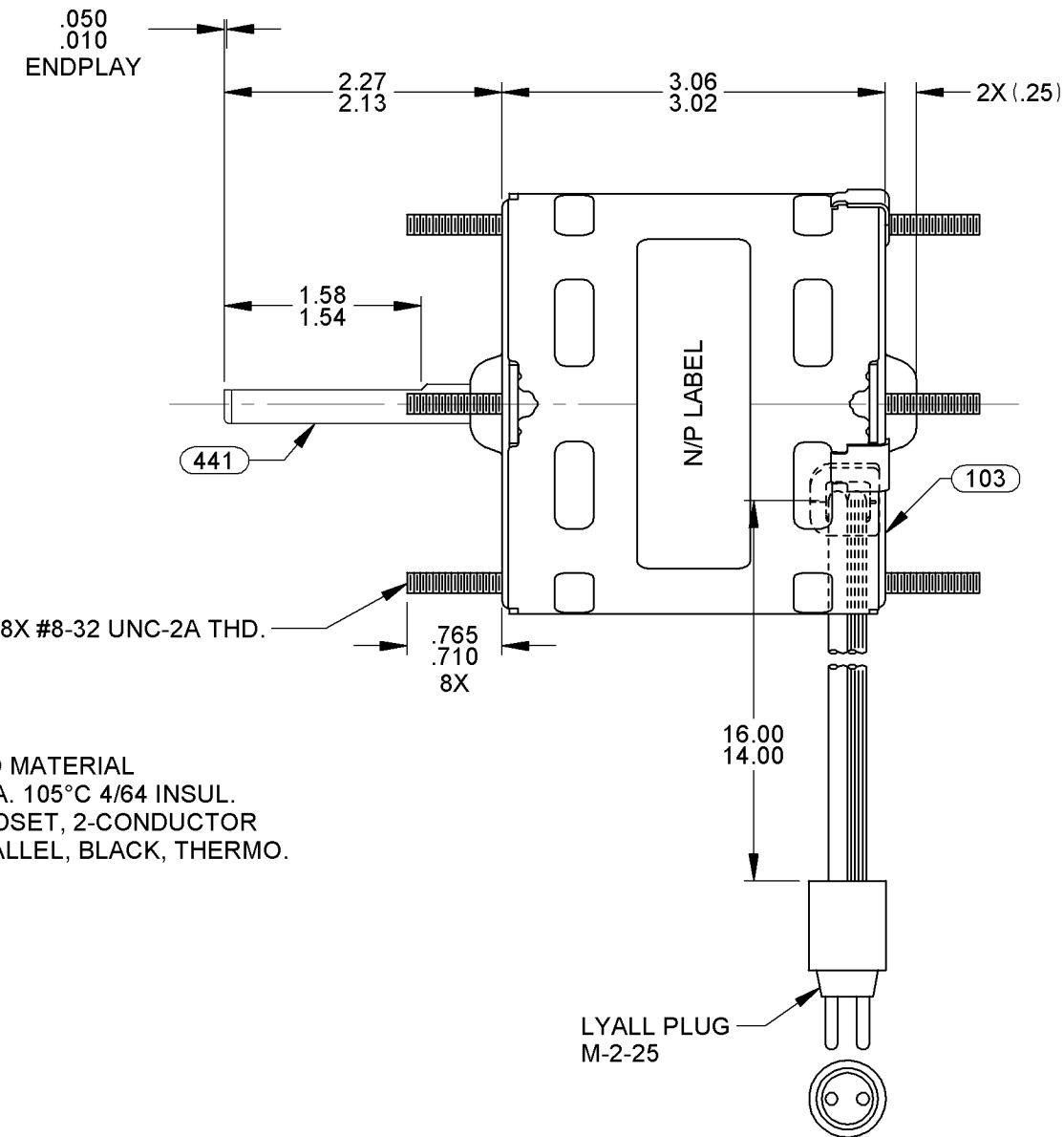
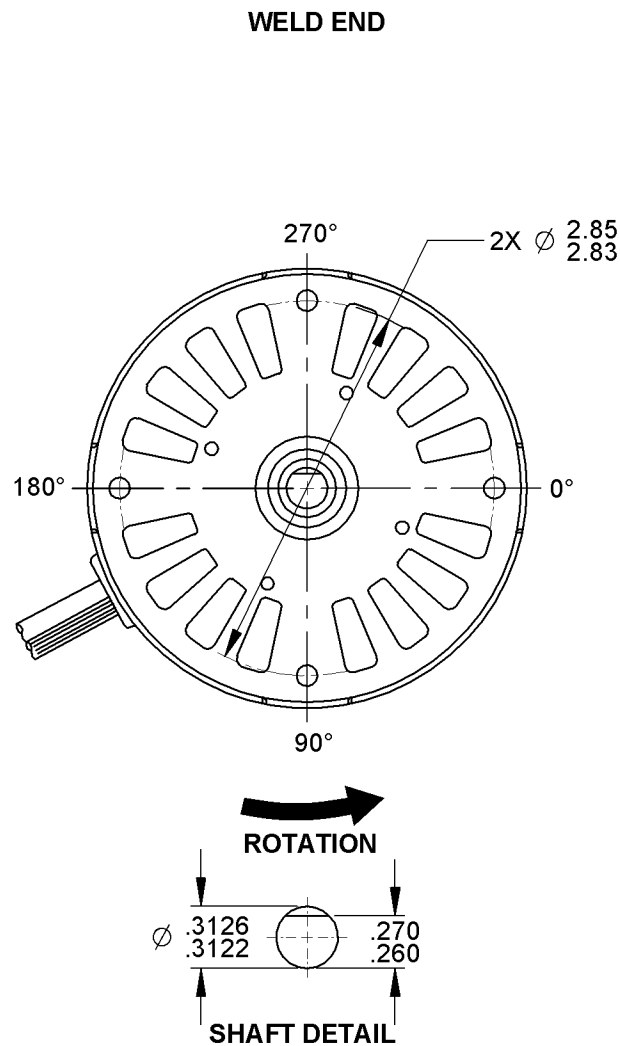
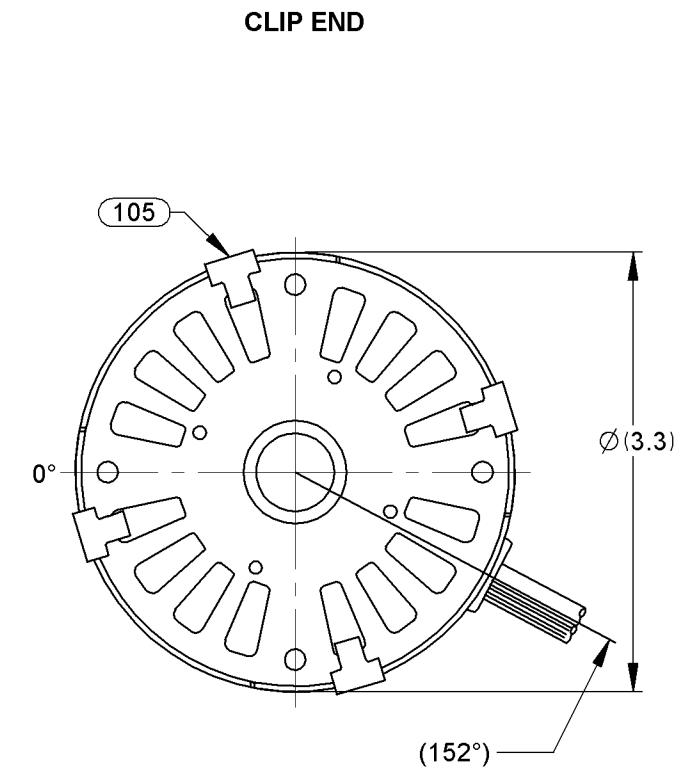


33	REMOVE BARCODE AND UPDATE NAMEPLATE	C437597 KSA 11/06/09	34	CHANGE AMPS ON NAMEPLATE. ADD PACK NOTE, PER NEW FASCO DIST STANDARDS.	C439944 KSA 08/25/10	35	SHOWED ALL SHAFT POSITIONS AND REVIEWED PACKING NOTES	4003955 MLM 12/7/11	STANDARD TOLERANCES: ANGULAR +/- 1 DEGREE 2 PLACE DECIMAL +/- .01 3 PLACE DECIMAL +/- .005		
----	-------------------------------------	-------------------------	----	--	-------------------------	----	---	------------------------	---	--	--



LEAD MATERIAL
18 GA. 105°C 4/64 INSUL.
CORDSET, 2-CONDUCTOR
PARALLEL, BLACK, THERMO.



0046-4072

0046-4282

FASCO	Fasco Industries, Inc Motor Division	SP	RU	SAFETY WARNING
Assembled In Mexico	No. 71634346	TYPE U63B1	T.P. AO	LR6319
208-230 V	1.15/1.35 A	60/50 Hz	Class B	1/20 HP
Model D1103		1500/1300 RPM		Max Amb:40°C

This Motor Must Be Grounded in Accordance With Local Or National Electrical Codes To Prevent Possible Injury Due To Electrical Shock

- NOTES:
1. MOTOR HAS LOW TEMPERATURE OIL.
2. NO PACKING TAPE OVER CARTON LABEL.
3. PACK 270 MOTORS MAX. PER PALLET.

FRONT SHAFT POSITION	TYPICAL PERFORMANCE AT 230 VOLTS 60 Hz.											CUSTOMER: FASCO DIST.	FASCO FASCO MOTORS GROUP AC MOTOR/BLOWER DIVISION									
HORIZONTAL UP DOWN	MOTOR SPEED	IDLE			LOADED			LOCKED			BREAK	PART NUMBER: D1103						CONFIDENTIAL: DO NOT DUPLICATE OR DISCLOSE TO THIRD PARTIES WITHOUT WRITTEN PERMISSION OF FASCO MOTORS GROUP, AC MOTOR/BLOWER DIVISION.				
		R.P.M.	AMP.	WATT	IN.OZ.	R.P.M.	AMP.	WATT	IN.OZ.	AMP.	WATT	IN.OZ.	APPLICATION: CONDENSOR COIL FAN	MOTOR TYPE								
CUSTOMER APPROVAL:												MOTOR WEIGHT: 3.16 LBS.	DRAWING NUMBER									
SIGNED:												ENVIRONMENT: DAMP	SHADED POLE									
DATE:												FINISH COLOR: BLACK	7163 4346									
												DRAWN BY: S PHINNEY	B	LA	FR	A	S	C	E	B	A	REV.
												DATE DRAWN: 02-12-2002	00	63	30	V	05	CN	5	3	0	35