

NOTES

1. THRU AIR SPACING BETWEEN WIRE AND METAL .094 MIN.
2. TIE BOLT TORQUE TOLERANCE 7 - 12 IN. LBS.
3. FOR WASHER SET-UP, SEE CHART C600 0279, DETAIL "H".
5. SEAL LEAD EXIT WITH SEALANT, 9731 6297.
6. SALES TO SPECIFY ON P.O. WHICH PACK TO USE.

ECO	REV.	DATE	SPEC/CHECK
639419	7	4-8-09	LDC/LDC
641319	8	6-15-10	MKR/MKR
627437	5	12-28-00	LDC/XXX
633034	6	5-21-04	GAE/RWS

- A. SEE PACKAGING MANUAL PAGE 2 FOR PACKAGING PROCEDURES.
- 1 MOTOR/CARTON;
 - 32 MOTORS/LAYER;
 - 6 LAYERS/PALLET;
 - 192 MOTORS/PALLET.
- B. SEE DRAWING 8785 6079 SH. 1 FOR PALLET LAYOUT.
- C. CENTER LABEL, 6119 6949, ON END OF CARTON.
- D. PLACE PAMPHLET, 6122 4579, IN CARTON WITH MOTOR.

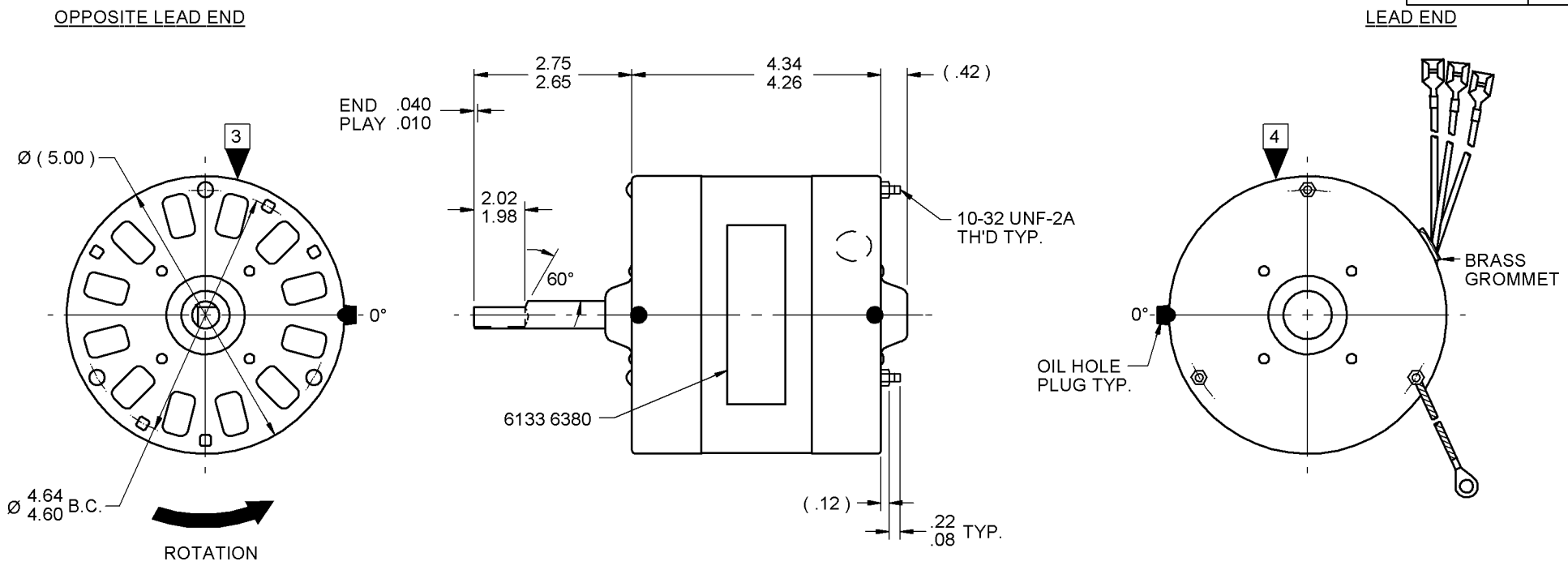
71xx xxxx,R

71xx xxxxC

If Printed, this is an Uncontrolled Document

PRODUCTION TEST AT IDLE 230 VOLTS 60 HZ		MOTOR SPEED	PERFORMANCE TEST 230 VOLTS 60 HZ 1 PH 1/4 HP CAP. 5 MFD 370 VAC										
AMP	WATT		IDLE			LOADED				LOCKED			BREAK
			RPM	AMP	WATT	OZ/IN	RPM	AMP	WATT	OZ/IN	AMP	WATT	OZ/IN
.65 — .53	113.3 — 92.7	HIGH	1194	.59	103	308	1075	1.77	376	95	3.54	660	357
HI-POT TEST 2000 VOLTS													
MAX LEAKAGE CURRENT 5 mA													

7186 0022 MA



LEAD DATA: 18 GA. 4/64" INS. 105° C THERMO. RED AND BLACK LINE LEADS AND YELLOW CAP. LEAD 38.00"/36.00" LONG WITH 1/4" IN-LINE Q.C. TERMINALS.

GROUND LEAD DATA: 18 GA. 2/64" INS. 105° C THERMO. GRN/YEL 10.00"/9.00" LONG WITH A 1/4" SMOOTH RING TERMINAL.

7186 0022 = MADE IN U.S.A.
7186 0022R = ASSEMBLED IN MEXICO

FASCO FASCO INDUSTRIES INC. MOTOR DIVISION THERMALLY PROTECTED MODEL D1091

V. 208/230 HZ 60 PH 1 ROT → CONNECTION DIAGRAM
 HP 1/4 INS CL B CAP 5 MFD 370 VAC YELLOW — CAPACITOR
 AMP 2.2 40° C AMB NO. 7186-0022 RED — LINE
 RPM 1075 AO TYPE U186B1 BLACK — LINE

SAFETY WARNING
 THIS MOTOR MUST BE GROUNDED IN ACCORDANCE WITH LOCAL OR NATIONAL ELECTRICAL CODES TO PREVENT POSSIBLE INJURY DUE TO ELECTRICAL SHOCK

DATE/BAR CODE AREA PER 8882 6003

6133 6380,R REV. 4

LOCATE ϕ OF NAMEPLATE ON ϕ OF STATOR TO READ RIGHT FROM LEAD END OF MOTOR CENTER AT 0°.
 SIZE 3.50 X 1.00

SPECIAL INSTRUCTIONS: SHAFT IS BONDERIZED. SEALED LEAD EXIT. PAMPHLET PACKED WITH MOTOR.			
MOTORS PACKED MAX. PER SKID: ___ PALLET PACK, 192 CARTON PACK.			
CUSTOMER: FASCO DISTRIBUTING CO.		PROPRIETARY: DO NOT DUPLICATE OR DISCLOSE TO THIRD PARTIES WITHOUT WRITTEN PERMISSION OF FASCO IND. INC., ELDON MO.	
PART NUMBER: D1091		FASCO INDUSTRIES, INC. MOTOR DIVISION ELDON PLANT	
APPLICATION: DIST. SALES	MOTOR TYPE	MOTOR NUMBER	REV.
FINISH COLOR: GRAY	P.S.C.	7186 0022	8
MOTOR WEIGHT: 12.25 LBS.		R	
ENVIRONMENT: DAMP			
INSULATION CLASS: B			
	B LA FR A S C E B A		
	00 86 10 V 08 AA 5 7 0		