

- NOTES
1. THRU AIR SPACING BETWEEN WIRE AND METAL .094 MIN.
  2. TIE BOLT TORQUE TOLERANCE 7-12 IN. LBS.
  3. FOR WASHER SET-UP, SEE CHART C600 0279, DETAIL "A".
  4. REMOVE PAPER TUBES AND ASSEMBLE LEADS TO TERMINAL HOUSING AS SHOWN.
  5. SALES TO SPECIFY ON P.O. WHICH PACK TO USE.

ECO	REV.	DATE	SPEC/CHECK
642230	8	08-01-11	GAE/GAE
635670	5	02-14-06	GAE/GAE
638356	6	07-08-08	GAE/GAE
639979	7	06-22-09	GAE/GAE

A. SEE PACKAGING MANUAL PAGE 2 FOR PACKAGING PROCEDURES.

1 MOTOR/CARTON;  
16 MOTORS/LAYER;  
6 LAYERS/PALLET;  
96 MOTORS/PALLET.

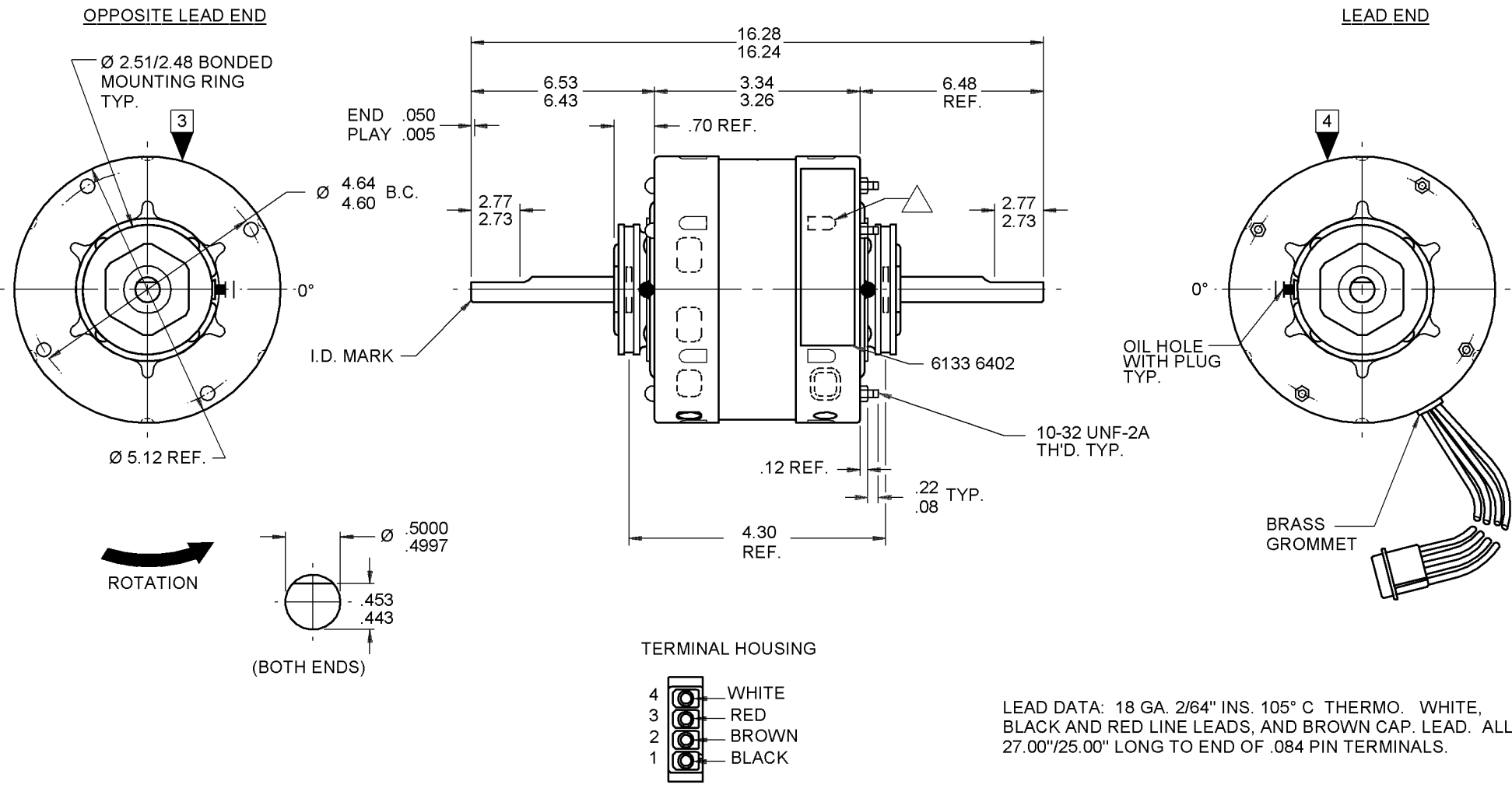
B. SEE DRAWING 8785 6079 SH. 1 FOR PALLET LAYOUT.  
C. CENTER LABEL, 6119 6554, ON END OF CARTON.  
D. PLACE PAMPHLET, 6122 4579, IN CARTON WITH MOTOR.

71x xxx,R  
71x xxxC  
71x xxxZ

If Printed, this is an Uncontrolled Document

PRODUCTION TEST AT IDLE 277 VOLTS 60 HZ		MOTOR SPEED	PERFORMANCE TEST 277 VOLTS 60 HZ 1 PH 1/12 HP CAP. 5 MFD 370 VAC										
AMP	WATT		IDLE			LOADED				LOCKED			BREAK
			RPM	AMP	WATT	OZ/IN	RPM	AMP	WATT	OZ/IN	AMP	WATT	OZ/IN
.39 — .32	60.5 — 49.5	HIGH	1786	.35	55	70	1625	.56	140	31	.97	271	89
.15 — .13	29.7 — 24.3	LOW	1771	.14	27	22	1625	.19	52	11	.37	98	31
HI-POT TEST 2000 VOLTS													
MAX LEAKAGE CURRENT 5 mA													

7184 0014 MA



**FASCO** FASCO INDUSTRIES, INC. MOTOR DIVISION ASSEMBLED IN MEXICO

MODEL **D1086**

V. 277 HZ 60 PH 1 AO ROT →  
HP 1/12 AMP .6 CAP 5 MFD 370 VAC  
RPM 1625 (2 SPD) INS CL B NO. 7184-0014  
TYPE U184B1 40° C AMB

THERMALLY PROTECTED CONNECTION DIAGRAM  
BRN — CAPACITOR  
WHT — LINE  
BLK-HI — LINE  
RED-LO — LINE

SAFETY WARNING  
THIS MOTOR MUST BE GROUNDED IN ACCORDANCE WITH LOCAL OR NATIONAL ELECTRICAL CODES TO PREVENT POSSIBLE INJURY DUE TO ELECTRICAL SHOCK

DATE/BAR CODE AREA PER 8882 6003

6133 6402,R REV. 3

SPECIAL INSTRUCTIONS: FLATS TO BE PARALLEL WITHIN ± 20°. SHAFT IS BONDERIZED.  
ROTOR IS RUSTPROOFED. △ LANCE MUST BE COMPLETELY COVERED BY NAMEPLATE.  
PAMPHLET PACKED WITH MOTOR.

MOTORS PACKED MAX. PER SKID: \_\_\_ PALLET PACK, 96 CARTON PACK, \_\_\_ TRAY PACK.

CUSTOMER: FASCO DISTRIBUTING CO. PROPRIETARY: DO NOT DUPLICATE OR DISCLOSE TO THIRD PARTIES WITHOUT WRITTEN PERMISSION OF FASCO IND. INC., ELDON MO.

FASCO INDUSTRIES, INC. MOTOR DIVISION ELDON PLANT

PART NUMBER: D1086

APPLICATION: DIST. SALES MOTOR TYPE P.S.C. MOTOR NUMBER 7184 0014 REV. 8

FINISH COLOR: GRAY

MOTOR WEIGHT: 7.63 LBS.

ENVIRONMENT: WET

INSULATION CLASS: B

B	LA	FR	A	S	C	E	B	A
00	84	11	V	04	AB	6	8	0

LOCATE EDGE OF NAMEPLATE .05 FROM EDGE OF LEAD END COVER TO READ RIGHT FROM LEAD END OF MOTOR. CENTER AT 20° CWLE.  
SIZE 3.50 X 1.00