

NOTES

1. STATOR LOCATION DIMENSION IS FROM SLEEVE EDGE (OPPOSITE LEAD END) TO STATOR STEEL 1.28/1.26.
2. STATOR STACK 1 1/2".
3. THRU AIR SPACING BETWEEN WIRE AND METAL .094 MIN.
4. TIE BOLT TORQUE TOLERANCE 13 - 17 IN. LBS.
5. FOR WASHER SET-UP, SEE CHART C600 0279, DETAIL A.
6. SALES TO SPECIFY ON P.O. WHICH PACK TO USE.

ECO	REV.	DATE	SPEC/CHECK
631933	4	10-16-03	DJK/XXX
638757	5	10-27-08	GAE/GAE
639661	6	5-12-09	MKR/MKR
642621	7	12-1-11	LDC/LDC

A. SEE PACKAGING MANUAL PAGE 19 FOR PACKAGING PROCEDURES.

1 MOTOR/CARTON;
12 MOTORS/LAYER;
3 LAYERS/PALLET;
36 MOTORS/PALLET.

B. SEE DRAWING 8785 6079 SH. 3 FOR PALLET LAYOUT.

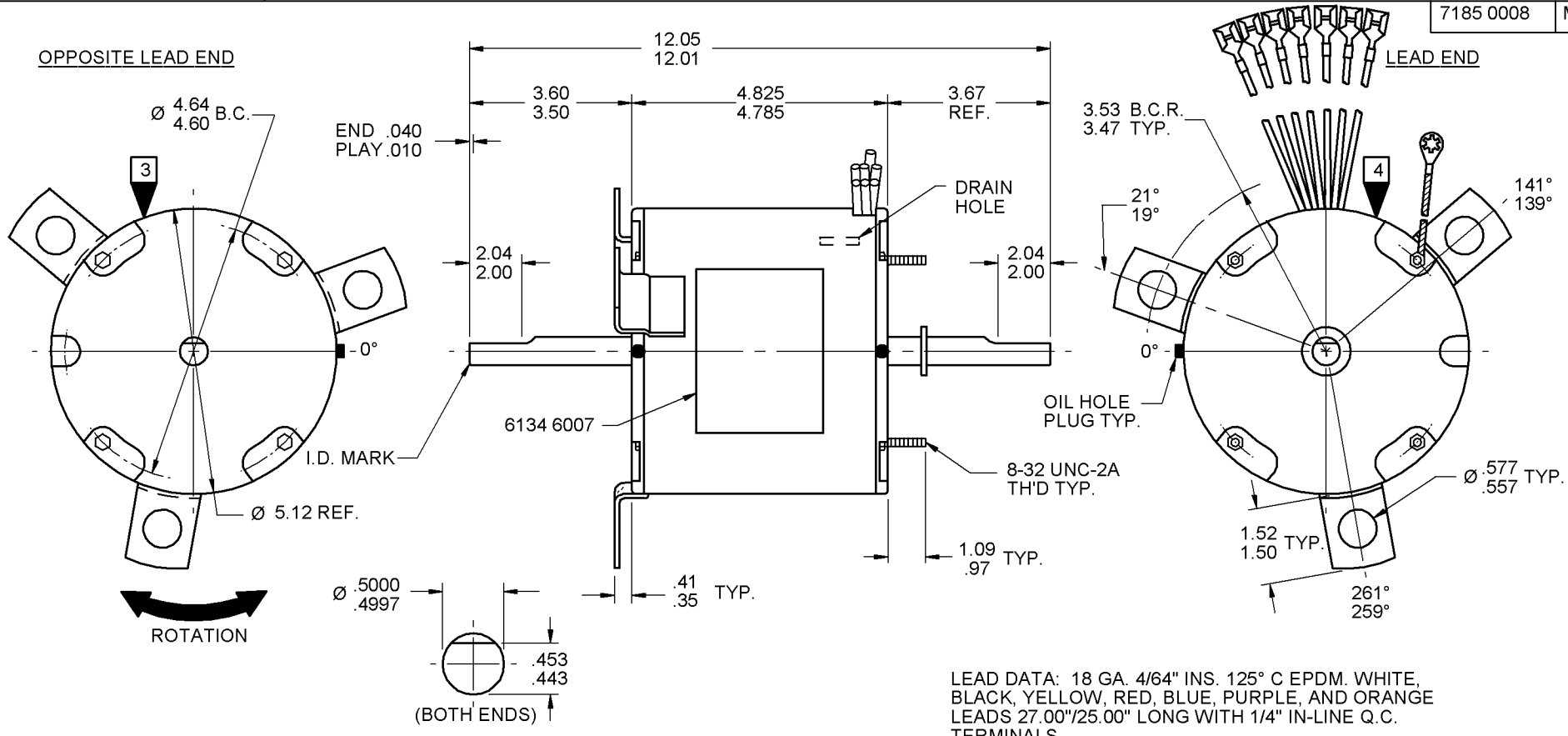
C. CENTER LABEL, 6119 6792, ON END OF CARTON.

D. PLACE PAMPHLET, 6122 4579, IN CARTON WITH MOTOR.

If Printed, this is an Uncontrolled Document

PRODUCTION TEST AT IDLE 115 VOLTS 60 HZ		MOTOR SPEED	PERFORMANCE TEST 115 VOLTS 60 HZ 1 PH 1/6 HP CAP. 10 MFD 370 VAC										
AMP	WATT		IDLE			LOADED				LOCKED			BREAK
			RPM	AMP	WATT	OZ/IN	RPM	AMP	WATT	OZ/IN	AMP	WATT	OZ/IN
.65 — .53	74.8 — 61.2	HIGH	1792	.59	68	148.0	1625	2.51	280	37.0	4.95	494	168.0
.52 — .42	58.3 — 47.7	MED.	1789	.47	53	106.0	1625	1.83	203	27.0	3.68	347	118.0
.41 — .33	46.2 — 37.8	LOW	1790	.37	42	81.0	1625	1.41	153	20.0	2.93	263	92.0

HI-POT TEST 2000 VOLTS
MAX LEAKAGE CURRENT 5 mA



LEAD DATA: 18 GA. 4/64" INS. 125° C EPDM. WHITE, BLACK, YELLOW, RED, BLUE, PURPLE, AND ORANGE LEADS 27.00"/25.00" LONG WITH 1/4" IN-LINE Q.C. TERMINALS.

GROUND DATA: 16 GA. 2/64" INS. 105° C THERMO. GRN/YEL 13.00"/12.00" LONG WITH A # 10 SERRATED RING TERMINAL.

FASCO MOTOR DIVISION ASSEMBLED IN MEXICO

V. 115 HZ 60 PH 1 ROT ←

HP 1/6-1/8-1/10 CAP 10 MFD 370 VAC

AMP 2.4-1.9-1.5 TEAO NO. 7185-0008

RPM 1625 (3 SPD) TYPE U185B1

INS CL B 40° C AMB

TERNALLY PROTECTED

MODEL D1081

CONNECTION DIAGRAM

CCWLE CWLE

PURP → ORG →

BLUE → PURP →

ORG → CAP BLUE → CAP

WHT → LINE WHT → LINE

BLK-HI → BLK-HI →

YEL-MED → LINE YEL-MED → LINE

RED-LO → RED-LO →

SAFETY WARNING
THIS MOTOR MUST BE GROUNDED IN ACCORDANCE WITH LOCAL OR NATIONAL ELECTRICAL CODES TO PREVENT POSSIBLE INJURY DUE TO ELECTRICAL SHOCK

DATE/BAR CODE AREA PER 8882 6003

SPECIAL INSTRUCTIONS: SHAFT IS BONDERIZED. ROTOR IS RUSTPROOFED. FLATS TO BE PARALLEL WITHIN ± 20°. PAMPHLET PACKED WITH MOTOR.																											
MOTORS PACKED MAX. PER SKID: ___ PALLET PACK, 36 CARTON PACK, ___ TRAY PACK.																											
CUSTOMER: FASCO DISTRIBUTING CO.					PROPRIETARY: DO NOT DUPLICATE OR DISCLOSE TO THIRD PARTIES WITHOUT WRITTEN PERMISSION OF FASCO IND. INC., ELDON MO.																						
PART NUMBER: D1081					FASCO INDUSTRIES, INC. MOTOR DIVISION ELDON PLANT																						
APPLICATION: DIST. SALES					MOTOR TYPE																						
FINISH COLOR: GRAY					P.S.C.																						
MOTOR WEIGHT: 11.75 LBS.					MOTOR NUMBER 7185 0008																						
ENVIRONMENT: WET					REV. 7																						
INSULATION CLASS: B					<table border="1"> <tr> <td>B</td><td>LA</td><td>FR</td><td>A</td><td>S</td><td>C</td><td>E</td><td>B</td><td>A</td> </tr> <tr> <td>00</td><td>85</td><td>33</td><td>T</td><td>06</td><td>AE</td><td>7</td><td>7</td><td>0</td> </tr> </table>					B	LA	FR	A	S	C	E	B	A	00	85	33	T	06	AE	7	7	0
B	LA	FR	A	S	C	E	B	A																			
00	85	33	T	06	AE	7	7	0																			

6134 6007,R REV. 4

LOCATE ϕ OF NAMEPLATE ON ϕ OF SLEEVE TO READ RIGHT FROM LEAD END OF MOTOR CENTER AT 0°.

SIZE 3.50 X 2.00

8669 6635 1