

- NOTES
1. STATOR LOCATION DIMENSION IS FROM SLEEVE EDGE (OPPOSITE LEAD END) TO STATOR STEEL 1.11/1.09.
 2. STATOR STACK 1 3/4".
 3. THRU AIR SPACING BETWEEN WIRE AND METAL .063 MIN.
 4. TIE BOLT TORQUE TOLERANCE 13-17 IN. LBS.
 5. ASSEMBLE SPRING, 0051 1620, IN OPP. LEAD END END SHIELD. ASSEMBLE BEARING SPACER, 0006 1226, IN OPPOSITE END SHIELD.
 6. SALES TO SPECIFY ON P.O. WHICH PACK TO USE.

ECO	REV.	DATE	SPEC/CHECK
630895	4	3-26-03	LDC/LDC
638435	5	7-25-08	LDC/LDC
639240	6	3-19-09	MKR/MKR

71x xxxx,M

A. SEE PACKAGING MANUAL PAGE 25 FOR PACKAGING PROCEDURES.

1 MOTOR/CARTON;
12 MOTORS/LAYER;
3 LAYERS/PALLET;
36 MOTORS/PALLET.

B. SEE DRAWING 8785 6079 SH. 6 FOR PALLET LAYOUT.

C. CENTER LABEL, 6119 6780, ON END OF CARTON.

D. PLACE 2 MOTOR SUPPORT FILLERS, 8662 6427, OVER SHAFT END OF MOTOR ONLY.

E. PLACE PAMPHLET, 6122 4579, IN CARTON WITH MOTOR.

71x xxxxC

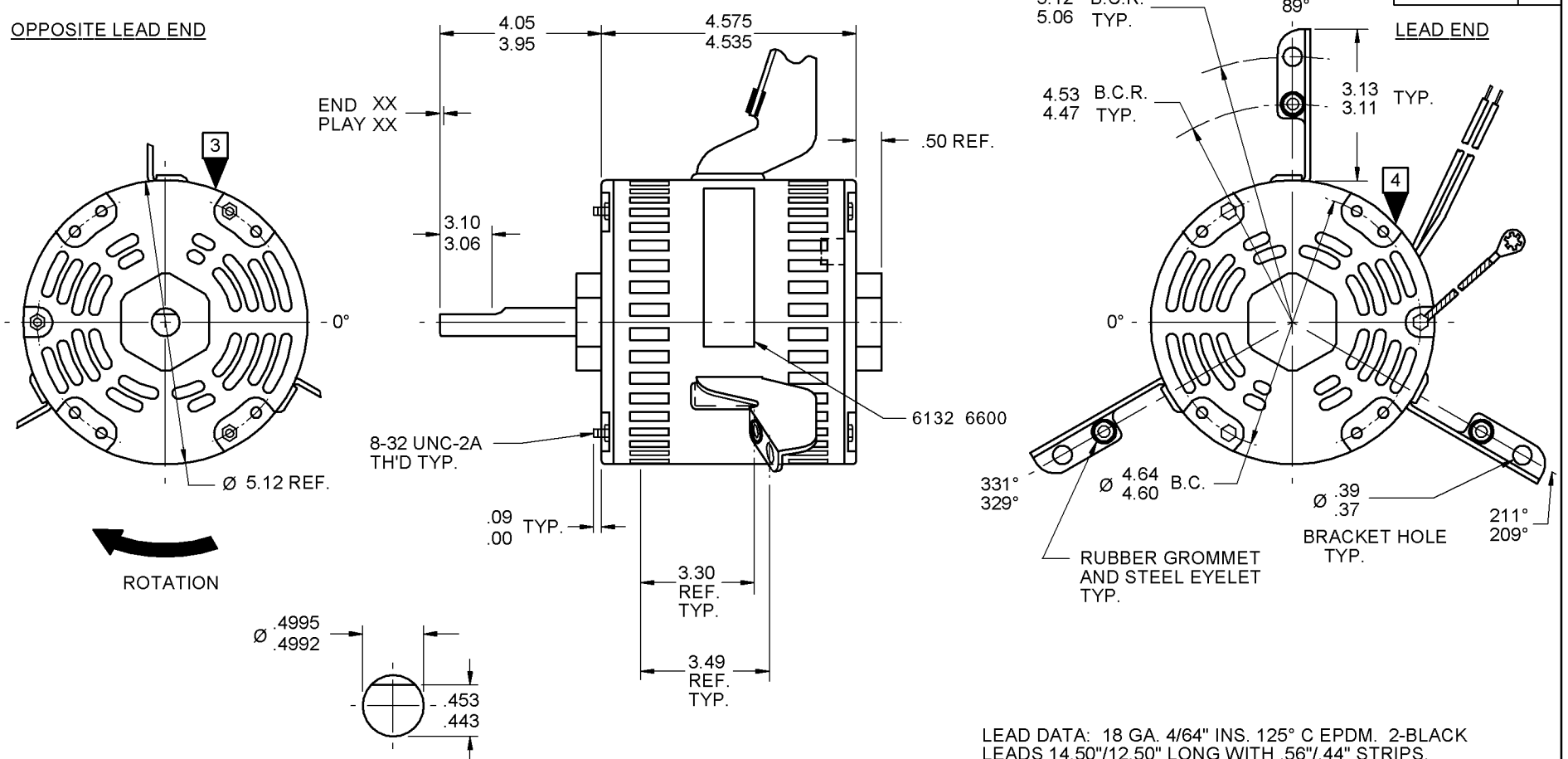
71x xxxxZ

If Printed, this is an Uncontrolled Document.

PRODUCTION TEST AT IDLE 115 VOLTS 60 HZ		MOTOR SPEED	PERFORMANCE TEST 115 VOLTS 60 HZ 1 PH 1/6 HP											
AMP	WATT		IDLE			LOADED				LOCKED			BREAK	
			RPM	AMP	WATT	OZ/IN	RPM	AMP	WATT	OZ/IN	AMP	WATT	OZ/IN	
8.03	— 6.57	399.3 — 326.7	HIGH	1181	7.3	363	244	1050	8.2	545	84	10.9	664	273

HI-POT TEST 2000 VOLTS
MAX LEAKAGE CURRENT 5 mA

OPPOSITE LEAD END



LEAD DATA: 18 GA. 4/64" INS. 125° C EPDM. 2-BLACK LEADS 14.50"/12.50" LONG WITH .56"/.44" STRIPS.

GROUND DATA: 18 GA. 2/64" INS. 105° C THERMO. GRN/YEL 7.00"/6.00" LONG WITH A #10 SERRATED RING TERMINAL.

7152 0114 = MADE IN U.S.A.
7152 0114M = ASSEMBLED IN MEXICO

FASCO FASCO INDUSTRIES, INC. MOTOR DIVISION THERMALLY PROTECTED

V. 115 HZ 60 AO ROT
HP 1/6 PH 1 40° C AMB TYPE U52B1
AMP 7.9 INS CL B NO. 7152-0114
RPM 1050 SHIELDED BALL BEARING

MODEL D1080

SAFETY WARNING
THIS MOTOR MUST BE GROUNDED IN ACCORDANCE WITH LOCAL OR NATIONAL ELECTRICAL CODES TO PREVENT POSSIBLE INJURY DUE TO ELECTRICAL SHOCK

DATE/BAR CODE AREA PER 8882 6003

6132 6600,M REV. 2

LOCATE ϕ OF NAMEPLATE ON ϕ OF SLEEVE TO READ RIGHT FROM LEAD END OF MOTOR CENTER AT 30° CWL.

SIZE 3.50 X 1.00

SPECIAL INSTRUCTIONS: SHAFT IS BONDERIZED. PAMPHLET PACKED WITH MOTOR.	
MOTORS PACKED MAX. PER SKID: _____ PALLET PACK, 36 CARTON PACK.	
CUSTOMER: FASCO DISTRIBUTING CO.	PROPRIETARY: DO NOT DUPLICATE OR DISCLOSE TO THIRD PARTIES WITHOUT WRITTEN PERMISSION OF FASCO IND. INC., ELDON MO.
PART NUMBER: D1080	FASCO INDUSTRIES, INC. MOTOR DIVISION ELDON PLANT
APPLICATION: DIST. SALES FINISH COLOR: GRAY MOTOR WEIGHT: 10.125 LBS. ENVIRONMENT: DRY INSULATION CLASS: B	MOTOR TYPE SHADED POLE MOTOR NUMBER 7152 0114 M REV. 6
	B LA FR A S C E B A 00 52 33 V 07 AD 5 0 0