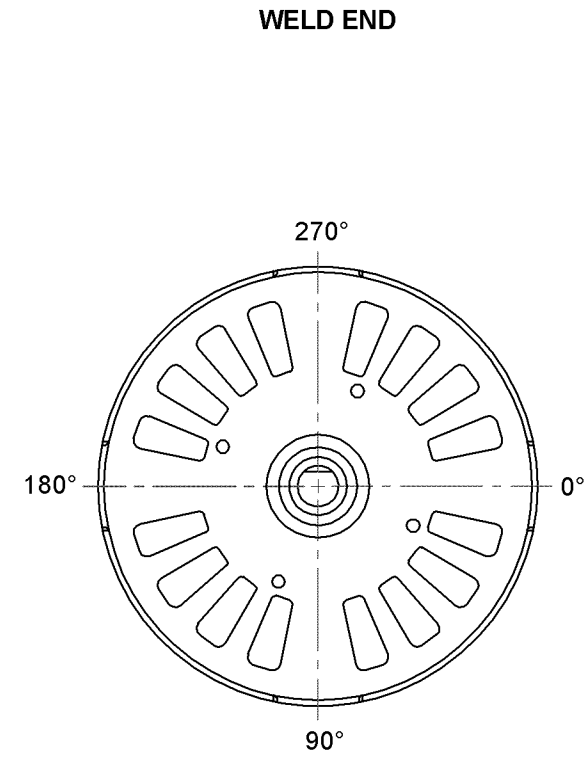
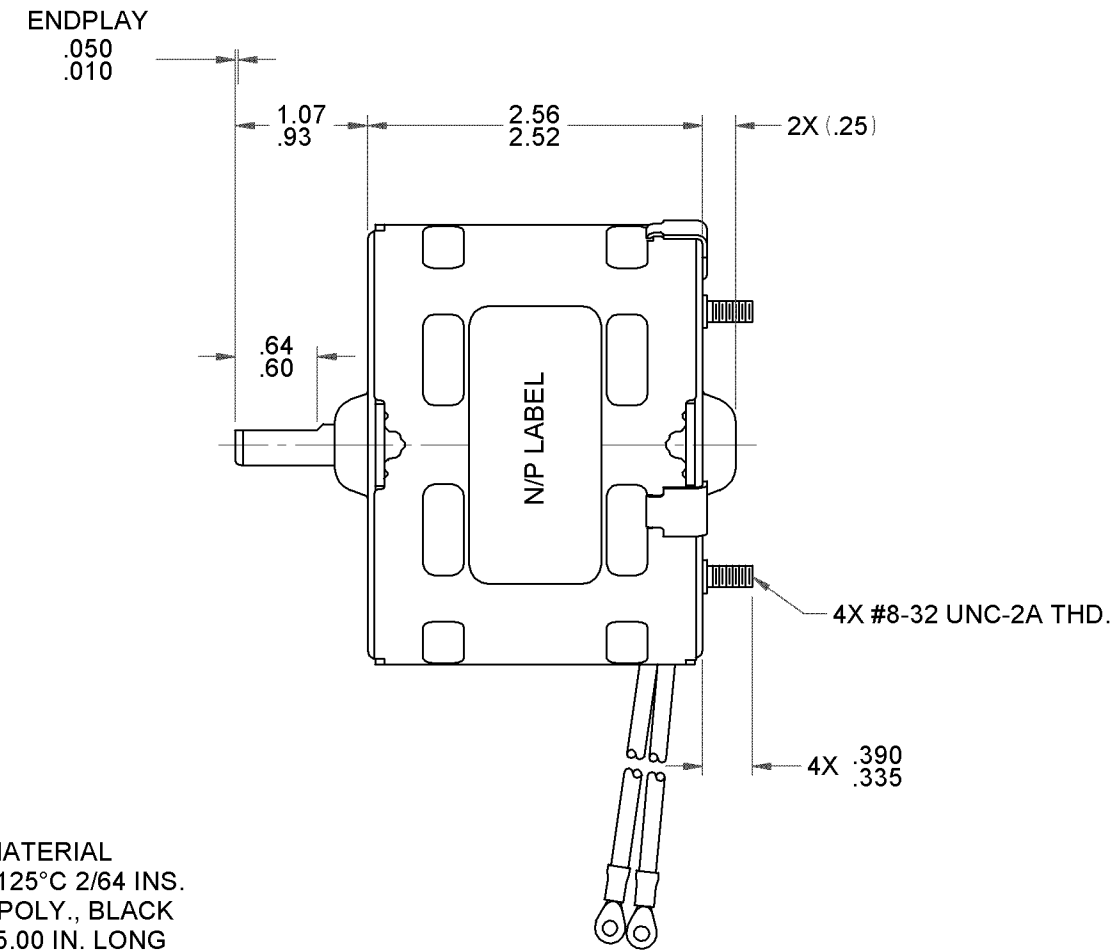
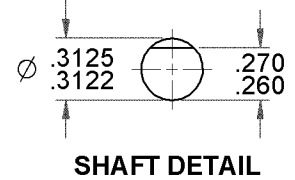


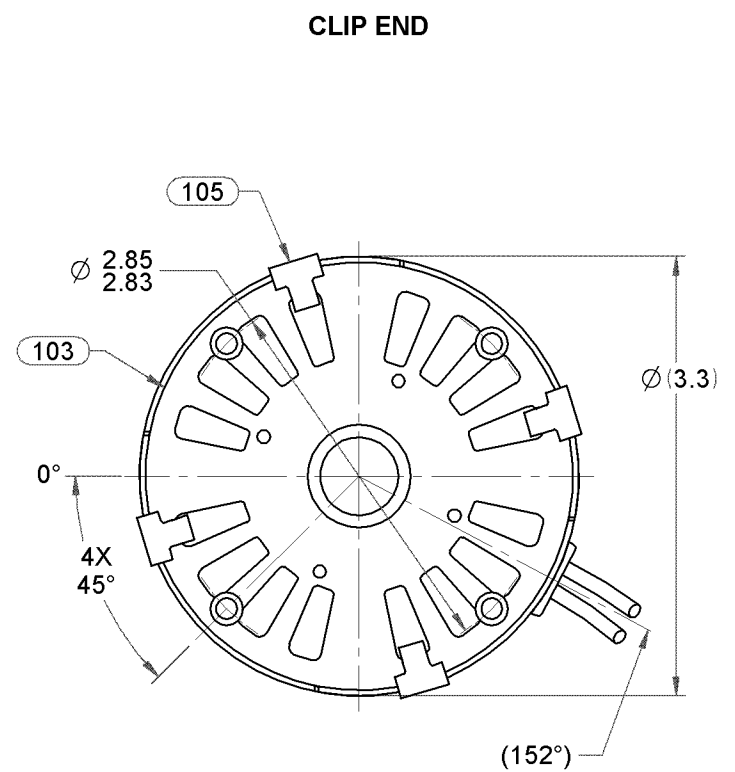
07	REVISED TO NEW N/P FORMAT	01/23/08	08	REMOVE BAR CODE FROM NAMEPLATE.	SDM 08/09/10	09	REVISED HP ON LABEL	4011068 SD 12/19/2013	STANDARD TOLERANCES: ANGULAR +/- 1 DEGREE 2 PLACE DECIMAL +/- .01 3 PLACE DECIMAL +/- .005
----	---------------------------	----------	----	---------------------------------	--------------	----	---------------------	--------------------------	---



ROTATION



LEAD MATERIAL
18 GA. 125°C 2/64 INS.
X-LINK POLY., BLACK
17.00/15.00 IN. LONG
W/RING TERM. 8902-0155
AMP# 2-32949-1



0046-4072

0046-4282

FASCO Fasco Industries, Inc. Motor Division		SAFETY WARNING
Assembled In Mexico		This Motor Must Be Grounded in Accordance With Local Or National Electrical Codes To Prevent Possible Injury Due To Electrical Shock
No. 71730291	TYPE U73B1 T.P. AO LR6319	
208-240 V	60 Hz Class B	
0.5 A Model D107	600 RPM 1/160-1/120 HP Oil with SAE 20	
Max Amb: 40°C		

- NOTES:
1. PACK 270 MOTORS MAX PER PALLET.
2. NO PACKAGING TAPE OVER CARTON LABEL.

FRONT SHAFT POSITION	* TYPICAL PERFORMANCE AT 208-240 VOLTS 60 Hz.												CUSTOMER: FASCO DIST.	FASCO FASCO MOTORS GROUP AC MOTOR/BLOWER DIVISION									
HORIZONTAL 	MOTOR SPEED	IDLE			LOADED			LOCKED			BREAK	PART NUMBER: D107	CONFIDENTIAL: DO NOT DUPLICATE OR DISCLOSE TO THIRD PARTIES WITHOUT WRITTEN PERMISSION OF FASCO MOTORS GROUP, AC MOTOR/BLOWER DIVISION.										
		R.P.M.	AMP.	WATT	IN.OZ.	R.P.M.	AMP.	WATT	IN.OZ.	AMP.	WATT	IN.OZ.	APPLICATION: HEATER	MOTOR TYPE					DRAWING NUMBER				
CUSTOMER APPROVAL: SIGNED: DATE:	208 V	1702	.34	42	10.4	600	.49	75	7.5	.50	78	14.1	MOTOR WEIGHT: 2.91 LBS.	SHADED POLE					7173 0291				
	240 V	1718	.39	53	14.3	600	.57	97	13.6	.59	105	19.3	ENVIRONMENT: DRY	B	LA	FR	A	S	C	E	B	A	REV.
														FINISH COLOR: BLACK	00	73	30	V	03	GY	5	3	0
													DATE DRAWN: 12-19-2001										

If Printed, this is an Uncontrolled Document.