

NOTES

1. THRU AIR SPACING BETWEEN WIRE AND METAL .094 MIN.
2. TIE BOLT TORQUE TOLERANCE 7 - 12 IN. LBS.
3. FOR WASHER SET-UP, SEE CHART C600 0279, DETAIL "A".
4. SALES TO SPECIFY ON P.O. WHICH PACK TO USE.

ECO	REV.	DATE	SPEC/CHECK
632152	3	12-9-03	LDC/LDC
632283	4	1-8-04	LDC/XXX
635803	5	03-15-06	GAE/GAE
641090	6	02-22-10	GAE/GAE

71x xxx,R

A. SEE PACKAGING MANUAL PAGE 3 FOR PACKAGING PROCEDURES.

1 MOTOR/CARTON;
15 MOTORS/LAYER;
5 LAYERS/PALLET;
75 MOTORS/PALLET.

B. SEE DRAWING 8785 6079 SH. 5 FOR PALLET LAYOUT.
C. CENTER LABEL, 6119 6599, ON END OF CARTON.
D. PLACE PAMPHLET, 6122 4579, IN CARTON WITH MOTOR.

71x xxxC

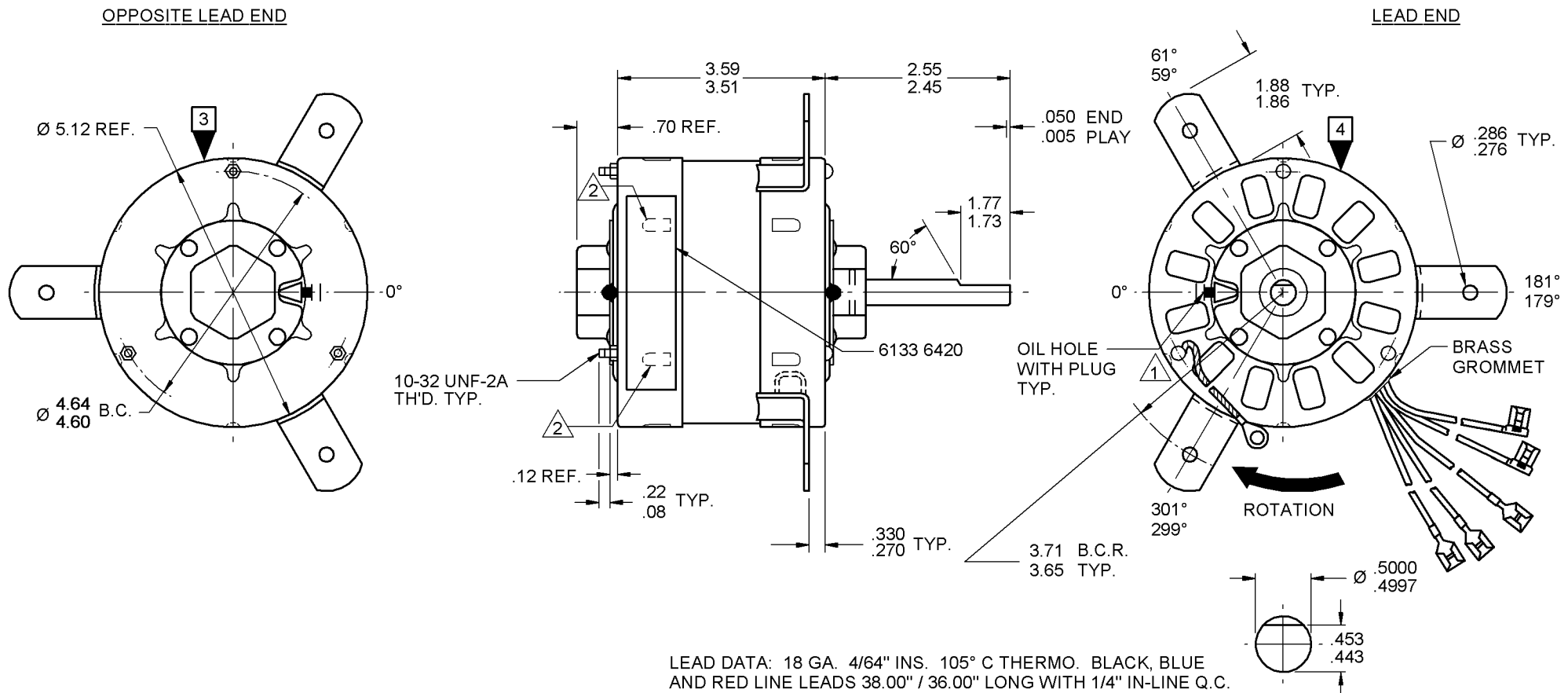
71x xxxZ

If Printed, this is an Uncontrolled Document

PRODUCTION TEST AT IDLE 230 VOLTS 60 HZ		MOTOR SPEED	PERFORMANCE TEST 265 VOLTS 60 HZ 1 PH 1/20 HP CAP. 4 MFD 370 VAC											
AMP	WATT		IDLE			LOADED				LOCKED			BREAK	
			RPM	AMP	WATT	OZ/IN	RPM	AMP	WATT	OZ/IN	AMP	WATT	OZ/IN	
.34	— .28	50.6 — 41.4	HIGH	1184	.34	59	53	1100	.41	92	32	.58	153	70
.21	— .17	36.3 — 29.7	MED.	1178	.21	42	28	1100	.24	58	18	.35	92	39
.18	— .14	31.9 — 26.1	LOW	1174	.17	36	21	1100	.19	47	14	.29	75	31

HI-POT TEST 2000 VOLTS
MAX LEAKAGE CURRENT 5 mA

7186 0016 MA



7186 0016 = MADE IN U.S.A.
7186 0016R = ASSEMBLED IN MEXICO

FASCO FASCO INDUSTRIES, INC. MOTOR DIVISION

MODEL D1058

V. 265 HZ 60 PH 1 AO ROT
HP 1/20 AMP .45 CAP 4 MFD 370 VAC
RPM 1100 (3 SPD) TYPE U186B1 NO. 7186-0016
40° C AMB INS CL B

THERMALLY PROTECTED

CONNECTION DIAGRAM
BRN — CAPACITOR
WH — LINE
BLK-HI — LINE
BLU-MED — LINE
RED-LO — LINE

SAFETY WARNING
THIS MOTOR MUST BE GROUNDED IN ACCORDANCE WITH LOCAL OR NATIONAL ELECTRICAL CODES TO PREVENT POSSIBLE INJURY DUE TO ELECTRICAL SHOCK

DATE/BAR CODE AREA PER 8882 6003

6133 6420,R REV. 3

SPECIAL INSTRUCTIONS: SHAFT IS BONDERIZED. ROTOR IS RUSTPROOFED. ⚠️ GROUND TERMINAL MUST NOT EXTEND BEYOND MOTOR PERIPHERY. ⚠️ LANCES MUST BE COMPLETELY COVERED BY NAMEPLATE. PAMPHLET PACKED WITH MOTOR.

MOTORS PACKED MAX. PER SKID: ___ PALLET PACK, 75 CARTON PACK, ___ TRAY PACK.

CUSTOMER: FASCO DISTRIBUTING CO. PROPRIETARY: DO NOT DUPLICATE OR DISCLOSE TO THIRD PARTIES WITHOUT WRITTEN PERMISSION OF FASCO IND. INC., ELDON MO.

FASCO INDUSTRIES, INC. MOTOR DIVISION ELDON PLANT

PART NUMBER: D1058

APPLICATION: DIST. SALES MOTOR TYPE P.S.C. MOTOR NUMBER 7186 0016 R REV. 6

FINISH COLOR: GRAY MOTOR WEIGHT: 8.0 LBS. ENVIRONMENT: WET INSULATION CLASS: B

B	LA	FR	A	S	C	E	B	A
00	86	13	V	05	AG	7	8	0

LOCATE EDGE OF NAMEPLATE .05 FROM EDGE OF OPP. LEAD END COVER TO READ RIGHT FROM OPP. LEAD END OF MOTOR. CENTER AT 0°.
SIZE 3.50 X 1.00